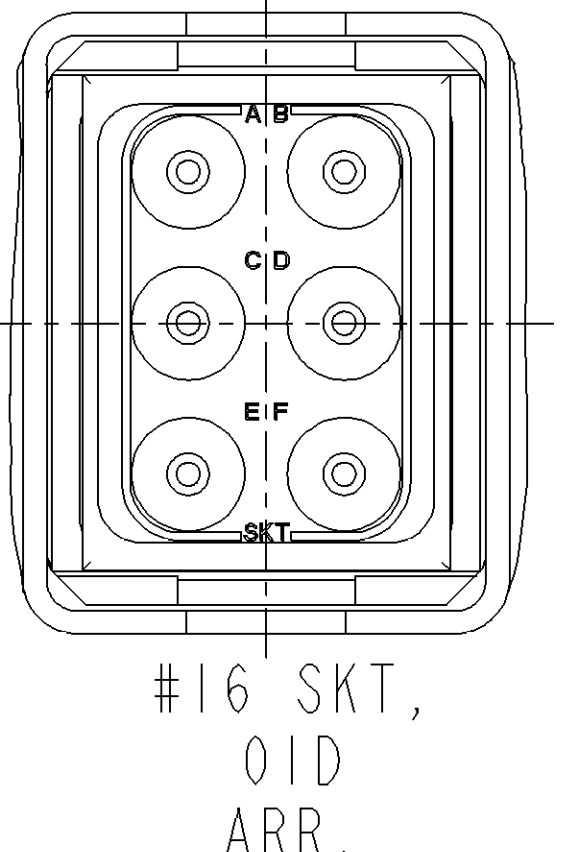
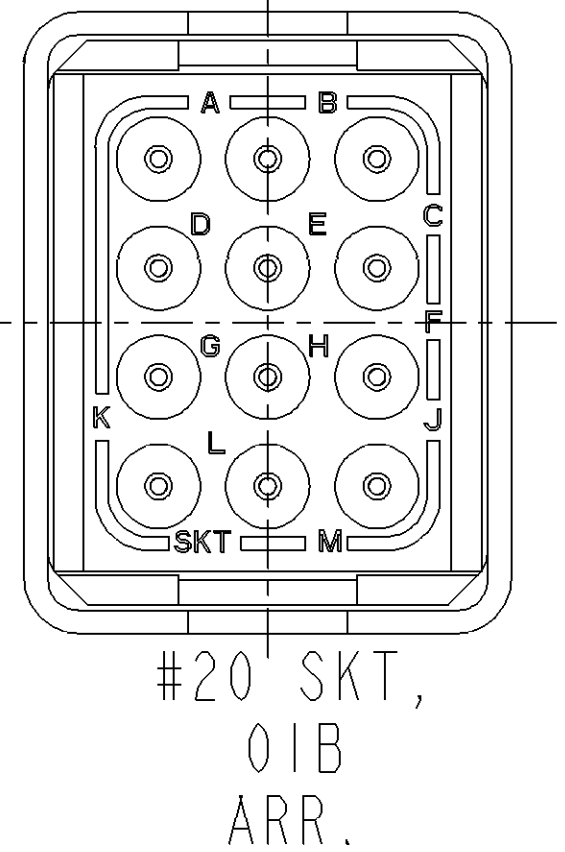
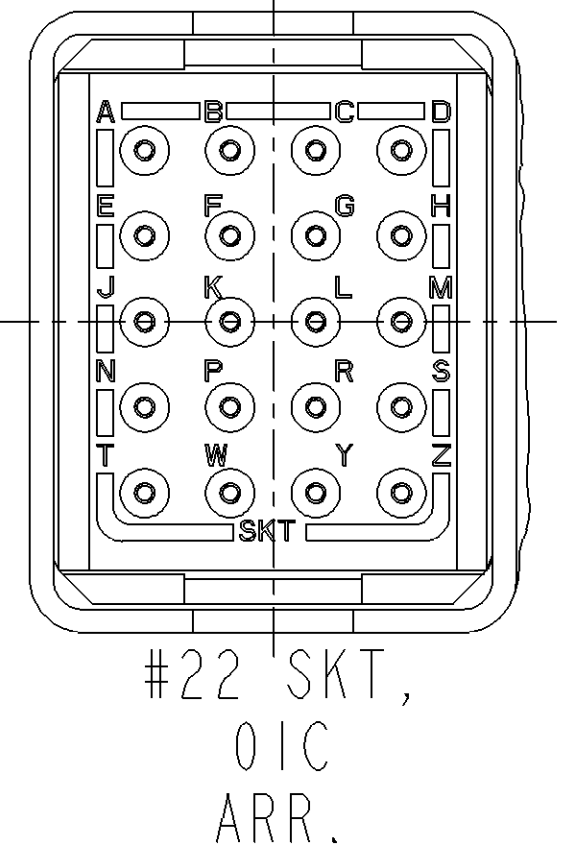
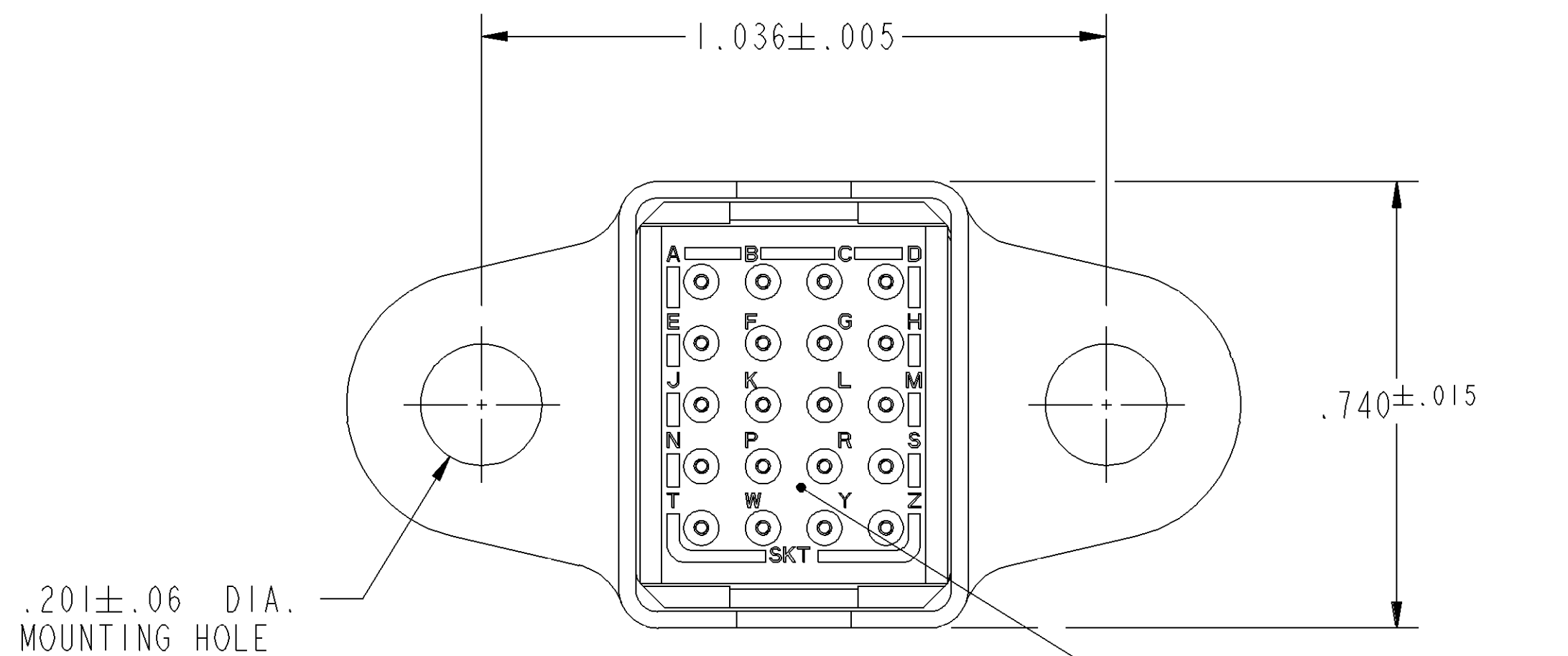
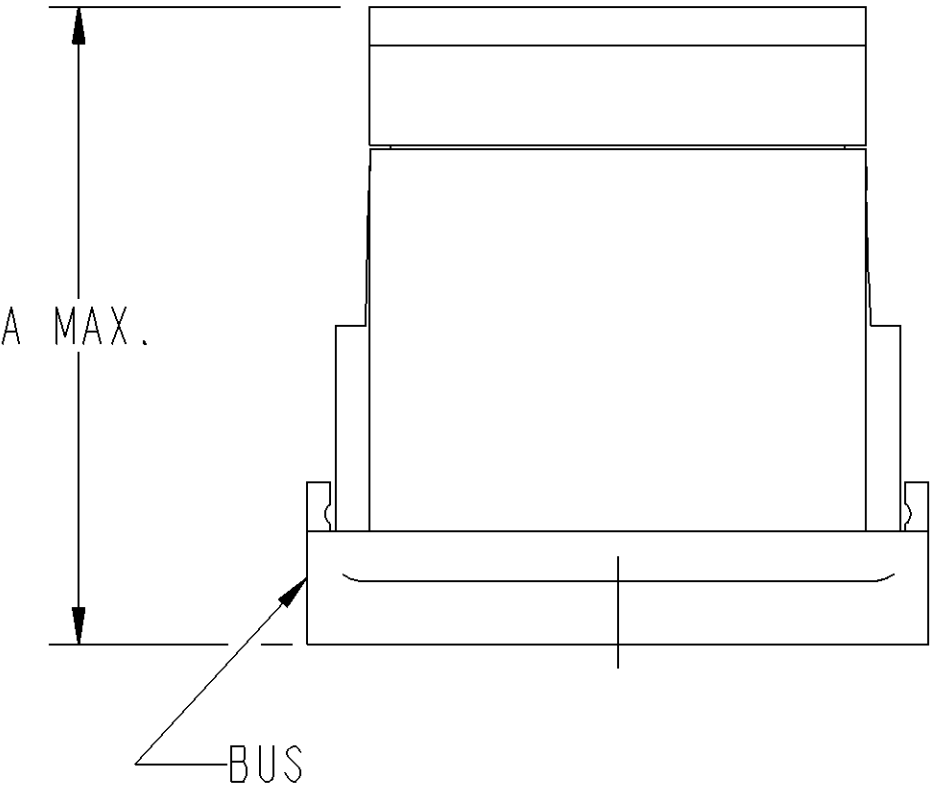
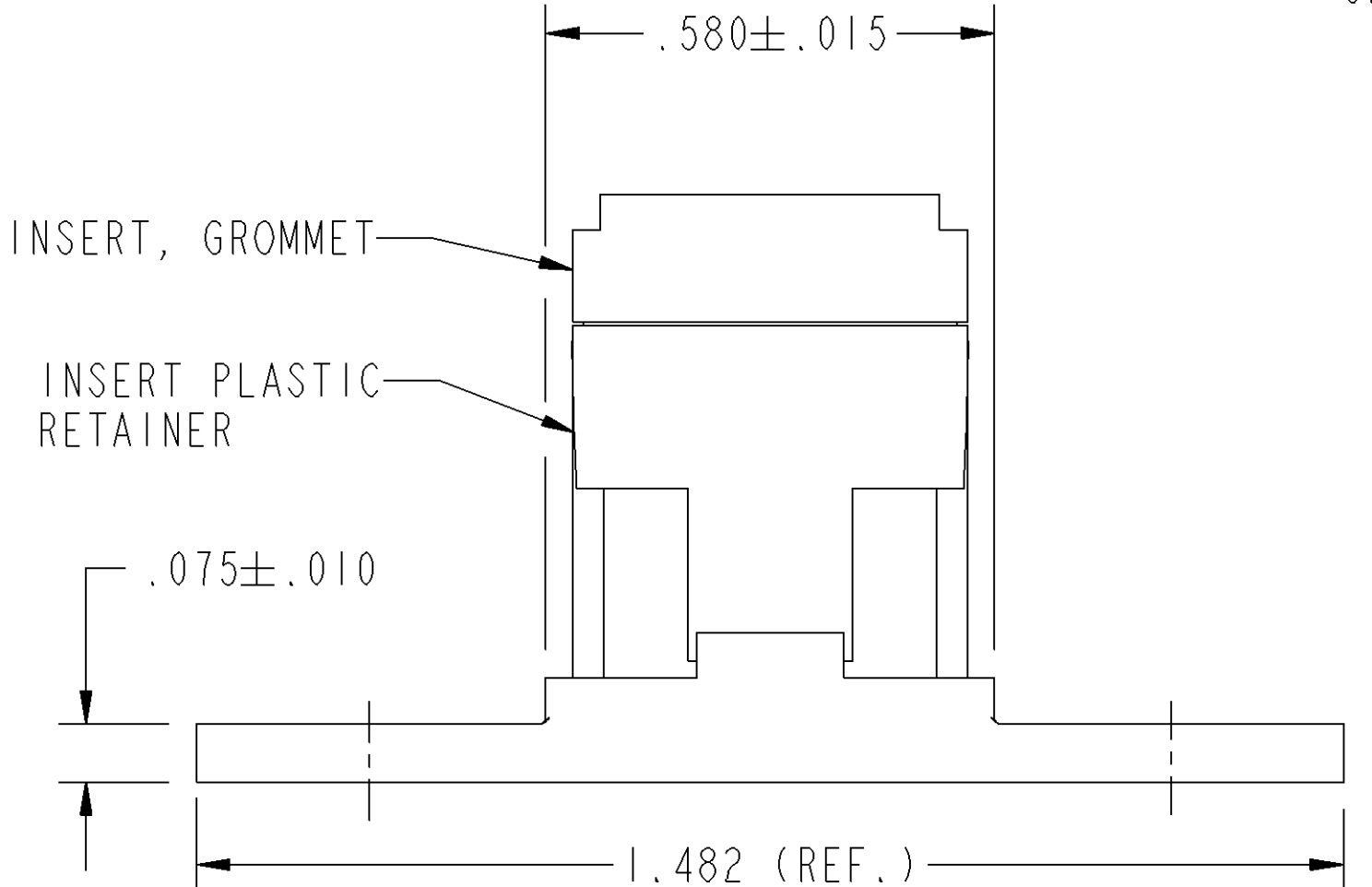


REV	CTJ7**K***
B	

REVISION HISTORY			
REV	DESCRIPTION	DATE	APPROVED
N/C	NEW RELEASE PER E.O. 83654	770304	JDM
A	REVISED PER E.O. 85044	850508	L. STOLLE
B	REDRAWN PER E.O. D0028	120323	PB



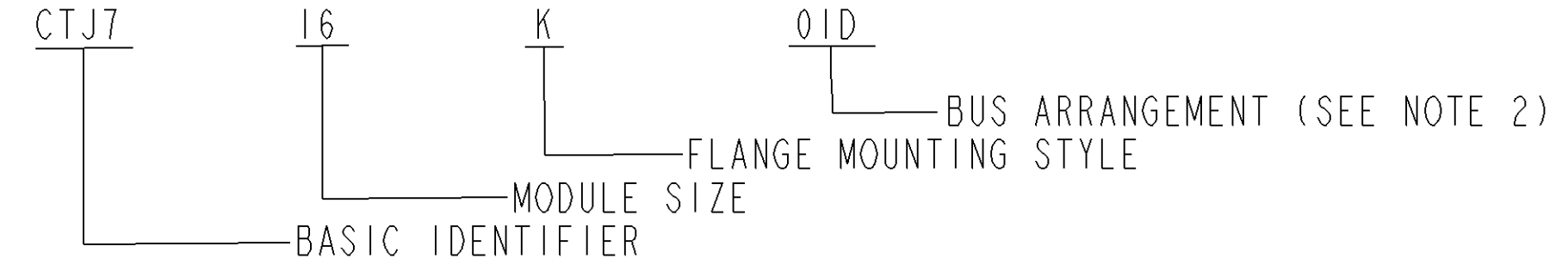
GROMMET VIEWS



- 7. FOR GROUNDING JUNCTIONS WITH #12 CONTACT SEE SEPARATE ENVELOPE DRAWING #CTJ712K01E.
- 6. FINISH: BUS, TIN.
- 5. REQUIRED CONTACT TOOL PART NUMBER:
 INSERTION/EXTRACTION TOOL: 81515-23 (SIZE 22)
 MI5570-20 (SIZE 20)
 MI5570-16 (SIZE 16)

SIZE	PART NUMBER (***)	MAX. A
22	CTJ722K01C	.830
20	CTJ720K01B	.955
16	CTJ716E01D	.955

- 4. FOR CONTACT DATA SEE ENVELOPE DRAWING 1625-1-0000.
- 3. PART NUMBER BREAK DOWN: (EXAMPLE)

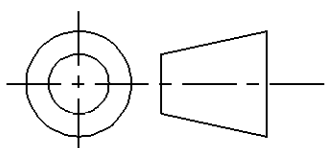


- 2. BUS IDENTIFICATION SCREENED ON MODULE ASSEMBLY.
- 1. DIMENSIONS ARE IN INCHES UNLESS OTHERWISE SPECIFIED.

NOTES: UNLESS OTHERWISE SPECIFIED.

TOLERANCE UNLESS OTHERWISE SPECIFIED
 DIMENSIONS ARE IN INCHES
 DECIMALS .xxx ± .005; .xxxx ± .0005
 ANGLES: X° ± .5°; X.X° ± .25°
 T.I.R. .010
 PARTS TO BE FREE OF BURRS & SHARP EDGES

THIRD ANGLE PROJECTION



SIGNATURE & DATE	
DR	770304
CHK	770309
PE	MACDONALD 770314
APPD	A. RENGIFO 120323
MATERIAL	
FINISH	
MATERIAL CODE	

ALL SHEETS ARE THE SAME REVISION STATUS

DEUTSCH
 DEFENSE/AEROSPACE OPERATION
 250 EDDIE JONES WAY
 OCEANSIDE, CA 92058

TITLE: **MODULE**
 CTJ GROUNDING JUNCTION
 FLANGE MOUNTING, ENVIRONMENTAL
 ENVELOPE

SIZE	CAGE CODE	DWG NO
C	11139	CTJ7**K***

SCALE 3.500 WEIGHT SHEET 1 OF 1

Mouser Electronics

Authorized Distributor

Click to View Pricing, Inventory, Delivery & Lifecycle Information:

[TE Connectivity:](#)

[M81714/63-20F](#)