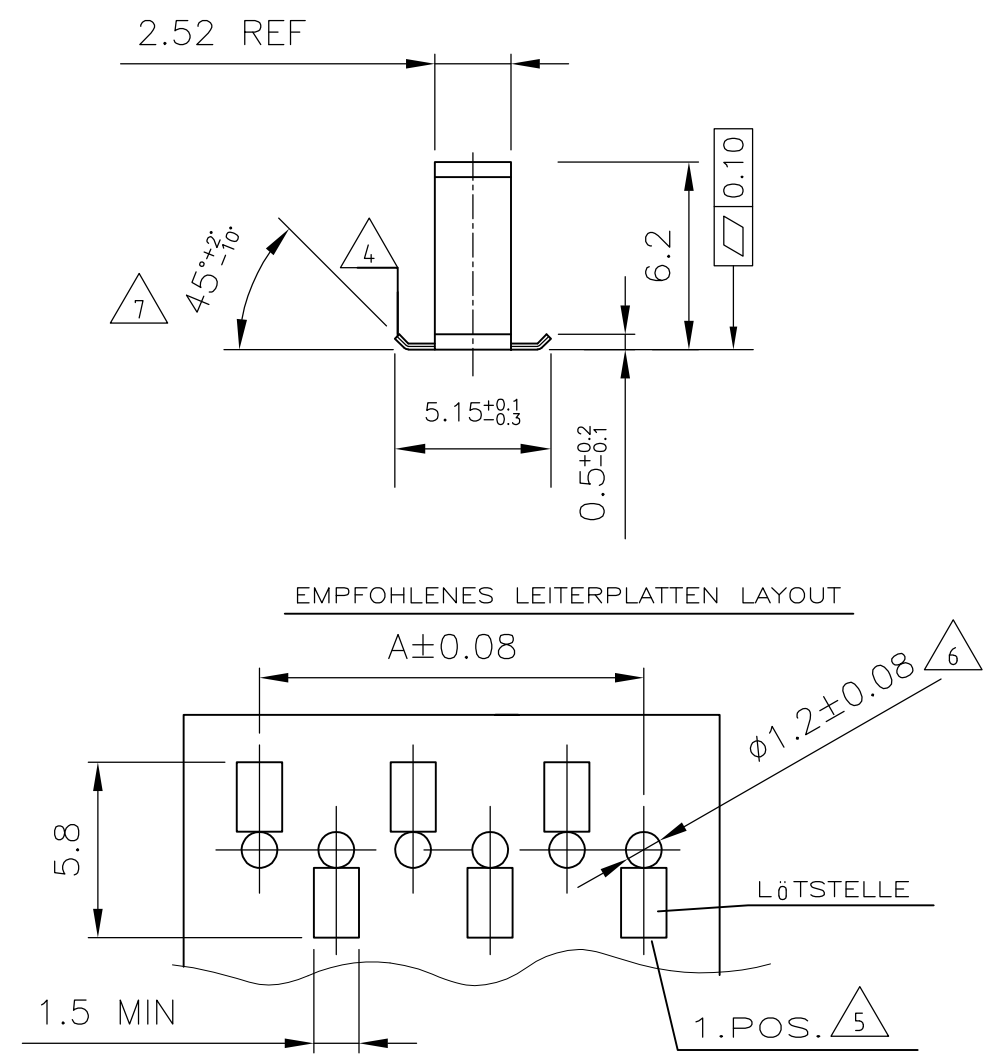
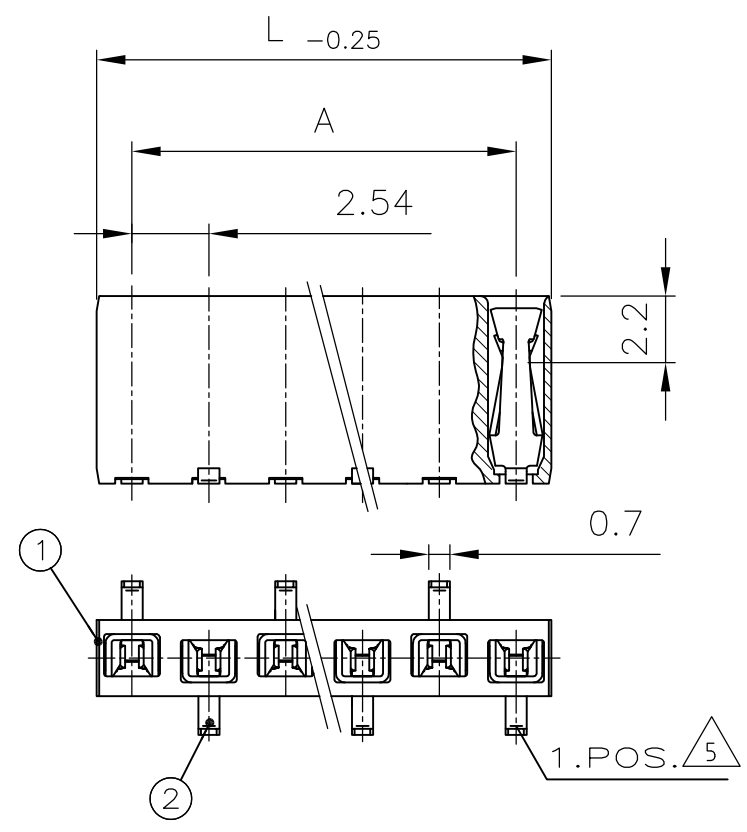


THIS DRAWING IS UNPUBLISHED
 RELEASED FOR PUBLICATION AUG , 1998.
 © COPYRIGHT 2010 By - ALL RIGHTS RESERVED.

LOC	DIST	REVISIONS			
P	LTR	DESCRIPTION	DATE	DWN	APVD
IR	-	S1	TOLERANCE UPDATED & NOTE 7 ADDED	12SEP2013	KJK RP

Polz.	L _{-0.25}	A
-	-	-
-	-	-
3	7.88	5.08
4	10.42	7.62
5	12.96	10.16
6	15.50	12.7
7	18.04	15.24
8	20.58	17.78
9	23.12	20.32
10	25.66	22.86
11	28.20	25.4
12	30.74	27.94



1 EDGE CONTACT KONTAKTPUNKT

2 CONTACT RANGE: 0.8µm GOLD OVER 1.3µm Ni
 SOLDERING RANGE: 2.5µm TIN OVER 1.3µm Ni
 KONTAKTBEREICH: 0.8µm GOLD ÜBER 1.3µm Ni
 LÖTBEREICH: 2.5µm ZINN ÜBER 1.3µm Ni

3 CAN BE PLUGGED IN WITH MODU II PINS ø0.63 OR □0.63
 TOP OR BOTTOM ENTRY.
 STECKBAR MIT MODU II STIFTEN ø0.63 ODER □0.63
 TOP ODER BOTTOM ENTRY.

4 PLANE OF SECTION BLANK
 SCHNITTFLÄCHE BLANK

5 SITUATION OF THE FIRST CONTACT ATTENTION.
 LAGE DES 1. KONTAKTS BEACHTEN

6 ONLY WITH THE BOTTOM ENTRY
 NUR BEI BOTTOM ENTRY

7 BEND ANGLE WILL BE 80°±5° WHEN PRODUCED AT
 DIFFERENT EQUIPMENT (SEMI-AUTOMATIC) DUE TO
 CAPACITY OR MIX OF LOAD.

POS.	STÜCK / PIECE	BENENNUNG EINZELTEIL PART DESCRIPTION	WERKSTOFF MATERIAL	OBERFLÄCHE / FARBE SURFACE / COLOR	SI No
2	-	HV 100 KONTAKT / HV 100 CONTACT	Cu Sn		2
1	-	HV 100 GEHÄUSE / HV 100 HOUSING	LCP	SCHWARZ / BLACK	1

THIS DRAWING IS A CONTROLLED DOCUMENT.		DWN A.HO 06.02.95	TE Connectivity HV 100 RECEPTACLE CONNECTOR, SMD, SINGLE ROW, TUBE PACKAGING																				
DIMENSIONS: mm		CHK M.SCHAARSCHMIDT 06.02.95																					
TOLERANCES UNLESS OTHERWISE SPECIFIED: TOL ± 0.2		APVD -	NAME																				
<table border="1"> <tr><td>0</td><td>PLC</td><td>±</td></tr> <tr><td>1</td><td>PLC</td><td>± -</td></tr> <tr><td>2</td><td>PLC</td><td>± -</td></tr> <tr><td>3</td><td>PLC</td><td>± -</td></tr> <tr><td>4</td><td>PLC</td><td>± -</td></tr> <tr><td colspan="2">ANGLES</td><td>± 3'</td></tr> </table>		0	PLC	±	1	PLC	± -	2	PLC	± -	3	PLC	± -	4	PLC	± -	ANGLES		± 3'	PRODUCT SPEC 108-19056	SIZE		
0	PLC	±																					
1	PLC	± -																					
2	PLC	± -																					
3	PLC	± -																					
4	PLC	± -																					
ANGLES		± 3'																					
MATERIAL SEE TABLE		FINISH SEE TABLE	APPLICATION SPEC -	CAGE CODE A300779	DRAWING NO C-966657																		
CUSTOMER DRAWING			RESTRICTED TO -	SCALE 2:1	SHEET 1 OF 2																		
			WEIGHT -	REV S1																			

Mouser Electronics

Authorized Distributor

Click to View Pricing, Inventory, Delivery & Lifecycle Information:

[TE Connectivity:](#)

[966657-5](#)