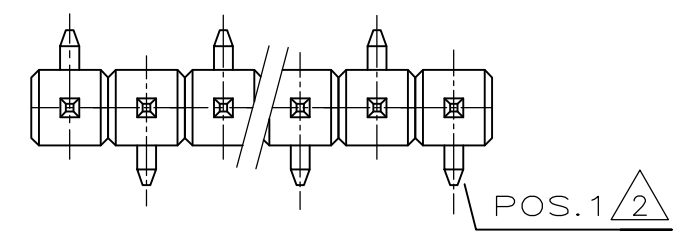
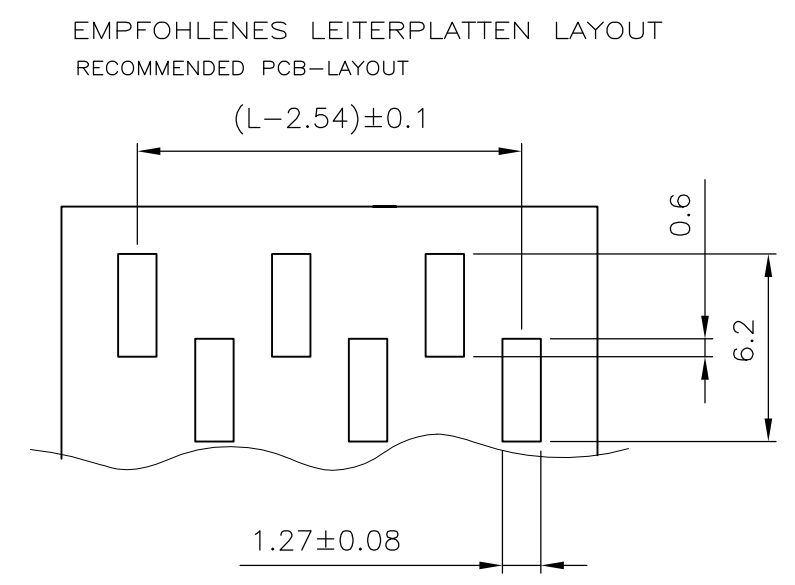
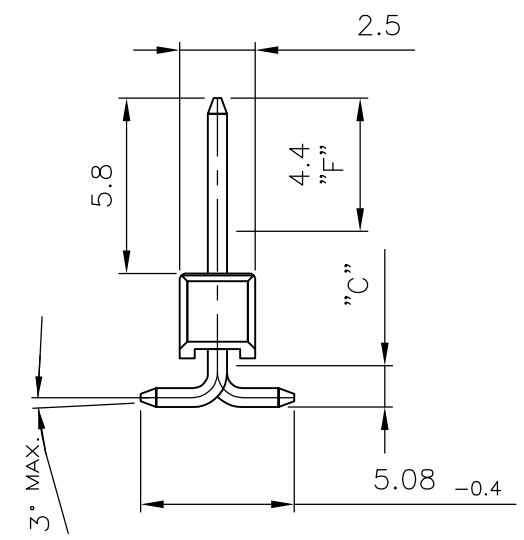
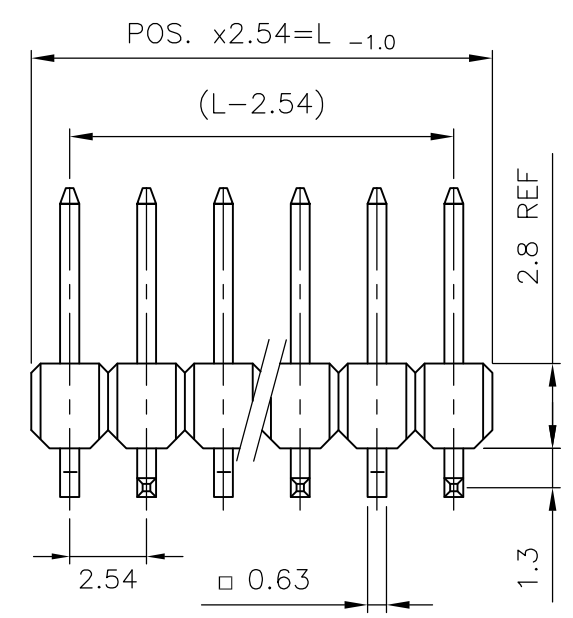


THIS DRAWING IS UNPUBLISHED
 RELEASED FOR PUBLICATION MAR , 1995.
 © COPYRIGHT 2010 By - ALL RIGHTS RESERVED.

LOC	DIST	REVISIONS			
P	LTR	DESCRIPTION	DATE	DWN	APVD
IR	-	D	CONTACT MATERIAL & PLATING CHANGE	20JUN2014	PS JK

Pos.	L _{-0.9}
-	-
3	7.62
4	10.16
5	12.7
6	15.24
7	17.78
8	20.32
9	22.86
10	25.4
11	27.94
12	30.48
13	33.02
14	35.56
15	38.1
16	40.64
17	43.18



1 MATING SIDE: AREA "F" MIN 0.7µm PdNi + MIN 0.1µm GOLD FLASH OVER 1.27µm NICKEL
 SOLDER SIDE: 3.0 - 5.0 µm TIN OVER 1.27µm NICKEL

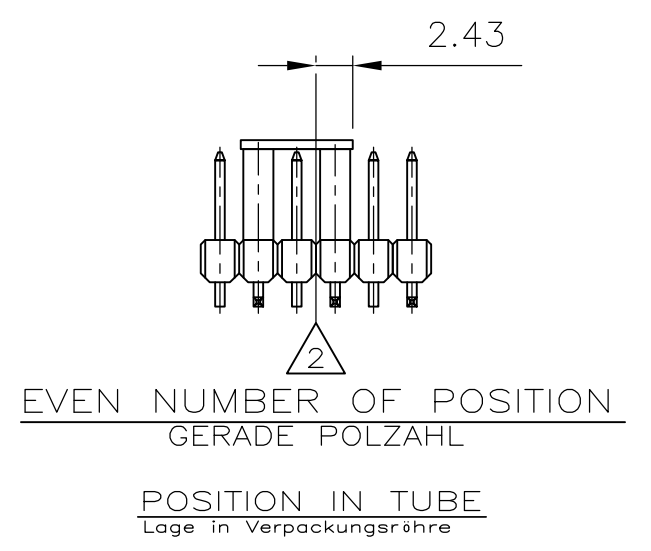
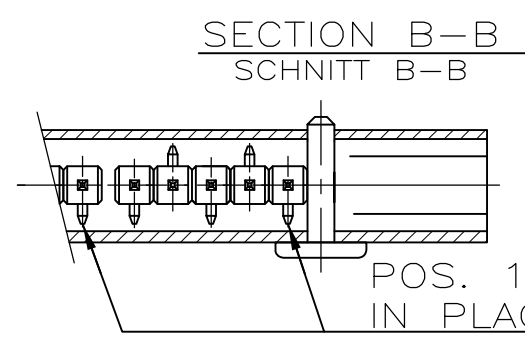
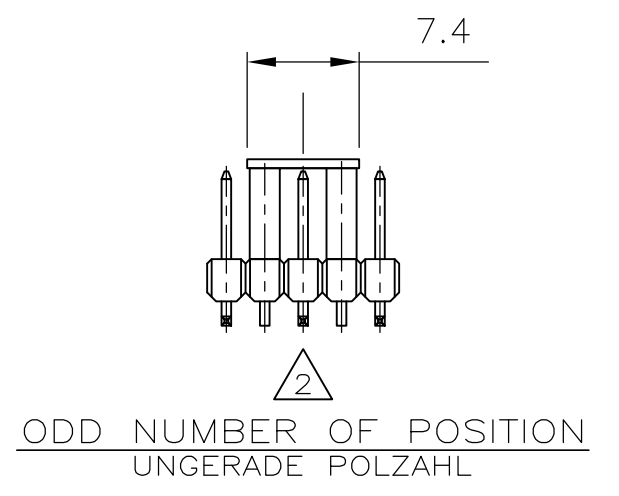
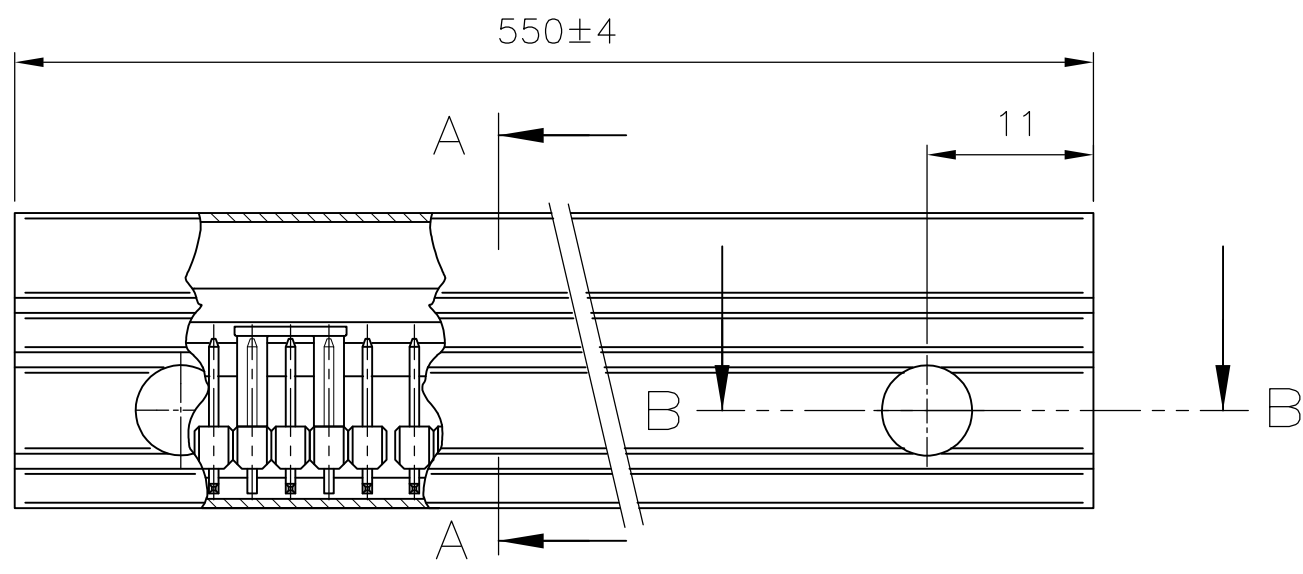
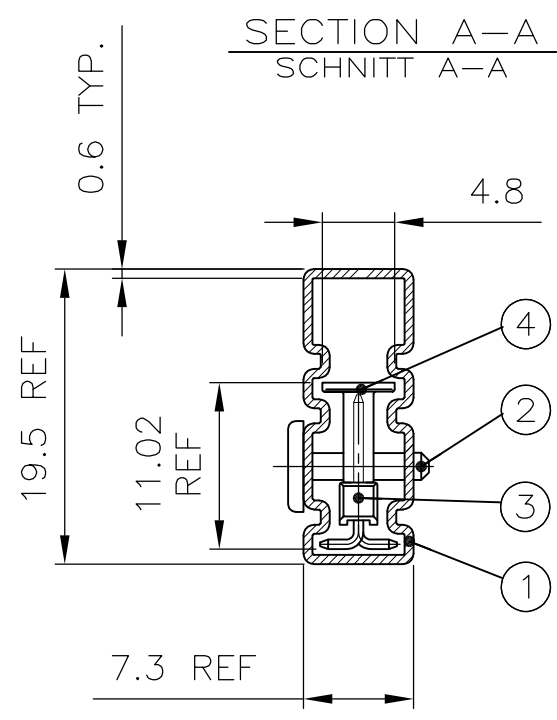
2 PAY ATTENTION THE POSITION OF 1st CONTACT

KONTAKTSTIFT / CONTACT PIN	CuZn	1	2
STIFTGEHÄUSE / PIN HOUSING	PCT	SCHWARZ / BLACK	1
BENENNUNG EINZELTEIL PART DESCRIPTION	WERKSTOFF MATERIAL	OBERFLÄCHE / FARBE SURFACE / COLOR	SI No

THIS DRAWING IS A CONTROLLED DOCUMENT.		DWN A.HO 24.03.95	TE Connectivity															
DIMENSIONS: mm		CHK M.SCHAARSCHMIDT 24.03.95																
TOLERANCES UNLESS OTHERWISE SPECIFIED: TOL ± 0.2		APVD -	NAME AMPMODU II PINHEADER, SINGLE ROW, SMD-WITH PACKING TUBE.															
<table border="1"> <tr><td>0 PLC</td><td>± -</td></tr> <tr><td>1 PLC</td><td>± -</td></tr> <tr><td>2 PLC</td><td>± -</td></tr> <tr><td>3 PLC</td><td>± -</td></tr> <tr><td>4 PLC</td><td>± -</td></tr> <tr><td>ANGLES</td><td>± -</td></tr> <tr><td>FINISH</td><td>± -</td></tr> </table>		0 PLC	± -	1 PLC	± -	2 PLC	± -	3 PLC	± -	4 PLC	± -	ANGLES	± -	FINISH	± -	PRODUCT SPEC 108-18012	RESTRICTED TO	
0 PLC	± -																	
1 PLC	± -																	
2 PLC	± -																	
3 PLC	± -																	
4 PLC	± -																	
ANGLES	± -																	
FINISH	± -																	
MATERIAL SEE TABLE		APPLICATION SPEC -	SIZE A3	CAGE CODE 00779	DRAWING NO C-966306													
		WEIGHT -	SCALE 2:1															
		CUSTOMER DRAWING		SHEET 1 OF 2														
				REV D														

THIS DRAWING IS UNPUBLISHED
 RELEASED FOR PUBLICATION MAR , 1995.
 © COPYRIGHT 2010 By - ALL RIGHTS RESERVED.

LOC		DIST		REVISIONS					
IR		-		P	LTR	DESCRIPTION	DATE	DWN	APVD
				-	-	SEE SHEET 1	-	-	-



- 5 OBSOLETE
- 4 OBSOLETE PARTS: OBSOLETE CIS STREAMLINING PER D.RENAUD/D.SINISI
- 3 SEE TABLE SIEHE TABELLE
- 2 CENTERLINE OF PIN HEADER MITTELLINIE DER STIFTLAISTE
- 1 AMPMODU II SMD-PIN HEADER SEE SHEET 1 OF 2. AMPMODU II SMD-STIFTLAISTE SIEHE BLATT 1 VON 2.

POS. 1 OF PIN HEADER IN PLACE 5 POS. SHOWN
 POS. 1 DER STIFTLAISTE HIER 5 POL. GEZEICHNET

1-966 306-2	12	17	
1-966 306-0	10	20	
966 306-9	9	23	OBSOLETE 4
966 306-8	8	25	
4 966 306-7	7	29	
966 306-6	6	34	
5 966 306-5	5	41	
966 306-4	4	51	
966 306-3	3	69	
BESTELL-NR. PART NO.	POLZ. PROREIHE POLZ. PER ROW	VERPACKUNGS-EINHEIT PACKING UNIT	

S.TABELLE SEE TABLE	4	3	ADAPTER	PCT-GV	SCHWARZ / BLACK	4
	3	3	AMPMODU II STIFTL., SMD	1	1	3
	2	2	VERSCHL. STIFT / LOCKS PIN	PP	ROT / RED	2
	1	1	VERPACKUNGSROHR / PACKING PIPE	ANTI-STATISCH	TRANSPARENT	1
ORDER-NR	POS.	STÜCK / PIECE	BENENNUNG EINZELTEIL PART DESCRIPTION	WERKSTOFF MATERIAL	OBERFLÄCHE / FARBE SURFACE / COLOR	SI No

THIS DRAWING IS A CONTROLLED DOCUMENT.

DIMENSIONS: mm	TOLERANCES UNLESS OTHERWISE SPECIFIED: TOL ± 0.2	DWN A.HO 24.03.95	STE TE Connectivity
	0 PLC ± - 1 PLC ± - 2 PLC ± - 3 PLC ± - 4 PLC ± - ANGLES ± - FINISH	CHK M.SCHAARSCHMIDT 24.03.95	
MATERIAL SEE TABLE	SEE TABLE	APVD -	NAME AMPMODU II PINHEADER, SINGLE ROW, SMD-WITH PACKING TUBE.
		PRODUCT SPEC 108-18012	SIZE A3 CAGE CODE 00779 DRAWING NO C-966306 RESTRICTED TO -
		APPLICATION SPEC -	SCALE 2:1 SHEET 2 OF 2 REV D
		WEIGHT -	CUSTOMER DRAWING

Mouser Electronics

Authorized Distributor

Click to View Pricing, Inventory, Delivery & Lifecycle Information:

[TE Connectivity:](#)

[1-966306-0](#)