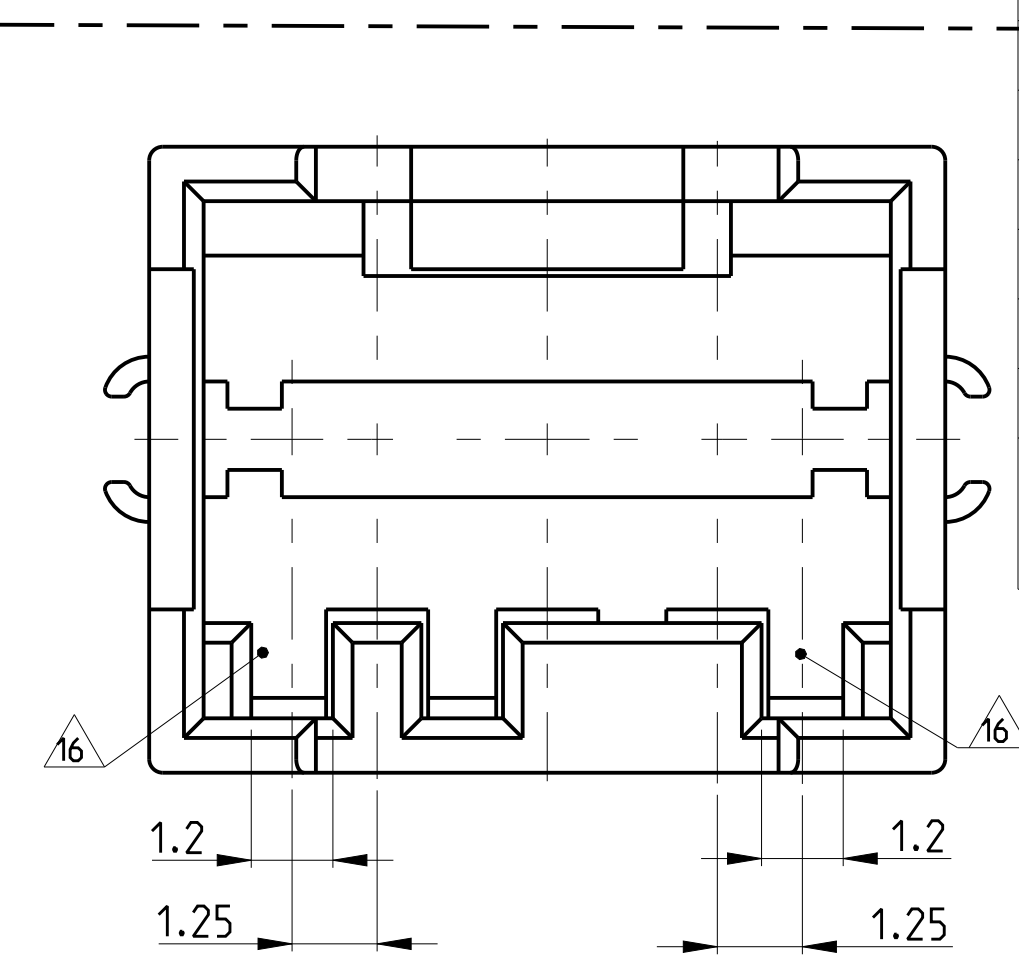


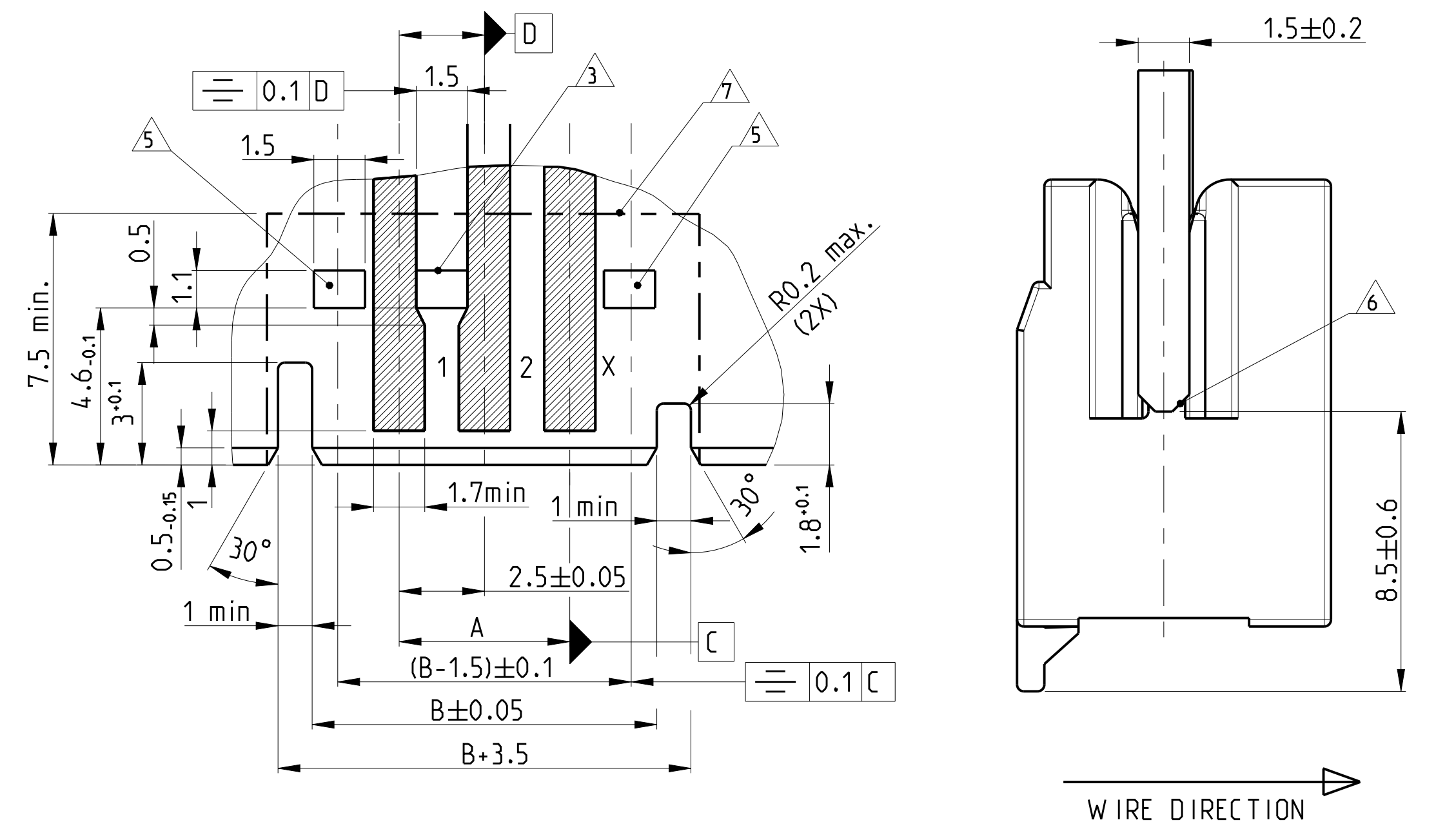
SECTION A-A

- 1 KODIERUNG ZW ISCHEN KAMMER 1 UND 2 DARGESTELLT (AUF ANFRAGE)
KEYING SHOWN BETWEEN CAVITY 1 AND 2 (ON REQUEST)
- 2 RASTHAKEN BEI ERSTER UND LETZTER KAMMER IMMER VORHANDEN
LOCKING CLIP ALWAYS ON FIRST AND LAST CAVITY
- 3 ZUSATZLICHE RASTHAKEN ZW ISCHEN KAMMER-NR.SIEHE BLATT 2 VON 2
ADDITIONAL LOCKING CLIP BETWEEN CAVITY NO SEE SHEET 2 OF 2
- 4 KAMMERNUMMER
CAVITY NO
- 5 RASTFENSTER IMMER VORHANDEN
LOCKING WINDOW ALWAYS PRESENT
- 6 LEITERPLATTE VORZUGSWEISE ANGEFAST
PCB CHAMFERED PREFERABLE
- 7 PLATZBEDARF FOR RAHMEN
AREA FOR FRAME
- 8 PR ÜF ÖFFNUNGEN
INSPECTION HOLES
- 9 KLEMMFEDERN NIGHT VOL AUSGESDPRITZTE KONTUR ZUL ßSSIG
CLIPS.SHAPE NOT FULLY MOLDED PERMISSIBLE

- 10 Passende Gegenstecker siehe PN 829 868/966 194
MATING PARTS SEE PN 829 868/966 194
- 12 WITH STROKE LINE DRAWN VERSIONS NOT YET AVAILABLE
- 13 14 15 SIEHE BLATT 2 VON 2
SEE SHEET 2 OF 2
- 16 Aubennuten eingeengt.
Varianten siehe Blatt 2)
GROOVES ON OUTSIDE NARROWED.VERSIONS SEE SHEET 2
- 17 GLOW WIRE TEST 750°C ACC.DIN EN 60695-2-11
WITHOUT FLAME
- 18 OBSOLETE
- 19 PRELIMINARY PART. NOT FOR PRODUCTION
- 20 HOOK DIMENSION, NOT THE DIMENSION FOR MIDDLE WALL



LOC		DIST		REVISIONS			
A	I	P	LTR	DESCRIPTION	DATE	DWN	APVD
		C 17		REVISED PER ECR-19-001078	1FEB2019	RS	LZ
		C 18		ECR-19-011325	18 JUL 2019	LZ	FL
		C 19		ECR-20-000612	17 JAN 2020	SM	FL
		C 20		ECR-21-104679	09 JUN 2021	PJ	FL



TOLERANCE NOT SPECIFIED ±0.1

POS	DIM C	DIM B	DIM A	KEYING VERSIONS SEE SHEET 2 OF 2				REV	HOUSING PART NO
20	49.5	52.6	47.5	-	-	-	-	1-	964576-0
19	47	50.1	45.0	-	-	-	-	1- 18	964576-9
18	44.5	47.6	42.5	-	-	-	-	1-	964576-8
17	42	45.1	40.0	-	-	-	-	2- 1-	964576-7
16	39.5	42.6	37.5	-	-	-	-	1-	964576-6
15	37	40.1	35.0	-	-	-	-	2- 18 1-	964576-5
14	34.5	37.6	32.5	-	-	-	-	1-	964576-4
13	32	35.1	30.0	-	-	-	-	1- 18	964576-3
12	29.5	32.6	27.5	-	-	-	-	6- 18 5- 4- 18 3- 2- 1- 18	964576-2
11	27	30.1	25.0	-	-	-	-	2- 1-	964576-1
10	24.5	27.6	22.5	-	-	-	-	3- 18 2- 1- 18	964575-0
9	22	25.1	20.0	-	-	-	-	2- 1-	964575-9
9	22	25.1	20.0	-	9-	-	-	A	964575-9 17
8	19.5	22.6	17.5	-	9-	-	-	A	964575-8 17
8	19.5	22.6	17.5	-	-	-	-	2- 1-	C 964575-8
7	17	20.1	15.0	-	9- 19	-	-	A	964575-7 17
7	17	20.1	15.0	-	-	-	-	4- 18 3- 2- 1-	C 964575-7
6	14.5	17.6	12.5	-	-	-	-	3- 2- 1-	C 964575-6
5	12	15.1	10.0	-	9- 8- 7-	-	-	A	964575-5 17
5	12	15.1	10.0	-	-	-	-	4- 3- 18 2- 1-	C 964575-5
4	9.5	12.6	7.5	-	9- 19	-	-	C	964575-4 17
4	9.5	12.6	7.5	-	-	-	-	4- 18 3- 2- 1-	C 964575-4
3	7	10.1	5.0	-	9-	-	-	2- 18 1-	C 964575-3
3	7	10.1	5.0	-	-	-	-	4-	C 964575-3 17
3	7	10.1	5.0	-	8- 7-	-	-	3-	A 964575-3 17

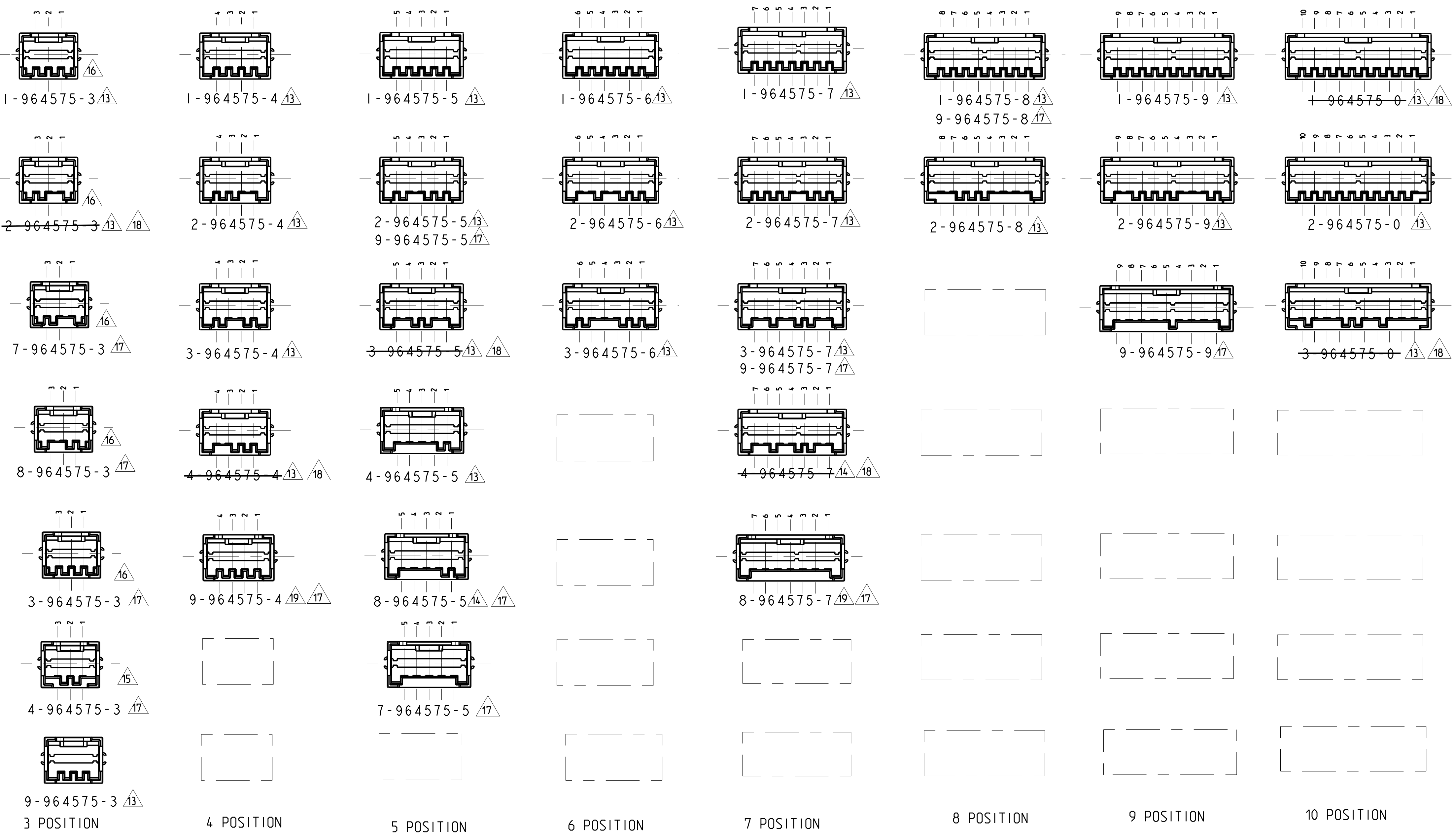
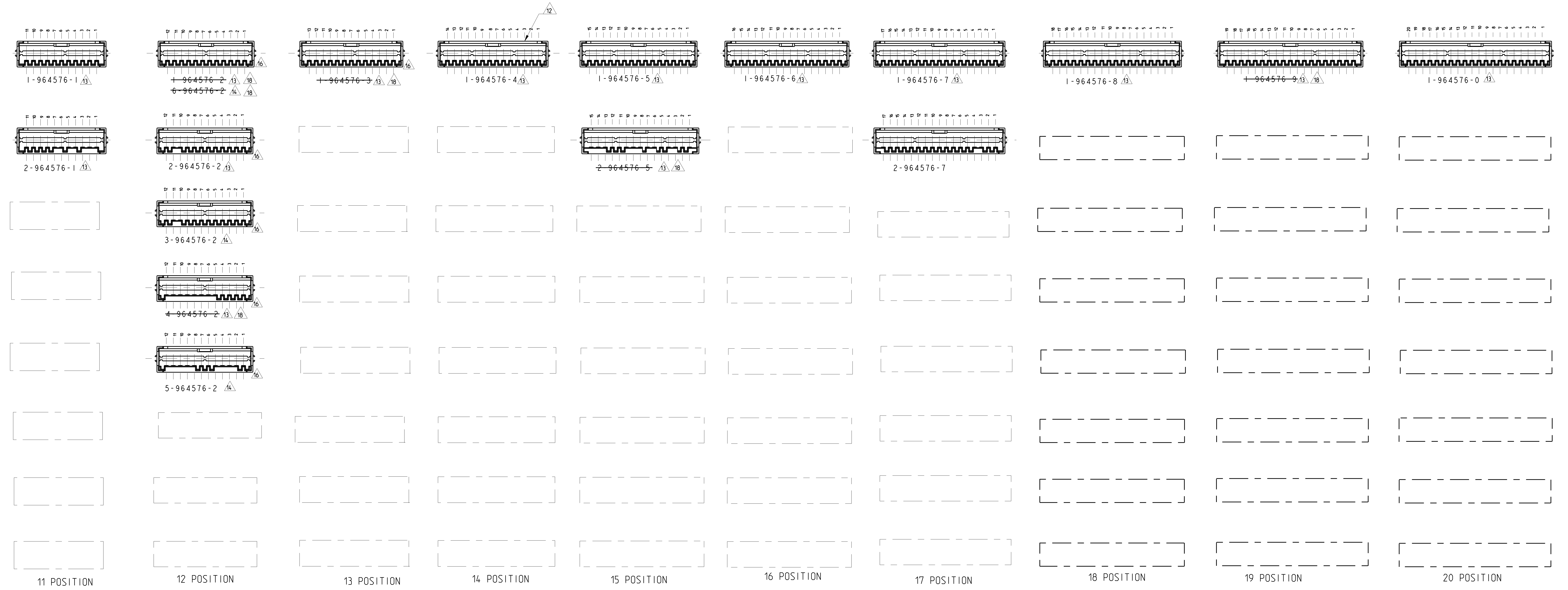
TE CONNECTIVITY

AMP DUOPLUG 2.5 SYSTEM PCB RAHMEN
AMP DUOPLUG 2.5 SYSTEM PCB FRAME (3-20 Posn)

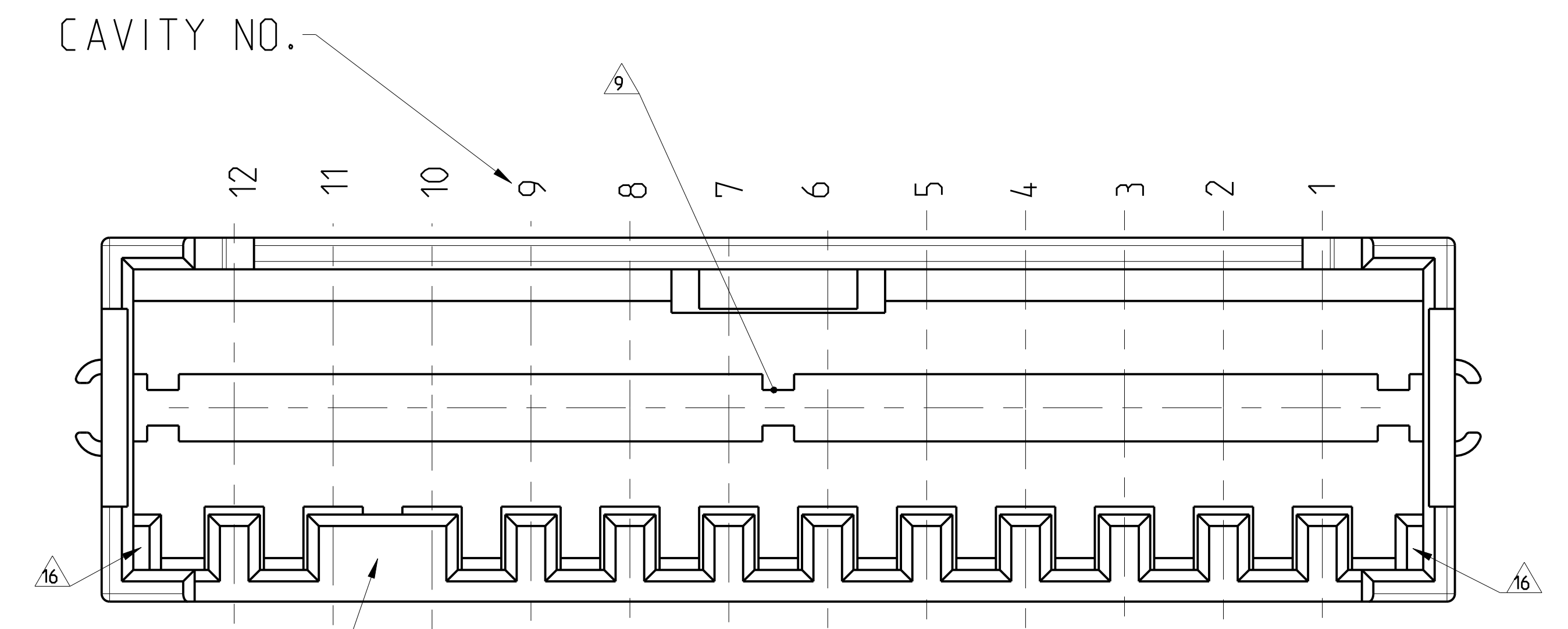
MATERIAL PA 6.6 25%GF UL94 V-0

FINISH -

SCALE 10:1 SHEET 1 OF 2



EXAMPLE:



X-964 XXX-5
 PART NO. COLOR

- ▲13 COLOR: BLACK
- ▲14 COLOR: NATURAL (REDBROWN)
- ▲15 NATURAL (BEIGE)

Mouser Electronics

Authorized Distributor

Click to View Pricing, Inventory, Delivery & Lifecycle Information:

[TE Connectivity:](#)

[1-964575-4](#)