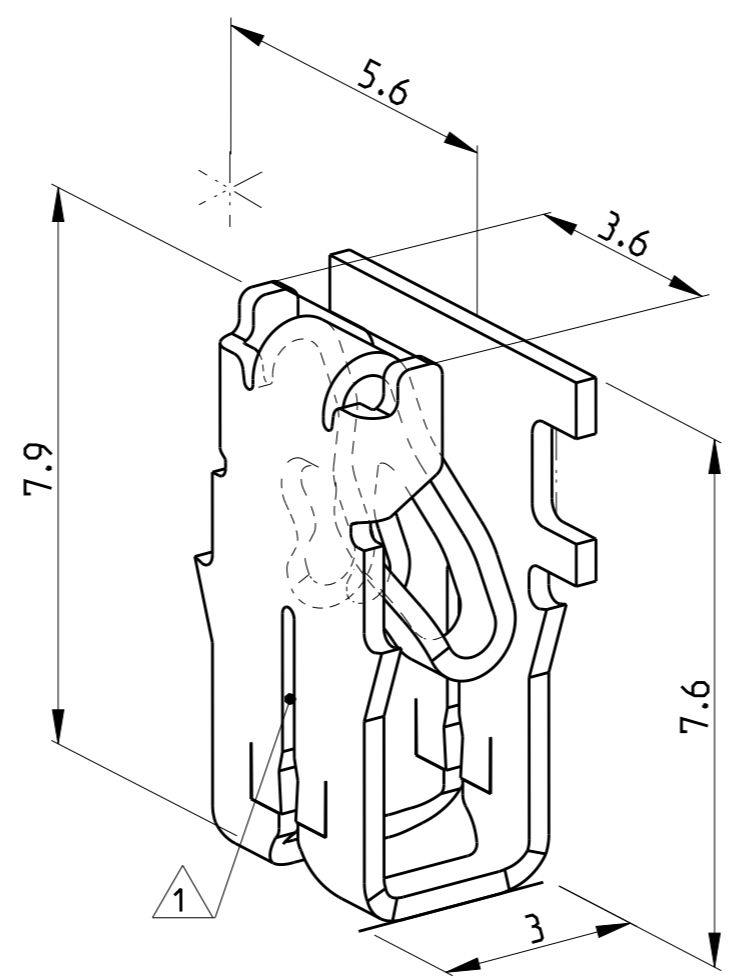
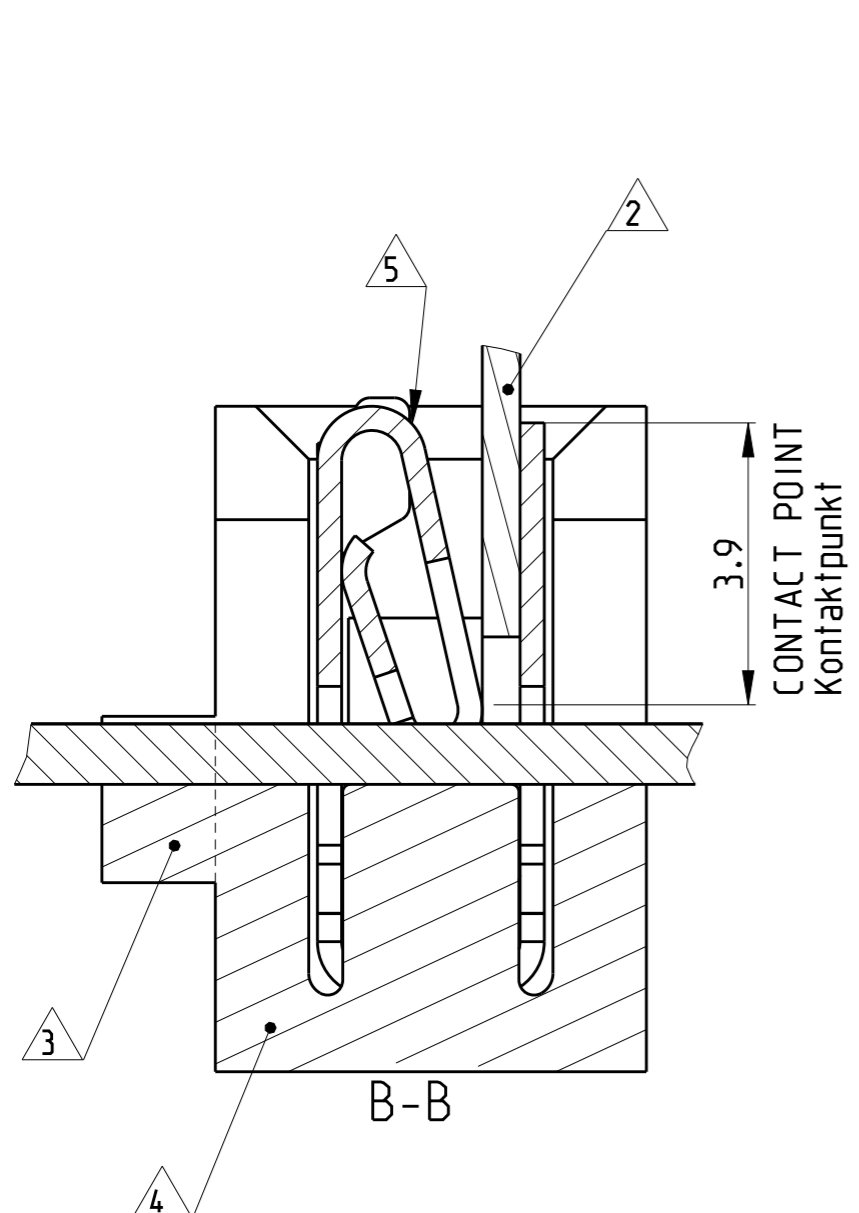
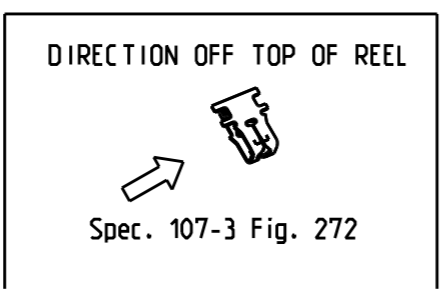


LOC	DIST	REVISIONS					
IR	-	P	LTR	DESCRIPTION	DATE	DWN	APVD
			C7	NEW PN 964340-5 ADDED	10JUL2018	SV	PKS
			C8	REVISED PER ECR-20-001234	29JAN2020	JA	PKS



- 1 △ SLOT ACCEPTS:
MAGNET WIRE $\varnothing 0.63...0.85\text{mm}$
Kontakt geeignet fuer
Lackdraht $\varnothing 0.63...0.85\text{mm}$
- 2 △ POKE IN TAB TERMINAL 3.4x0.5mm
Poke in Flachstecker 3.4x0.5mm
- 3 △ AREA WILL BE CUT BY TERMINATION
Bereich wird beim Kontaktieren abgetrennt
- 4 △ CAVITY ACCORDING TO TE SPEC. 411-18512
Kontakt Kammer nach TE Spec. 411-18512
- 5 △ IDENTIFICATION NO. FOR MAGNET WIRE RANGE (12)
Kennziffer fuer Lackdrahtbereich (12)
- 6 △ OBSOLETE PARTS: OBSOLETE CIS STREAMLINING PER
D.RENAUD/D.SINISI
- 7 REELED WITH PAPER INTERLAYER 0-737976-1
ON PLASTIC REEL 1-725652-0
Reeling mit Papierzwischenlage 0-737976-1
auf Kunststoffspulen 1-725652-0
- 8 REELED WITH PAPER INTERLAYER 1-782504-1
ON CARTON REEL 973053-1
Reeling mit Sprung Papierzwischenlage 1-782504-1
auf Kartonspulen 973053-1

	2-964340-2	A	-	CuNiSi	TIN PLATED	MAG MATE LEAF TERMINAL	-
	964340-5	8	C	-	CuNiSi	vorverzinnt	MAG MATE LEAF TERMINAL
	964340-3	B	-	CuZn	vorverzinnt	MAG MATE LEAF TERMINAL	-
	964340-2	B	-	CuNiSi	vorverzinnt	MAG MATE LEAF TERMINAL	-
6 △ OBSOLETE	964340-1	B	-	CuNiSi	BLANK	MAG MATE LEAF TERMINAL	-
	PART NO	REV.	PCS.	MATERIAL	SURFACE COLOUR	DESCRIPTION	ITEM NO



THIS DRAWING IS A CONTROLLED DOCUMENT.

DWN: Rudolph 16-03-95
 CHK: H. Pölber 20-03-95
 APVD: -

STE TE Connectivity

NAME: MAG MATE LEAF TERMINAL MARK II

PRODUCT SPEC: 108-2012
 APPLICATION SPEC: 114-2046

SIZE: A3 CAGE CODE: 00779 DRAWING NO: C-964340 RESTRICTED TO: -

MATERIAL: SEE TABLE FINISH: SEE TABLE WEIGHT: -

Customer Drawing SCALE 10:1 SHEET 1 OF 1 REV C8

Mouser Electronics

Authorized Distributor

Click to View Pricing, Inventory, Delivery & Lifecycle Information:

[TE Connectivity:](#)

[964340-5](#)