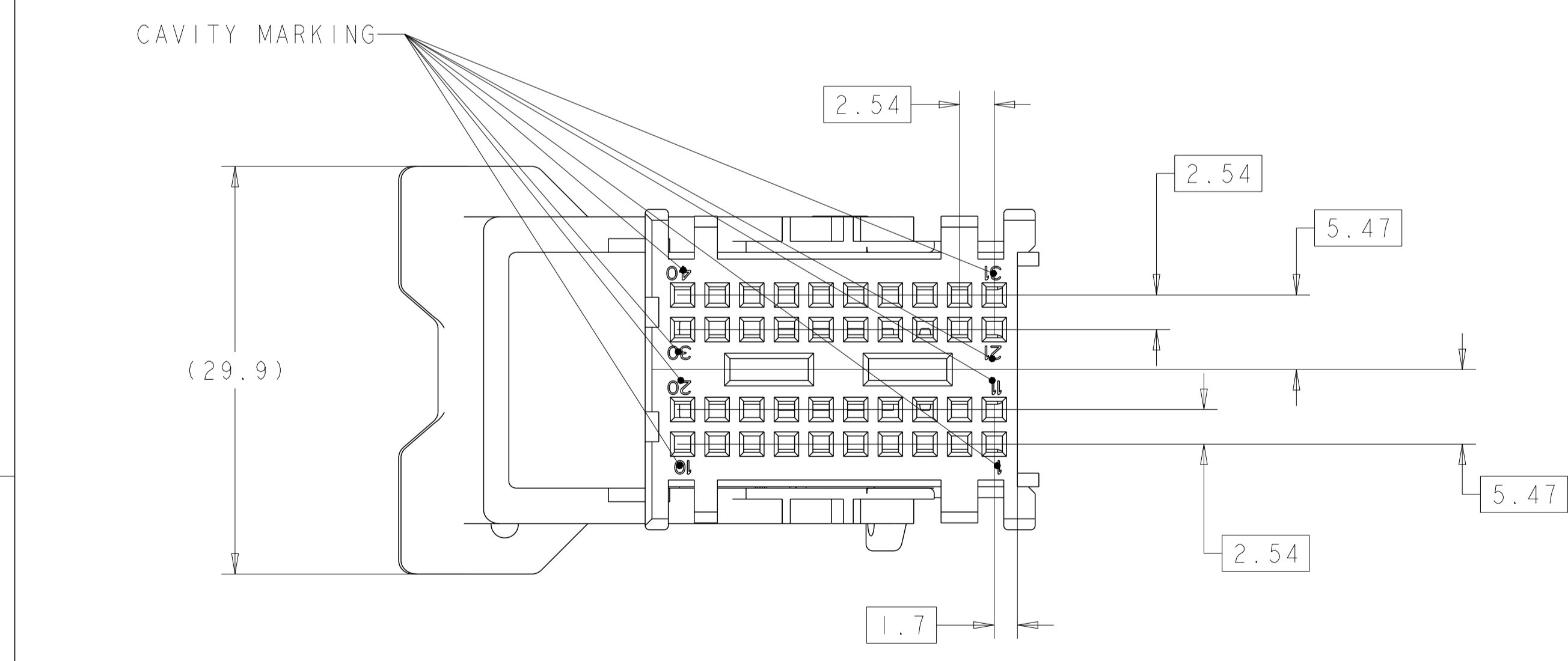
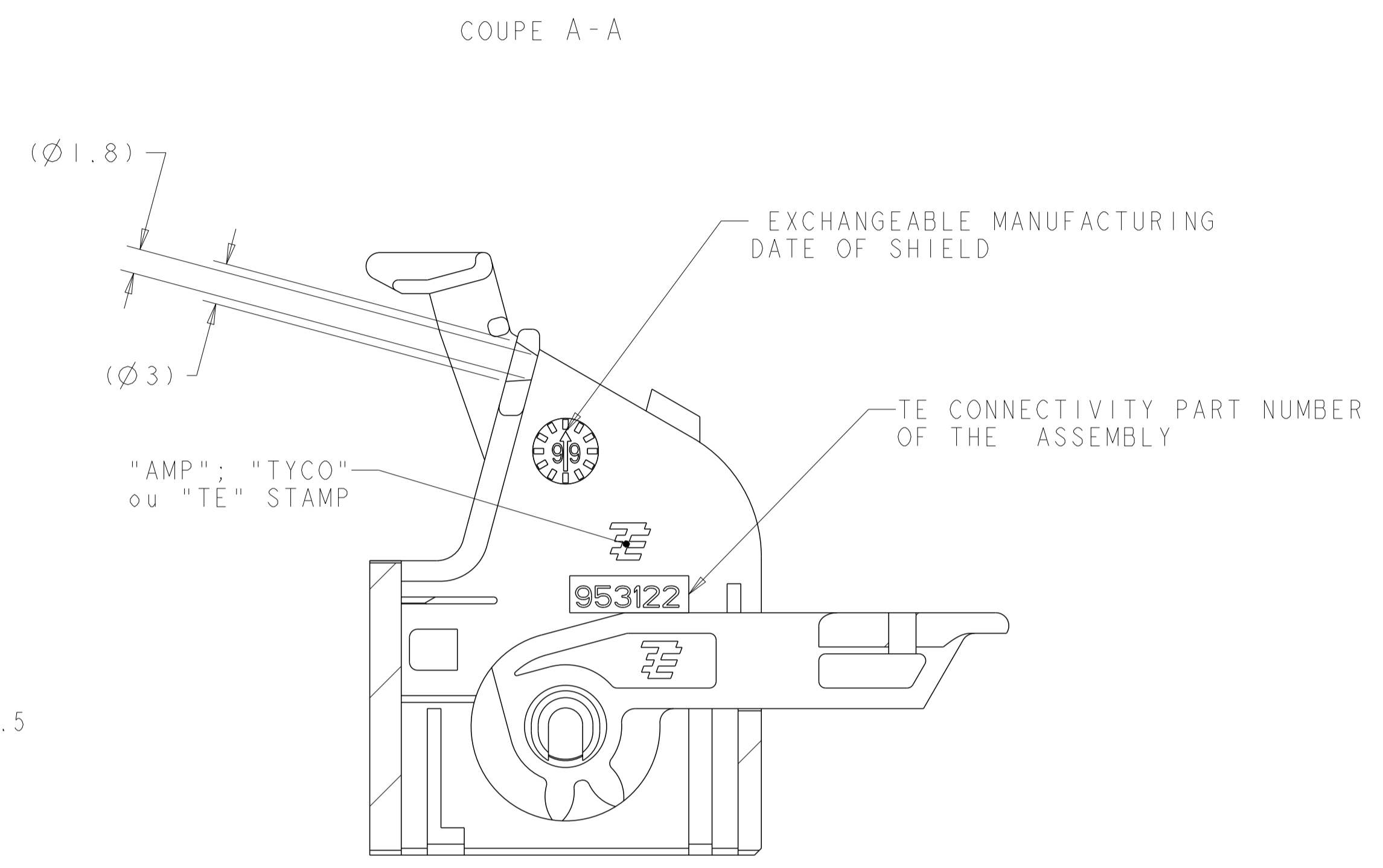
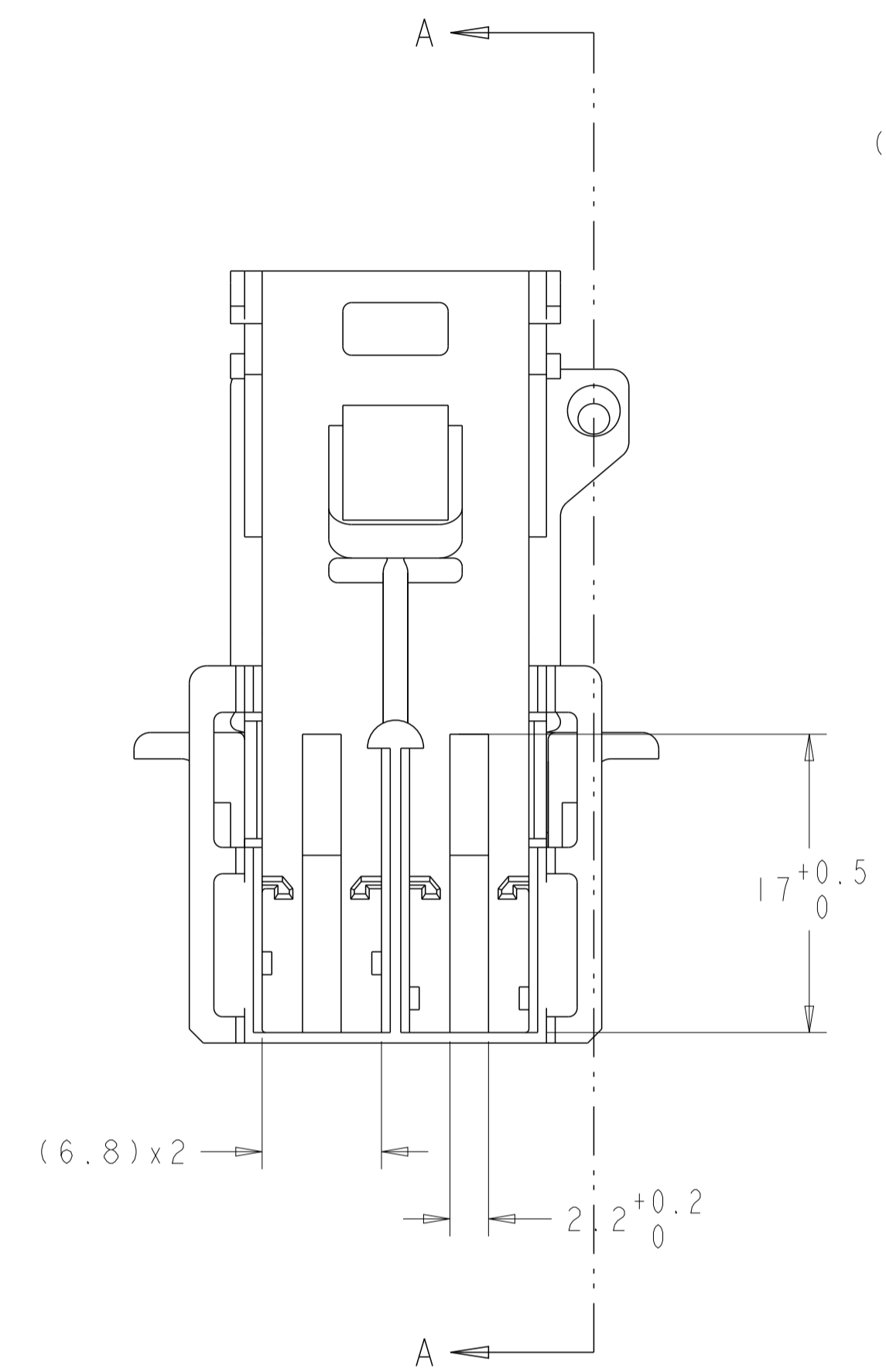
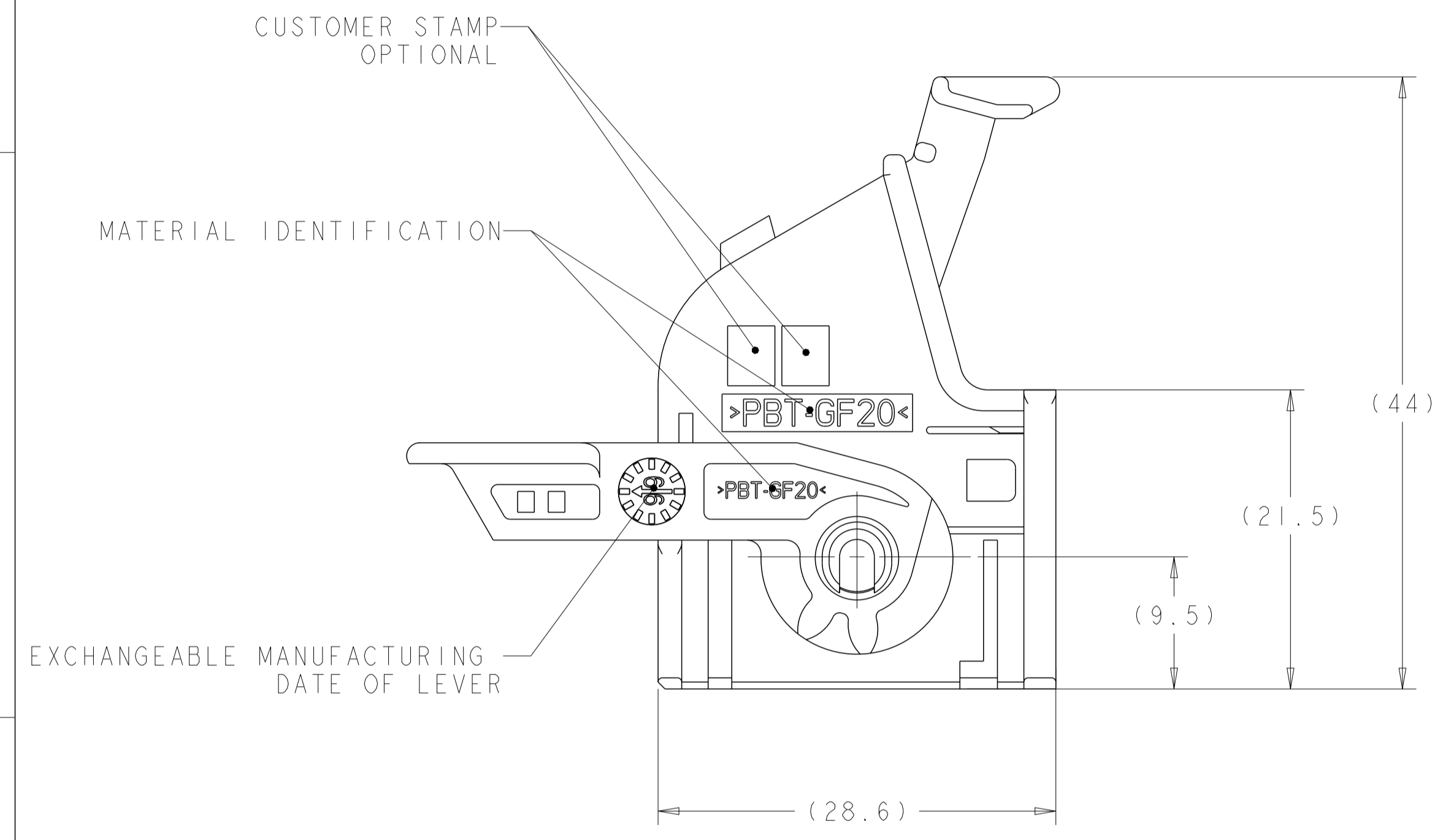
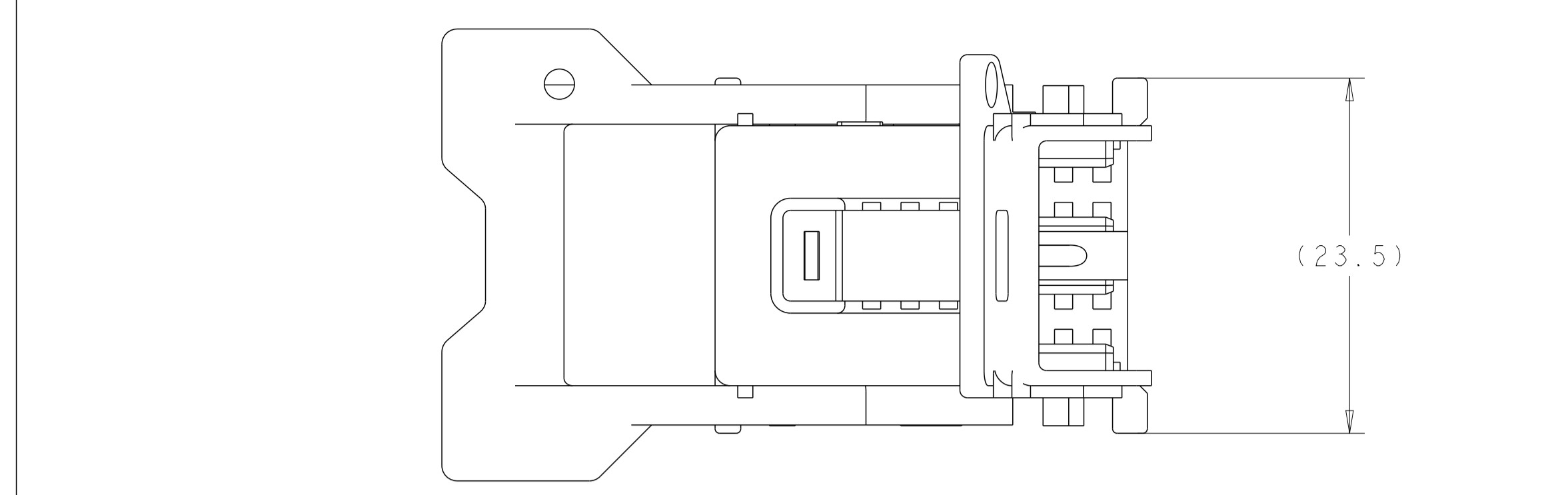


LOC		DIST		REVISIONS				
F	00	P	LTN	DESCRIPTION MODIFICATIONS	DATE	DWN DESS.	APVD APP.	
		A1		REVISED PER ECO-11-005150	28MAR2011	RK	HMR	
		A2		CORRECTED THE PN'S IN NOTE IN ZONE A7 ON SHEET 1 OF 2	20JUL2016	KCD	SA	



Nota:
 PARKAGING FOLLOWING SPEC TE CONNECTIVITY: 107-18078 and 107-15368
 PART TO USE WITH:
 SOCKET HOUSING FOR POS. 1 TO 20 REF PN 953119-2 (BROWN) OR PN 1-953119-4 (WHITE)
 SOCKET HOUSING FOR POS. 21 TO 40 REF PN 953119-1 (GREEN) OR PN 1-953119-3 (BLACK)
 CONTACT MQS REF /144969-X; 1379418-X; 1379419-X
 NUMBER MAXI OF WIRE PERMITTED:
 40 WIRES SECTION 0.75mm² (Ø maxi insult 1.9mm)
 RECOMMANDATION SPEC: 411-15597

THIS DRAWING IS A CONTROLLED DOCUMENT. <small>CE PLAN EST UN DOCUMENT CONTROLÉ PAR AMF INCORPORATED. IL EST SOUS SCRIPTE D'ÊTRE REVISÉ, CORRIGÉ DE SERVICE. TECHNIQUE STAMP DE FRANCE POUR OBTENIR LA DERNIÈRE RÉVISION.</small>		DWN/DESSINE M. POLIFONTE 08FEB2005	CHKY VÉRIFIÉ X. ROULLARD 09FEB2005	APVD APPROUVE J. DABED 09FEB2005	NAME TITRE ASSEMBLY COVER 40 WAY MQS CABLE-LOCKING AT 15 DEG.
DIMENSIONS: mm	TOLERANCES, UNLESS OTHERWISE SPECIFIED: TOLERANCES, NON SPECIFIEES: ±0.2	APVD APPROUVE J. DABED 09FEB2005	PRODUCT SPEC 108-15178	APPLICATION SPEC	SIZE FORMA A1
MATERIAL MATIERE PBT GF 20	FINITION -	WEIGHT MASSE APPROX. 8.9gr	CAGE CODE 00779	DRAWING NO. 953122	RESTRICTED TO RESERVE A
CUSTOMER DRAWING /PLAN CLIENT		UNIQUEMENT POUR REFERENCE	SCALE ECHELLE 3:1	SHEET FEUILLE 1	OF RE 2
					REV A2

THIS DRAWING IS UNPUBLISHED. RELEASED FOR PUBLICATION BY THE U.S. GOVERNMENT. ALL RIGHTS RESERVED. THIS DRAWING IS UNPUBLISHED. RELEASED FOR PUBLICATION BY THE U.S. GOVERNMENT. ALL RIGHTS RESERVED. THIS DRAWING IS UNPUBLISHED. RELEASED FOR PUBLICATION BY THE U.S. GOVERNMENT. ALL RIGHTS RESERVED.

LOC		DIST		REVISIONS			
F	00	P	LTA REV	DESCRIPTION MODIFICATIONS	DATE	DWN DESS.	APVD APP.
				SEE SHEET 1			

953122-1	SHIELD	2	1	BLACK	PBT GF 20		953122-5	SHIELD	2	1	BLACK	PBT GF 20	
	LEVER	1	1	BLACK	PBT GF 20			LEVER	1	1	BLACK	PBT GF 20	
953122-2	SHIELD	2	1	GREY	PBT GF 20		953122-6	SHIELD	2	1	GREY	PBT GF 20	
	LEVER	1	1	BLACK	PBT GF 20			LEVER	1	1	BLACK	PBT GF 20	
953122-3	SHIELD	2	1	WITHE	PBT GF 20		953122-7	SHIELD	2	1	WITHE	PBT GF 20	
	LEVER	1	1	BLACK	PBT GF 20			LEVER	1	1	BLACK	PBT GF 20	
953122-4	SHIELD	2	1	BLUE	PBT GF 20		953122-8	SHIELD	2	1	BLUE	PBT GF 20	
	LEVER	1	1	BLACK	PBT GF 20			LEVER	1	1	BLACK	PBT GF 20	
TE CONNECTIVITY PART NUMBER	COMPONENT	Rep	Q.	COLOR	MATERIAL	CODING	TE CONNECTIVITY PART NUMBER	COMPONENT	Rep	Q.	COLOR	MATERIAL	CODING

THIS DRAWING IS A CONTROLLED DOCUMENT. CE PLAN EST EN DOCUMENT CONTROLÉ PAR AMP INCORPORATED. IL EST IDENTIFIÉ ET TRACÉ POUR OBTENIR LA DERNIÈRE RÉVISION. TECHNICAL STAMP DE FRANCE POUR OBTENIR LA DERNIÈRE RÉVISION.		DWN/BESSINE 08FEB2005 M. POLIFONTE CHK/FVERVIE 09FEB2005 X. ROULLARD	TE Connectivity	
DIMENSIONS: mm		APVD APPROUVE J. DABED 09FEB2005	NAME TITRE	
		PRODUCT SPEC 108-15178	ASSEMBLY COVER 40 WAY MOS CABLE-LOCKING AT 15 DEG.	
MATERIAL MATIÈRE PBT GF 20		APPLICATION SPEC	SIZE FORMAT A1	RESTRICTED TO RESERVE A
FINITION		WEIGHT MASSE APPROX 8.9gr	CAGE CODE DRAWING NO 100779	SCALE
		CUSTOMER DRAWING /PLAN CLIENT	BRIGUENET POUR REFERENCE	SHEET FEUILLE 2 OF DE 2

Mouser Electronics

Authorized Distributor

Click to View Pricing, Inventory, Delivery & Lifecycle Information:

[TE Connectivity:](#)

[953122-6](#)