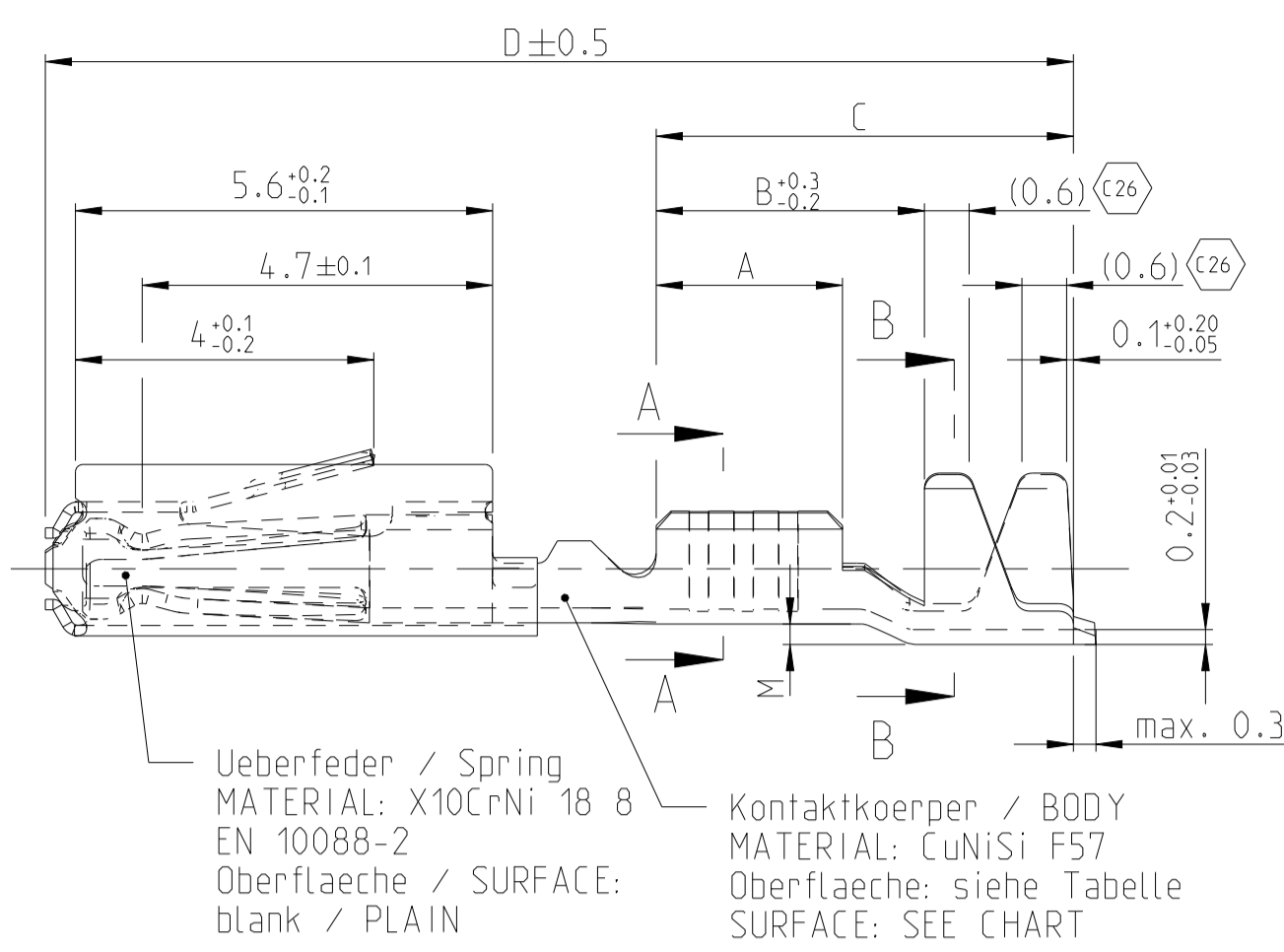
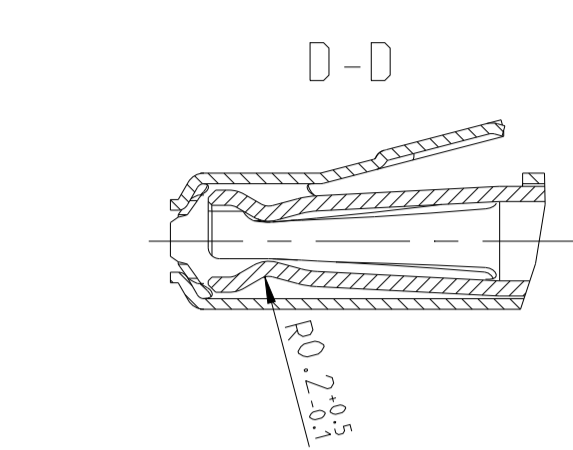
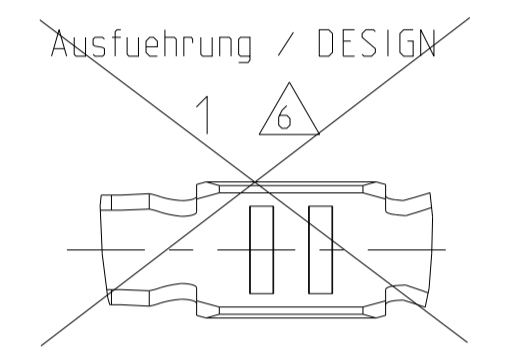
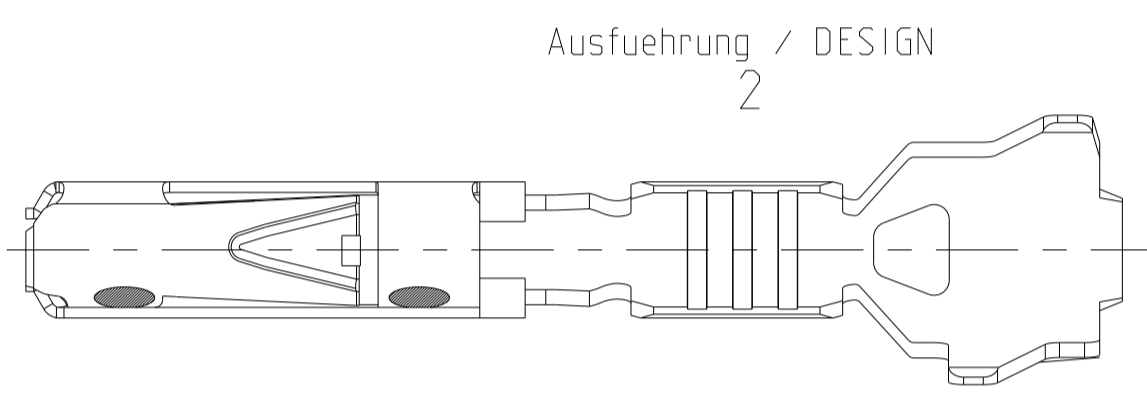
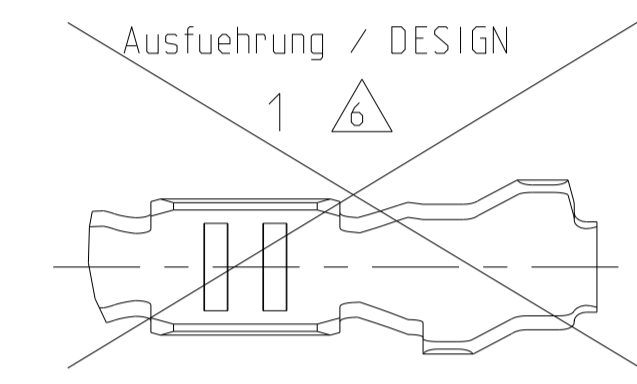
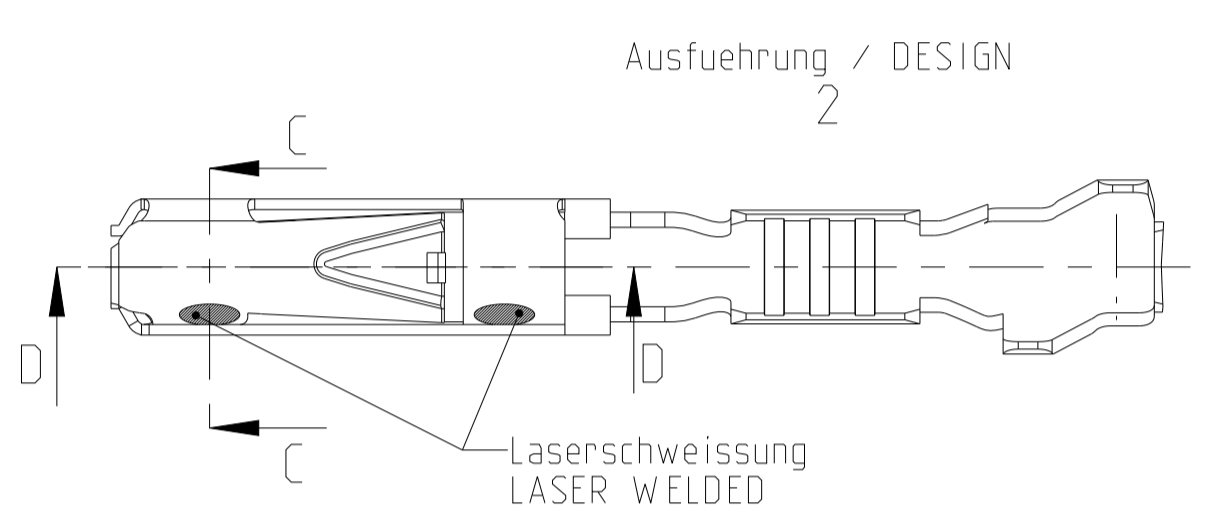
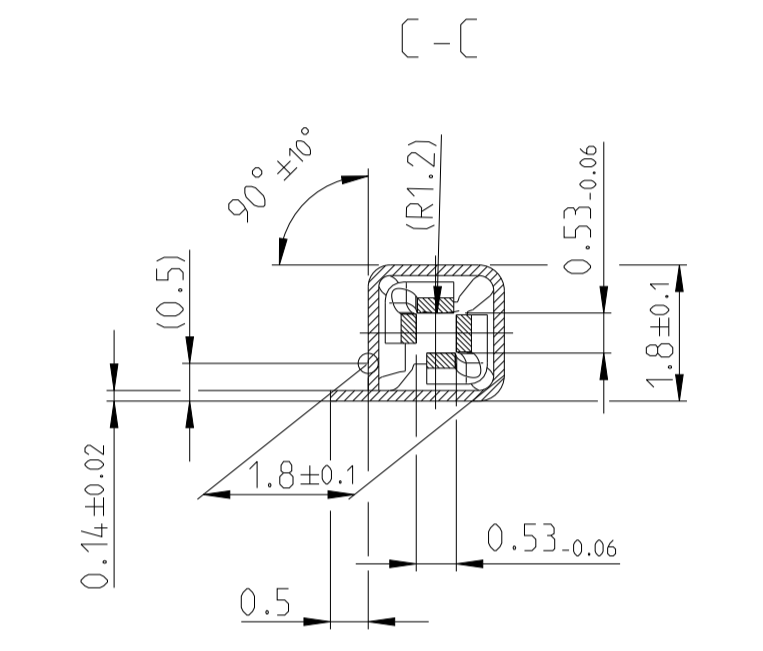
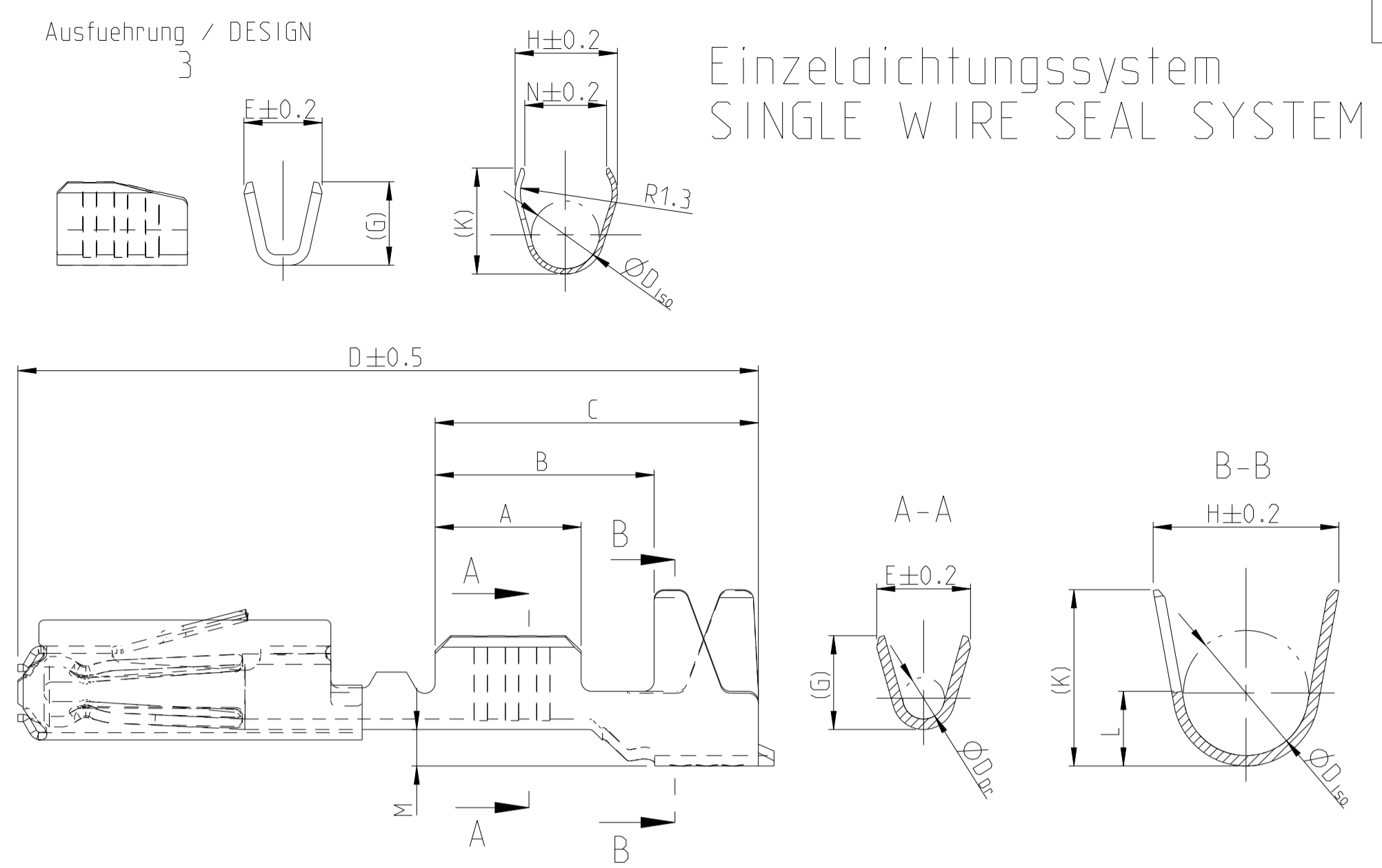
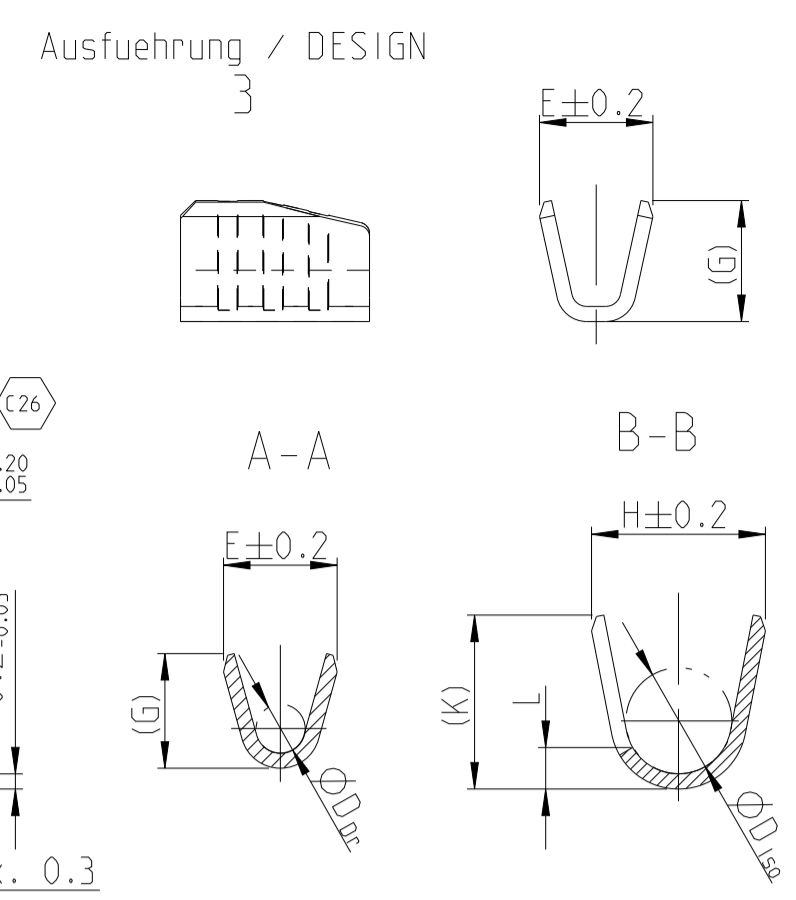


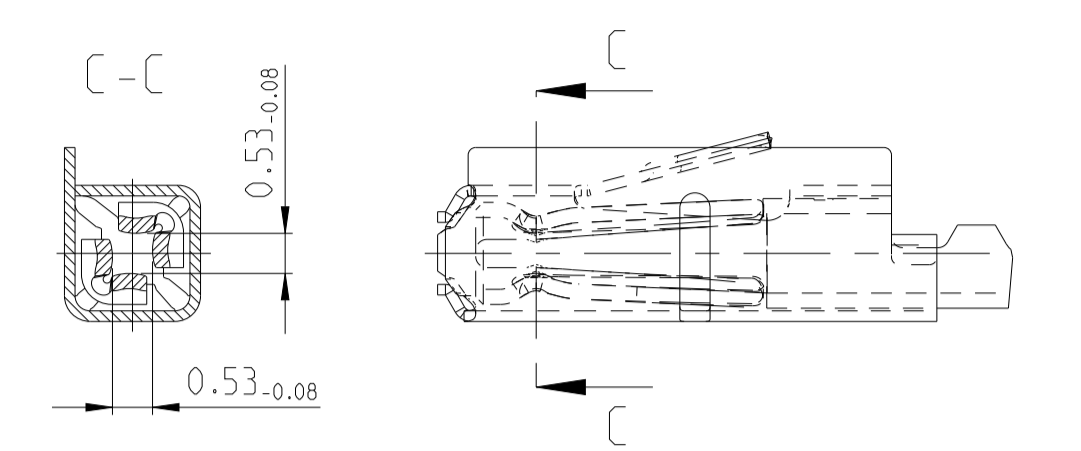
Normale Anwendung
USUAL APPLICATION



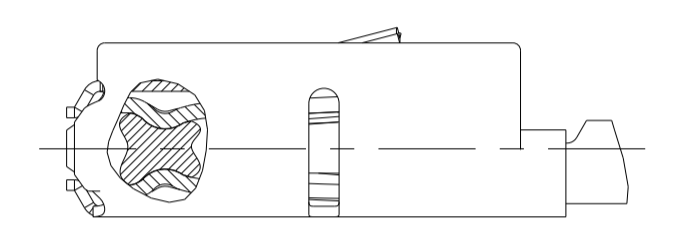
Ueberfeder / Spring MATERIAL: X10CrNi 18 8 EN 10088-2
 Oberflaeche / SURFACE: blank / PLAIN
 Kontaktkoerper / BODY MATERIAL: CuNiSi F57
 Oberflaeche: siehe Tabelle SURFACE: SEE CHART



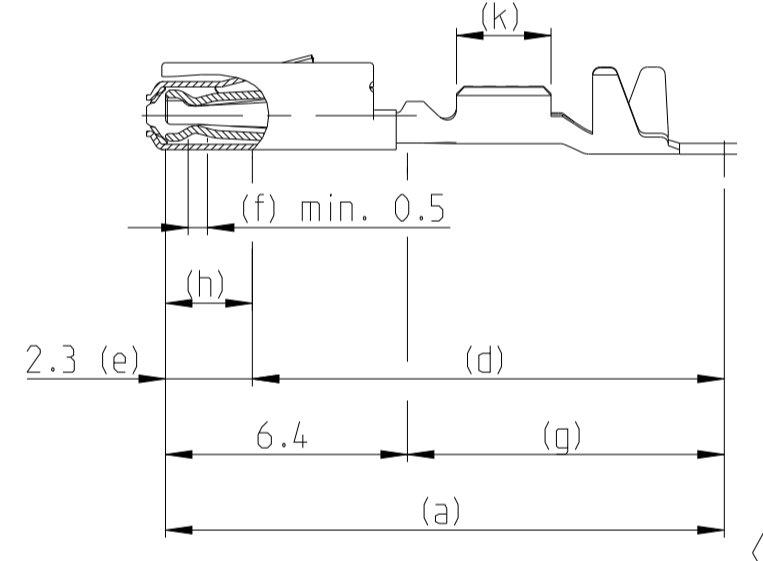
versilberte/vergoldete Ausfuehrung
SILVER/GOLD VERSION



GEL VERSION



Oberflaeche / FINISH



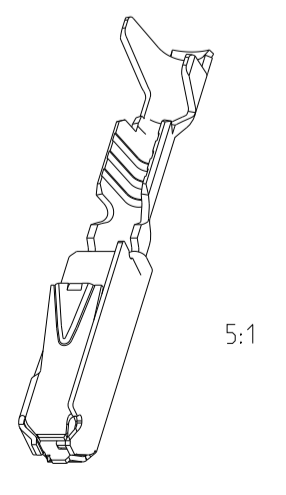
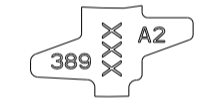
Sn: verzinnete Ausfuehrung
TINNED
(a) Kontaktkoerper: 0.8 - 2 µm Sn
BODY: 0.8 - 2 µm Sn

Ag: versilbert
SILVER
(e) min. 0.3 µm Ag
(f) min. 2.8 µm Ag INSIDE
min. 2.8 µm Ag innen
(g) min. 0.2 µm Sn
(k) min. 0.8 - 2 µm Sn

Au (galvanisch): galvanisch vergoldet
GOLD-ELECTROPLATED
(d) 0.05-1 µm Ni, beidseitig
0.05-1 µm Ni, ON BOTH SIDES
(e) 1-3 µm Ni, beidseitig
1-3 µm Ni, ON BOTH SIDES
(f) min. 1.8 µm Au ueber (e), innen
MIN. 1.8 µm Au OVER (e), INSIDE
(g) min. 0.2 µm Sn ueber (d), beidseitig
MIN. 0.2 µm Sn OVER (d), ON BOTH SIDES
(h) Au galvanisch auslaufend
Au OVERPLATING
(k) min. 0.8 - 2.0 µm Sn

Bemerkungen

- Datumscode (Woche/Jahr z.B. KW 38/Jahr2009) und TE-Revision (z.B. Rev.A) DATE CODE (WEEK/YEAR E.G. WEEK NUMBER 38/YEAR2009) AND TE REVISION (E.G. REV. A)
- Passend zu Stiftkontakt siehe Zeichnung 929453 SUITABLE FOR PIN CONTACT SEE DRAWING 929453
- Einzelheiten der Ausfuehrung bleiben dem Hersteller ueberlassen DETAILS OF DESIGN ARE LEFT TO MANUFACTURER
- Nur fuer FLR-Leitung nach DIN 72551 Teil 6 FOR FLR-CONDUCTOR ACCORDING TO DIN 72551-6 ONLY
-
- nicht fuer Neuanwendung NOT FOR NEW APPLICATION
- zugverstaerkte Leitung nach LV 112-4 REINFORCED WIRE ACCORDING LV 112-4
- Bei doppelt fallenden Werkzeugen wird die erste Ueberfeder mit einer Kennzeichnung "-" versehen WITH DOUBLE OUT DIES THE FIRST SPRING WILL BE PROVIDED WITH AN INDICATION "-"
- Varianten von Design1 werden durch die entsprechenden Versionen von Design2 ersetzt VARIANTS OF DESIGN1 ARE SUPERSEDED BY CORRESPONDING VERSIONS OF DESIGN2



| Part No. | Rev. | Material | Surface | Length | Wire Size | Weight | Notes |
|------------|------|----------|--|-------------|------------------------------|---------------------------------------|-------|
| 6-965906-5 | E | Au-Gel | A = 2.8, B = 4.2, C = 6.2, D = 14.3, M = 0.7 | 0.50-0.75 | E = 2, G = 2.1, DDr = 1 | H = 3.5, K = 3.4, L = 1.5, D150 = 2.4 | 0.13 |
| 5-965906-6 | D | Ag | A = 2.5, B = 3.9, C = 5.9, D = 14, M = 0.7 | 0.25-0.35 | E = 1.8, G = 1.8, DDr = 0.8 | H = 3.5, K = 3.4, L = 1.5, D150 = 2.4 | 0.13 |
| 5-965906-5 | E | Au | A = 2.5, B = 4.3, C = 6.2, D = 14.2, M = 0.6 (C26) | 0.13 / 0.17 | E = 1.5, G = 1.4 | H = 4, K = 3.9, N = 3.1, D150 = 2.6 | 0.1 |
| 5-965906-1 | D | Sn | A = 2.5, B = 3.6, C = 5.6, D = 13.7, M = 0.2 | 0.50-0.75 | E = 2, G = 2.1, DDr = 1 | H = 2.7, K = 2.9, L = 0.7, D150 = 1.6 | 0.11 |
| 5-962885-6 | J | Ag | A = 2.5, B = 3.6, C = 5.6, D = 13.7, M = 0.2 | 0.25-0.35 | E = 1.8, G = 1.8, DDr = 0.8 | H = 2.3, K = 2.3, L = 0.6, D150 = 1.4 | 0.11 |
| 5-962885-5 | K | Au | A = 2.5, B = 3.7, C = 5.4, D = 13.7, M = 0 | 0.13 / 0.17 | E = 1.5, G = 1.4 | H = 2, K = 1.9, D150 = 1.1 | 0.1 |
| 5-962885-1 | J | Sn | A = 2.5, B = 3.7, C = 5.4, D = 13.7, M = 0 | 0.08-0.22 | E = 1.5, G = 1.5, DDr = 0.65 | H = 2, K = 2, D150 = 1.1 | 0.1 |

| Bestell-Nr. Ausfuehrung ORDER NO. DESIGN 2 | Bestell-Nr. Ausfuehrung ORDER NO. DESIGN 3 | Rev. | Bestell-Nr. Ausfuehrung ORDER NO. DESIGN 1 | Rev. | VERSION | DGB Wire Size Range mm² | Oberflaeche SURFACE | Laenge LENGTH mm | Drahtcrimp WIRE CRIMP mm | Iso-crimp INSU-CRIMP mm | Gewicht WEIGHT g | Verarbeitung Spez. APPLICATION SPEC. | DGB Wire Size Range mm² | Isolations Ø INSULATING DIA. mm | fuer Kammer Ø3.45 FOR CAVITY DIA. 3.45 mm | Blindstopfen RUBBER PLUG | fuer Kammer Ø4 FOR CAVITY DIA. 4 mm | Blindstopfen RUBBER PLUG | zugehoerige Einzeldichtung / SUITABLE SINGLE WIRE SEAL |
|--|--|------|--|------|-------------------------------------|-------------------------|---------------------|------------------|--------------------------|-------------------------|------------------|--------------------------------------|-------------------------|---------------------------------|---|--------------------------|-------------------------------------|--------------------------|--|
| | | | | | normale Anwendung USUAL APPLICATION | | | | | | | | | | | | | | |

THIS DRAWING IS A CONTROLLED DOCUMENT. OWN: S. Garcia 05JAN1999, CHK: M. Bleicher 05JAN1999, R. Jetter 13AUG2003, APVD: M. Bleicher 108-18030, APPLICATION SPEC: 114-18021 / 114-18025, WEIGHT: -, CUSTOMER DRAWING: A1 00779, SCALE: 10:1, SHEET: 1 OF 1, REV: C26

TE Connectivity

MQS
Tabellenzeichnung Buchsenkontakt
TABLE SOCKET CONTACT

108-18030
APPLICATION SPEC

114-18021 / 114-18025

SCALE 10:1 SHEET 1 OF 1 REV C26

Mouser Electronics

Authorized Distributor

Click to View Pricing, Inventory, Delivery & Lifecycle Information:

[TE Connectivity:](#)

[6-965906-5](#)