

THIS DRAWING IS UNPUBLISHED. RELEASED FOR PUBLICATION  
 © COPYRIGHT - By - ALL RIGHTS RESERVED.

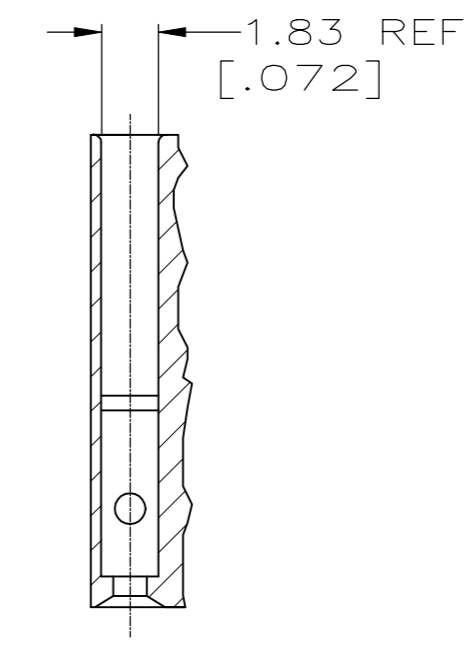
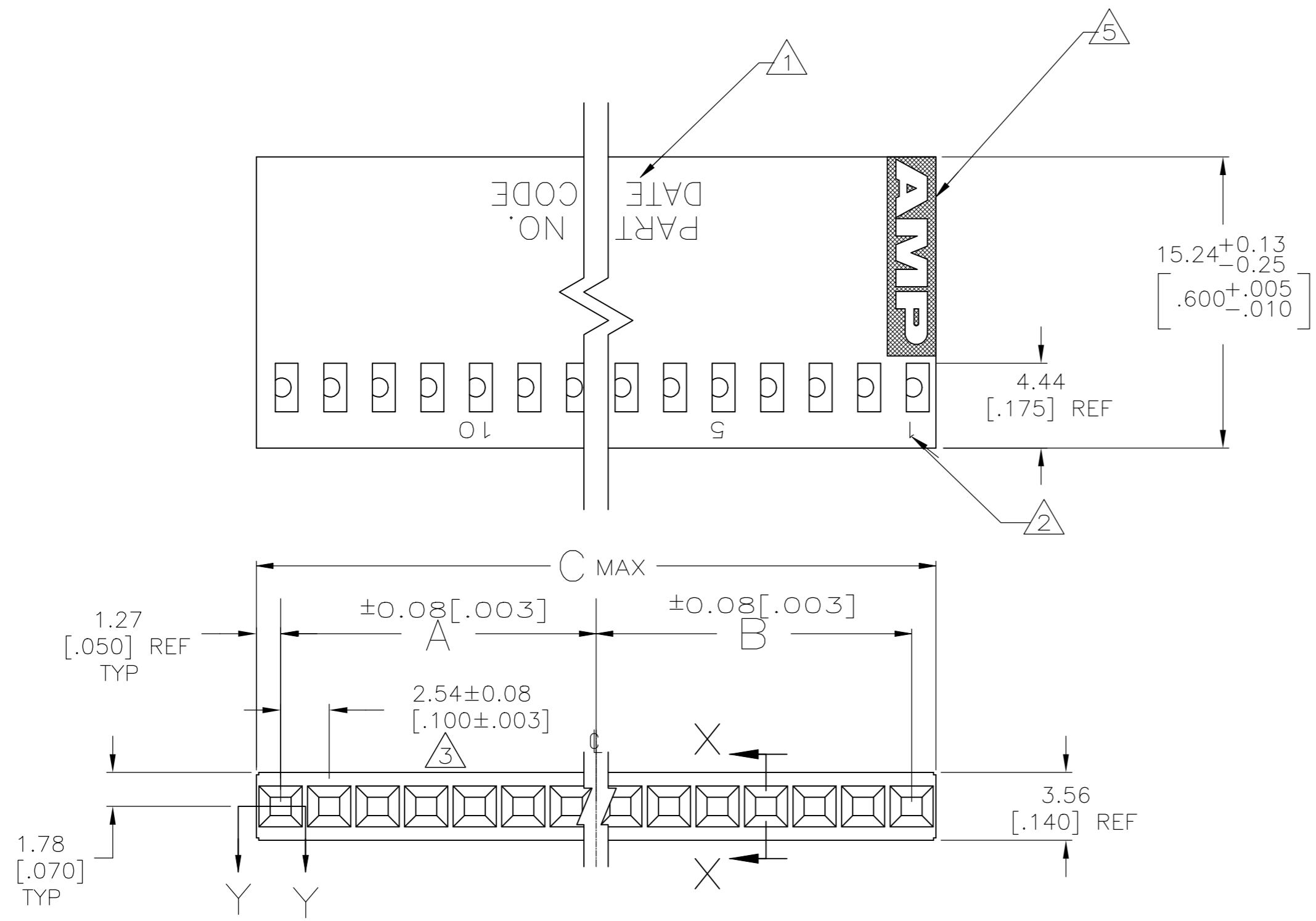
REVISIONS					
P	LTR	DESCRIPTION	DATE	DWN	APVD
	U3	REVISED PER ECO-11-004587	11MAR11	RK	HMR
	V	REVISED PER ECO-18-000976	28MAY2018	RS	JO

SUPERSEDED BY 3-87499-4	5	-	45.85 [1.805]	20.32 [.800]	22.86 [.900]	18	8-87499-9
SUPERSEDED BY 3-87499-2	5	-	43.31 [1.705]	20.32 [.800]	20.32 [.800]	17	8-87499-8
SUPERSEDED BY 3-87499-0	5	-	40.77 [1.605]	17.78 [.700]	20.32 [.800]	16	8-87499-7
SUPERSEDED BY 2-87499-8	5	-	38.23 [1.505]	17.78 [.700]	17.78 [.700]	15	8-87499-6
SUPERSEDED BY 2-87499-6	5	-	35.69 [1.405]	15.24 [.600]	17.78 [.700]	14	8-87499-5
SUPERSEDED BY 2-87499-4	5	-	33.15 [1.305]	15.24 [.600]	15.24 [.600]	13	8-87499-4
SUPERSEDED BY 2-87499-2	5	-	30.61 [1.205]	12.70 [.500]	15.24 [.600]	12	8-87499-3
SUPERSEDED BY 2-87499-0	5	-	28.07 [1.105]	12.70 [.500]	12.70 [.500]	11	8-87499-2
SUPERSEDED BY 1-87499-8	5	-	25.53 [1.005]	10.16 [.400]	12.70 [.500]	10	8-87499-1
SUPERSEDED BY 1-87499-6	5	-	22.99 [.905]	10.16 [.400]	10.16 [.400]	9	8-87499-0
OBSOLETE	5	-	20.45 [.805]	7.62 [.300]	10.16 [.400]	8	7-87499-9
SUPERSEDED BY 87499-2	5	-	17.91 [.705]	7.62 [.300]	7.62 [.300]	7	7-87499-8
SUPERSEDED BY 1-87499-2	5	-	15.37 [.605]	5.08 [.200]	7.62 [.300]	6	7-87499-7
SUPERSEDED BY 1-87499-0	5	-	12.83 [.505]	5.08 [.200]	5.08 [.200]	5	7-87499-6
SUPERSEDED BY 87499-8	5	-	10.29 [.405]	2.54 [.100]	5.08 [.200]	4	7-87499-5
SUPERSEDED BY 87499-6	5	-	7.75 [.305]	2.54 [.100]	2.54 [.100]	3	7-87499-4
SUPERSEDED BY 87499-4	5	-	5.21 [.205]	-	2.54 [.100]	2	7-87499-3
		-	2.67 [.105]	-	-	1	7-87499-2
SUPERSEDED BY 7-87499-2	-	ALL	2.67 [.105]	-	-	1	7-87499-1
		-	91.57 [3.605]	43.18 [1.700]	45.72 [1.800]	36	7-87499-0
OBSOLETE	-	ALL	91.57 [3.605]	43.18 [1.700]	45.72 [1.800]	36	6-87499-9
OBSOLETE	-	-	89.03 [3.505]	43.18 [1.700]	43.18 [1.700]	35	6-87499-8
OBSOLETE	-	ALL	89.03 [3.505]	43.18 [1.700]	43.18 [1.700]	35	6-87499-7
OBSOLETE	-	-	86.49 [3.405]	40.64 [1.600]	43.18 [1.700]	34	6-87499-6
OBSOLETE	-	ALL	86.49 [3.405]	40.64 [1.600]	43.18 [1.700]	34	6-87499-5
OBSOLETE	-	-	83.95 [3.305]	40.64 [1.600]	40.64 [1.600]	33	6-87499-4
OBSOLETE	-	ALL	83.95 [3.305]	40.64 [1.600]	40.64 [1.600]	33	6-87499-3
OBSOLETE	-	-	81.41 [3.205]	38.10 [1.500]	40.64 [1.600]	32	6-87499-2
OBSOLETE	-	ALL	81.41 [3.205]	38.10 [1.500]	40.64 [1.600]	32	6-87499-1
OBSOLETE	-	-	78.87 [3.105]	38.10 [1.500]	38.10 [1.500]	31	6-87499-0
OBSOLETE	-	ALL	78.87 [3.105]	38.10 [1.500]	38.10 [1.500]	31	5-87499-9
		-	76.33 [3.005]	35.56 [1.400]	38.10 [1.500]	30	5-87499-8
OBSOLETE	-	ALL	76.33 [3.005]	35.56 [1.400]	38.10 [1.500]	30	5-87499-7
OBSOLETE	-	-	73.79 [2.905]	35.56 [1.400]	35.56 [1.400]	29	5-87499-6
OBSOLETE	-	ALL	73.79 [2.905]	35.56 [1.400]	35.56 [1.400]	29	5-87499-5
		-	71.25 [2.805]	33.02 [1.300]	35.56 [1.400]	28	5-87499-4
OBSOLETE	-	ALL	71.25 [2.805]	33.02 [1.300]	35.56 [1.400]	28	5-87499-3
OBSOLETE	-	-	68.71 [2.705]	33.02 [1.300]	33.02 [1.300]	27	5-87499-2
OBSOLETE	-	ALL	68.71 [2.705]	33.02 [1.300]	33.02 [1.300]	27	5-87499-1
OBSOLETE	-	-	66.17 [2.605]	30.48 [1.200]	33.02 [1.300]	26	5-87499-0
OBSOLETE	-	ALL	66.17 [2.605]	30.48 [1.200]	33.02 [1.300]	26	4-87499-9
OBSOLETE	-	-	63.63 [2.505]	30.48 [1.200]	30.48 [1.200]	25	4-87499-8
NOTES	MARKING		C	B	A	NO OF POSN	PART NUMBER

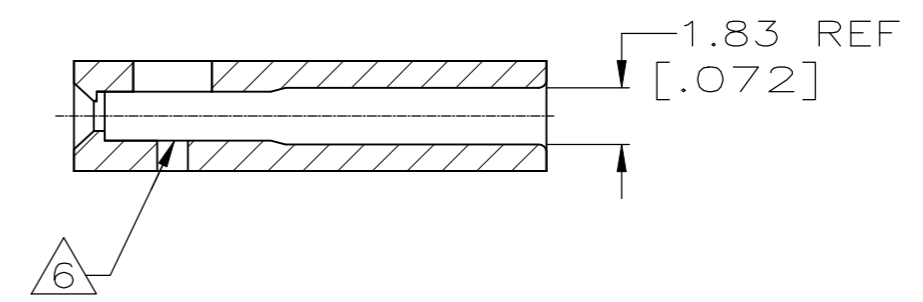
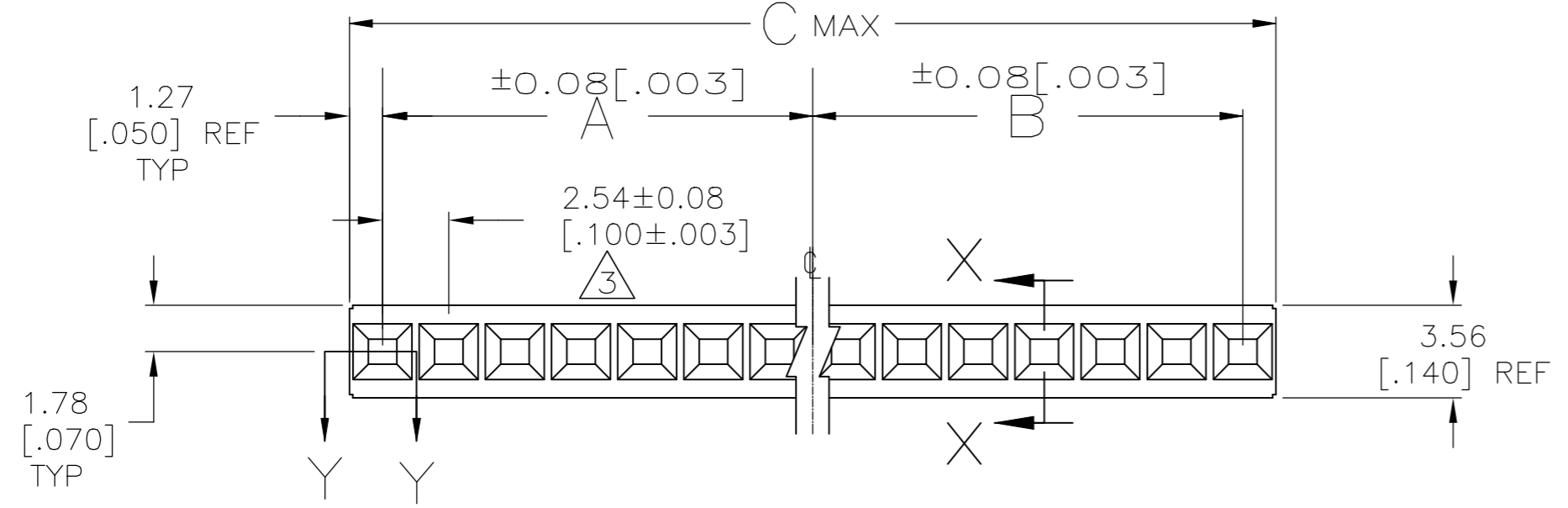
OBSOLETE	ALL	63.63 [2.505]	30.48 [1.200]	30.48 [1.200]	25	4-87499-7
OBSOLETE	-	61.09 [2.405]	27.94 [1.100]	30.48 [1.200]	24	4-87499-6
OBSOLETE	ALL	61.09 [2.405]	27.94 [1.100]	30.48 [1.200]	24	4-87499-5
OBSOLETE	-	58.55 [2.305]	27.94 [1.100]	27.94 [1.100]	23	4-87499-4
OBSOLETE	ALL	58.55 [2.305]	27.94 [1.100]	27.94 [1.100]	23	4-87499-3
		56.01 [2.205]	25.40 [1.000]	27.94 [1.100]	22	4-87499-2
SUPERSEDED BY 4-87499-2	ALL	56.01 [2.205]	25.40 [1.000]	27.94 [1.100]	22	4-87499-1
		53.47 [2.105]	25.40 [1.000]	25.40 [1.000]	21	4-87499-0
OBSOLETE	ALL	53.47 [2.105]	25.40 [1.000]	25.40 [1.000]	21	3-87499-9
		50.93 [2.005]	22.86 [.900]	25.40 [1.000]	20	3-87499-8
	ALL	50.93 [2.005]	22.86 [.900]	25.40 [1.000]	20	3-87499-7
OBSOLETE	-	48.39 [1.905]	22.86 [.900]	22.86 [.900]	19	3-87499-6
OBSOLETE	ALL	48.39 [1.905]	22.86 [.900]	22.86 [.900]	19	3-87499-5
		45.85 [1.805]	20.32 [.800]	22.86 [.900]	18	3-87499-4
SUPERSEDED BY 3-87499-4	ALL	45.85 [1.805]	20.32 [.800]	22.86 [.900]	18	3-87499-3
		43.31 [1.705]	20.32 [.800]	20.32 [.800]	17	3-87499-2
OBSOLETE	ALL	43.31 [1.705]	20.32 [.800]	20.32 [.800]	17	3-87499-1
		40.77 [1.605]	17.78 [.700]	20.32 [.800]	16	3-87499-0
	ALL	40.77 [1.605]	17.78 [.700]	20.32 [.800]	16	2-87499-9
		38.23 [1.505]	17.78 [.700]	17.78 [.700]	15	2-87499-8
	ALL	38.23 [1.505]	17.78 [.700]	17.78 [.700]	15	2-87499-7
		35.69 [1.405]	15.24 [.600]	17.78 [.700]	14	2-87499-6
	ALL	35.69 [1.405]	15.24 [.600]	17.78 [.700]	14	2-87499-5
		33.15 [1.305]	15.24 [.600]	15.24 [.600]	13	2-87499-4
	ALL	33.15 [1.305]	15.24 [.600]	15.24 [.600]	13	2-87499-3
		30.61 [1.205]	12.70 [.500]	15.24 [.600]	12	2-87499-2
	ALL	30.61 [1.205]	12.70 [.500]	15.24 [.600]	12	2-87499-1
		28.07 [1.105]	12.70 [.500]	12.70 [.500]	11	2-87499-0
	ALL	28.07 [1.105]	12.70 [.500]	12.70 [.500]	11	1-87499-9
		25.53 [1.005]	10.16 [.400]	12.70 [.500]	10	1-87499-8
	ALL	25.53 [1.005]	10.16 [.400]	12.70 [.500]	10	1-87499-7
		22.99 [.905]	10.16 [.400]	10.16 [.400]	9	1-87499-6
	ALL	22.99 [.905]	10.16 [.400]	10.16 [.400]	9	1-87499-5
		20.45 [.805]	7.62 [.300]	10.16 [.400]	8	1-87499-4
	ALL	20.45 [.805]	7.62 [.300]	10.16 [.400]	8	1-87499-3
		15.37 [.605]	5.08 [.200]	7.62 [.300]	6	1-87499-2
	ALL	15.37 [.605]	5.08 [.200]	7.62 [.300]	6	1-87499-1
		12.83 [.505]	5.08 [.200]	5.08 [.200]	5	1-87499-0
	ALL	12.83 [.505]	5.08 [.200]	5.08 [.200]	5	87499-9
		10.29 [.405]	2.54 [.100]	5.08 [.200]	4	87499-8
	ALL	10.29 [.405]	2.54 [.100]	5.08 [.200]	4	87499-7
		7.75 [.305]	2.54 [.100]	2.54 [.100]	3	87499-6
	ALL	7.75 [.305]	2.54 [.100]	2.54 [.100]	3	87499-5
		5.21 [.205]	-	2.54 [.100]	2	87499-4
	ALL	5.21 [.205]	-	2.54 [.100]	2	87499-3
		17.91 [.705]	7.62 [.300]	7.62 [.300]	7	87499-2
	ALL	17.91 [.705]	7.62 [.300]	7.62 [.300]	7	87499-1
MARKING		C	B	A	NO OF POSN	PART NUMBER

THIS DRAWING IS A CONTROLLED DOCUMENT.		DWN E. BRANDBERG 21-JUN-95	<b>TE</b> TE Connectivity Ltd.	
DIMENSIONS: mm		CHK S. SHUEY 21-JUN-95		
TOLERANCES UNLESS OTHERWISE SPECIFIED: 0 PLC ± - 1 PLC ± - 2 PLC ± 0.13[.005] 3 PLC ± - 4 PLC ± - ANGLES ± -		APVD D. DUPLER 21-JUN-95	NAME HOUSING, MOD IV, SINGLE ROW, .100 CL, CRIMP SNAP-IN	
MATERIAL FLAME RETARDANT		FINISH -	PRODUCT SPEC -	APPLICATION SPEC -
		WEIGHT	SIZE A2	CAGE CODE 00779
		CUSTOMER DRAWING	DRAWING NO C=87499	RESTRICTED TO -
		SCALE 4:1	SHEET 1 of 2	REV V

REVISIONS					
P	LTR	DESCRIPTION	DATE	DWN	APVD
-	-	SEE SHEET 1	-	-	-
-	-	SEE SHEET 1	-	-	-



SECTION Y-Y



SECTION X-X

- 1 PART NO. AND DATE CODE MARKED IN APPROX. AREA SHOWN WHEN HOUSING SIZE PERMITS.
- 2 CAVITY IDENTS, MARKED FIRST AND EVERY FIFTH CAVITY (ONE SIDE) AS SHOWN
- 3 TOLERANCE NON-CUMULATIVE.
- 4. USE EXTRACTION TOOL 91052-1 TO REMOVE RECEPTACLE CONTACTS.
- 5 AMP LOGO MOLDED IN TEXTURED AREA AS SHOWN.
- 6 FLASH ALLOWED TO BE .015 IN THIS AREA.
- 7 OBSOLETE PARTS: OBSOLETE CIS STREAMLINING PER D.RENAUD/D.SINISI

THIS DRAWING IS A CONTROLLED DOCUMENT.		DWN E. BRANDBERG 21-JUN-95	TE Connectivity Ltd.	
DIMENSIONS: mm		CHK S. SHUEY 21-JUN-95		
TOLERANCES UNLESS OTHERWISE SPECIFIED:		APVD D. DUPLER 21-JUN-95	NAME HOUSING, MOD IV, SINGLE ROW, .100 CL, CRIMP SNAP-IN	
0 PLC ± - 1 PLC ± - 2 PLC ± 0.13[.005] 3 PLC ± - 4 PLC ± - ANGLES ± -		PRODUCT SPEC	SIZE A2	
MATERIAL FLAME RETARDANT		APPLICATION SPEC	CAGE CODE 00779	DRAWING NO C=87499
		WEIGHT	RESTRICTED TO	
		CUSTOMER DRAWING	SCALE 4:1	SHEET 2 of 2
			REV V	

# Mouser Electronics

Authorized Distributor

Click to View Pricing, Inventory, Delivery & Lifecycle Information:

[TE Connectivity:](#)

[7-87499-0](#)