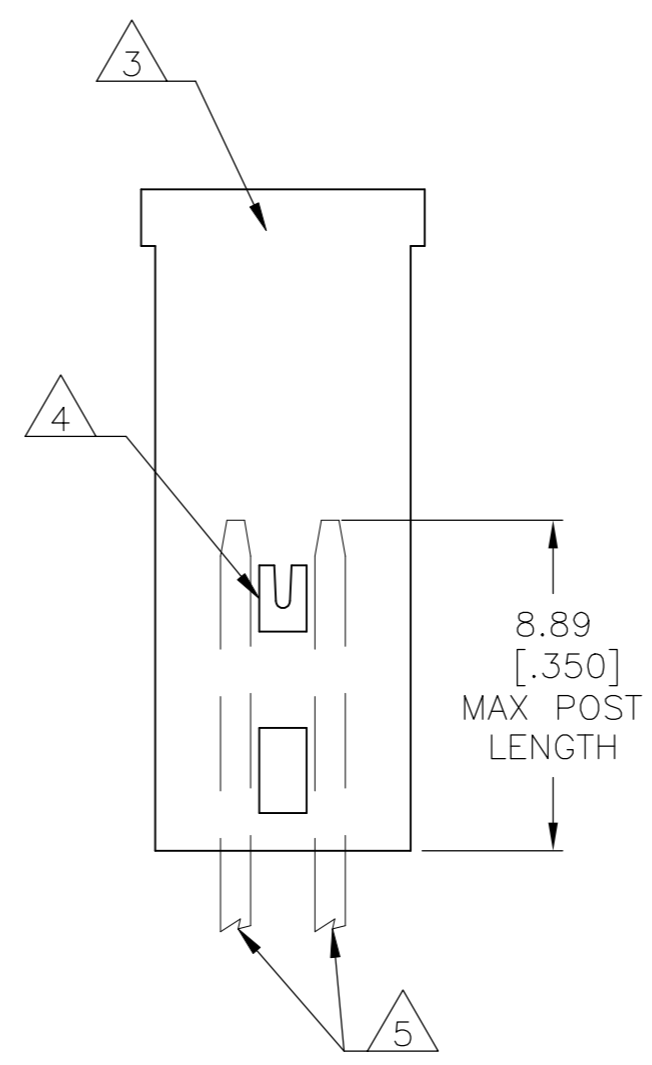
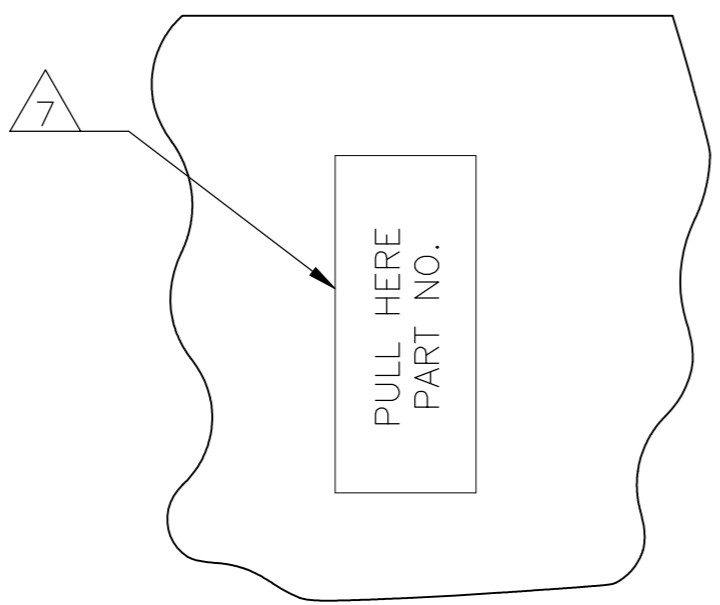
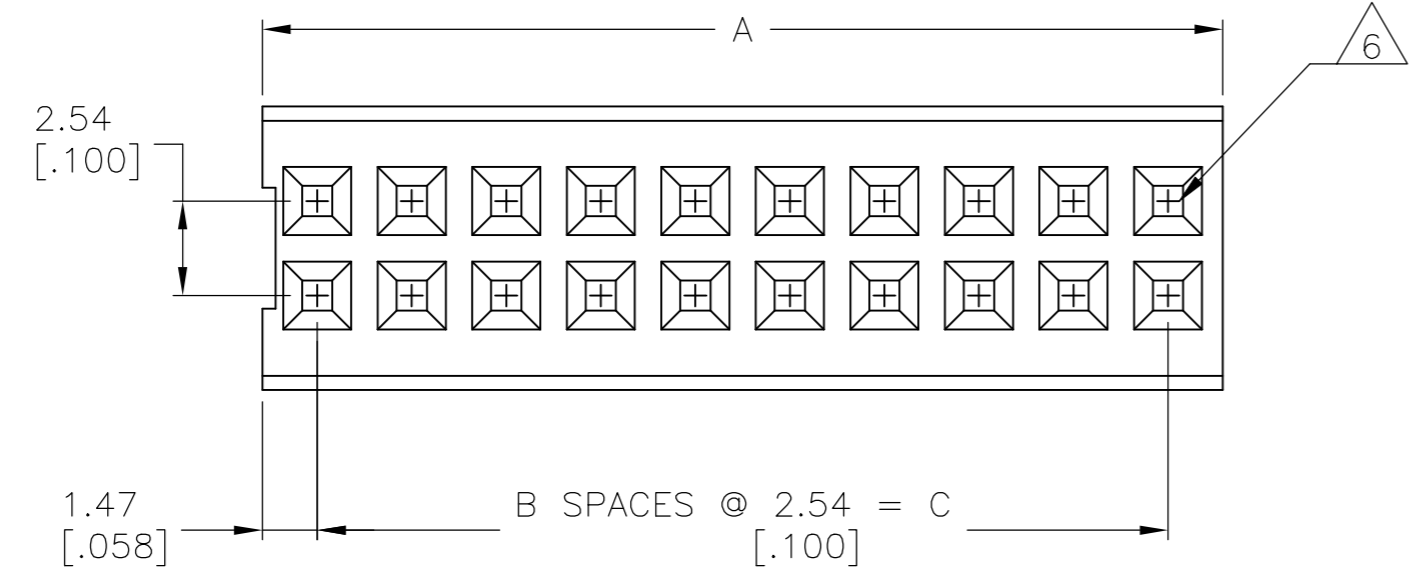
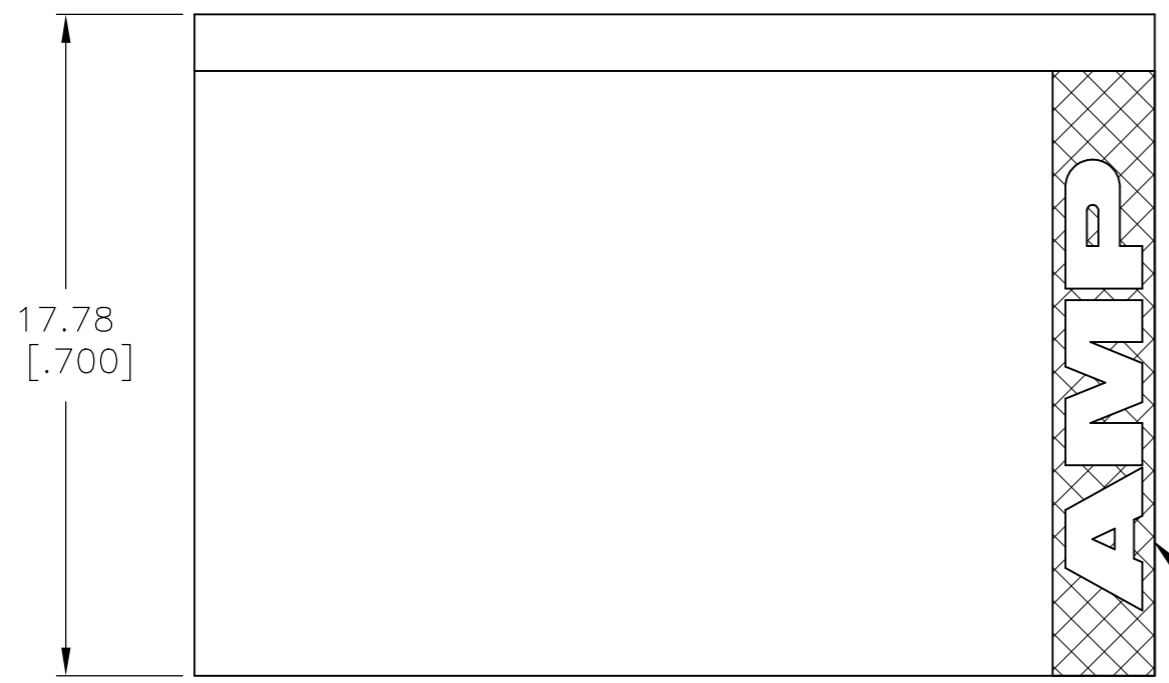
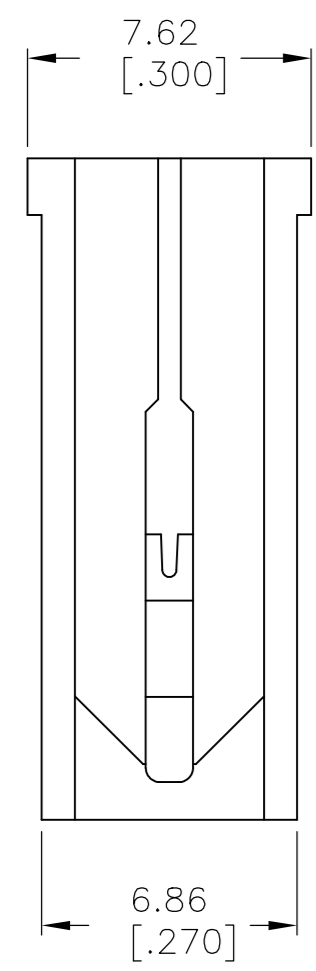
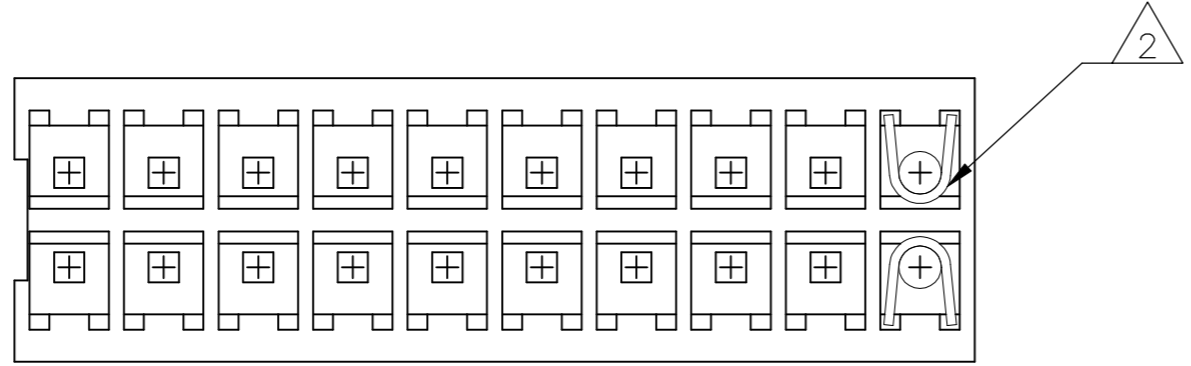


THIS DRAWING IS UNPUBLISHED. RELEASED FOR PUBLICATION
 © COPYRIGHT - By - ALL RIGHTS RESERVED.

REVISIONS					
P	LTR	DESCRIPTION	DATE	DWN	APVD
	K2	REVISED PER ECO-16-009321	23JUN2016	NK	JO
	L	REVISED PER ECO-18-000976	13APR2018	RS	JO



- 1 PULL ON HOUSING TO REMOVE FROM POSTS. DO NOT CONFINE THE CONDUCTORS OR PULL ON THE CONDUCTORS DURING REMOVAL ACTION.
- 2 ACCEPTS CONTACT P/N 87124.
- 3 MOLDED CHARACTERS THIS END.
- 4 EXTRACTION SLOT MAY BE PARTIALLY FLASHED OVER ONE END ONLY.
- 5 0.62 [.025] SQUARE POST SHOWN FOR REFERENCE ONLY.
- 6 CAVITY ACCEPTS 0.62 [.025] SQUARE POST (TYPICAL).
- 7 MARKED AS SHOWN IN APPROXIMATE CENTER OF HOUSING. 'PULL HERE' AND 'PART NO.' WILL APPEAR ON HOUSINGS 6 POSITIONS AND LARGER.
- 8 AMP LOGO MOLDED IN TEXTURED AREA, AREA REISED .0003 - .0007 HIGH AND MAY BE ON EITHER SIDE OF THE PART.

STAMPED	22.86 [.900]	9	25.81 [1.016]	20	87131-6
STAMPED	10.16 [.400]	4	13.11 [.516]	10	87131-5
7 STAMPED	2.54 [.100]	1	5.49 [.216]	4	87131-4
UNSTAMPED	22.86 [.900]	9	25.81 [1.016]	20	87131-3
UNSTAMPED	10.16 [.400]	4	13.11 [.516]	10	87131-2
UNSTAMPED	2.54 [.100]	1	5.49 [.216]	4	87131-1
REMARKS	C	B	A	NO. OF POSN	PART NUMBER

THIS DRAWING IS A CONTROLLED DOCUMENT.

DWN E BRANDBERG 2-25-93	TE Connectivity Ltd.
CHK S SHUEY 2-25-93	
APVD S SHUEY 2-25-93	
DIMENSIONS: mm [INCHES]	TOLERANCES UNLESS OTHERWISE SPECIFIED: 0 PLC ± - 1 PLC ± - 2 PLC ± - 3 PLC ± 0.12 [.005] 4 PLC ± - ANGLES ± -
MATERIAL GLASS FILLED POLYESTER COLOR : DARK BROWN OR BLACK	FINISH -
PRODUCT SPEC APPLICATION SPEC WEIGHT	
CUSTOMER DRAWING	
SIZE A2	CAGE CODE 00779
DRAWING NO. C-87131	RESTRICTED TO -
SCALE 5:1	SHEET 1 of 1
REV L	

Mouser Electronics

Authorized Distributor

Click to View Pricing, Inventory, Delivery & Lifecycle Information:

[TE Connectivity:](#)

[87131-6](#)