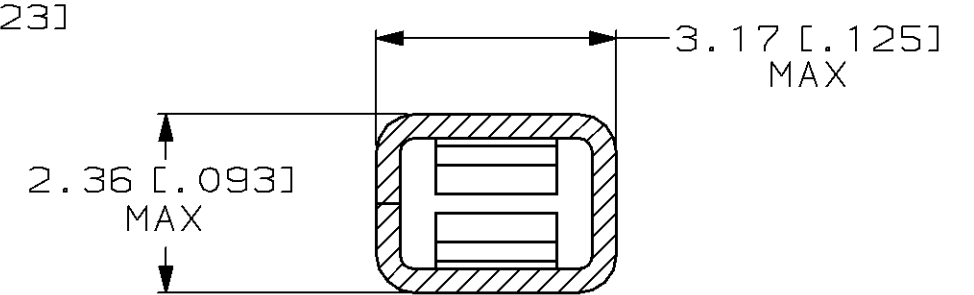
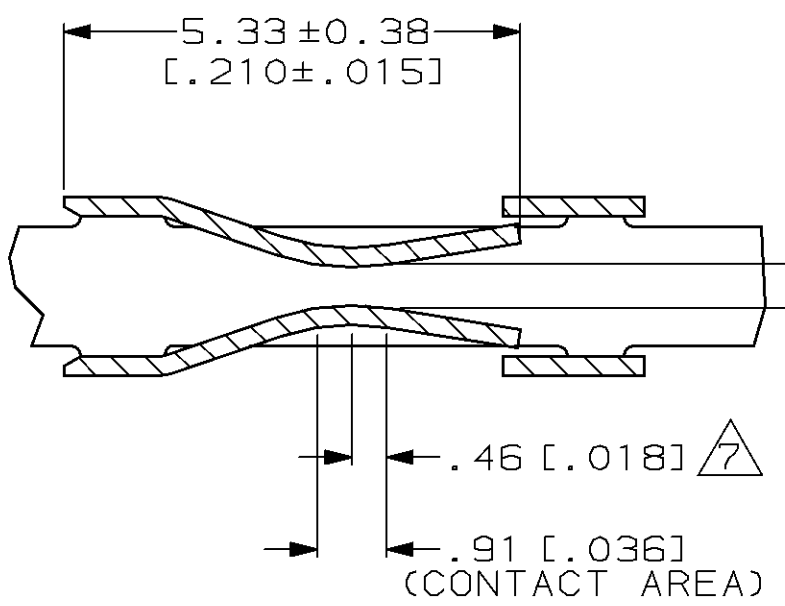
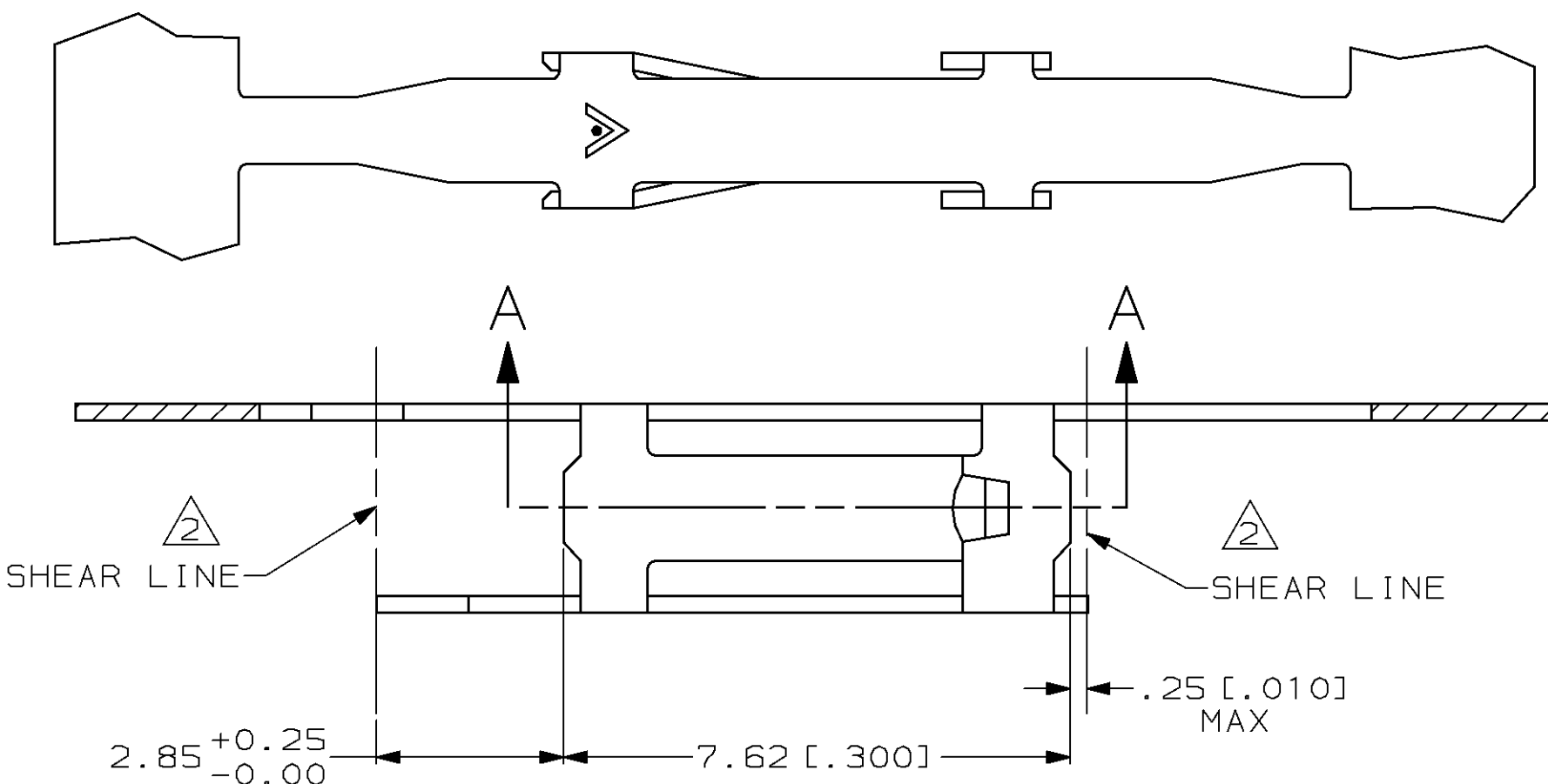


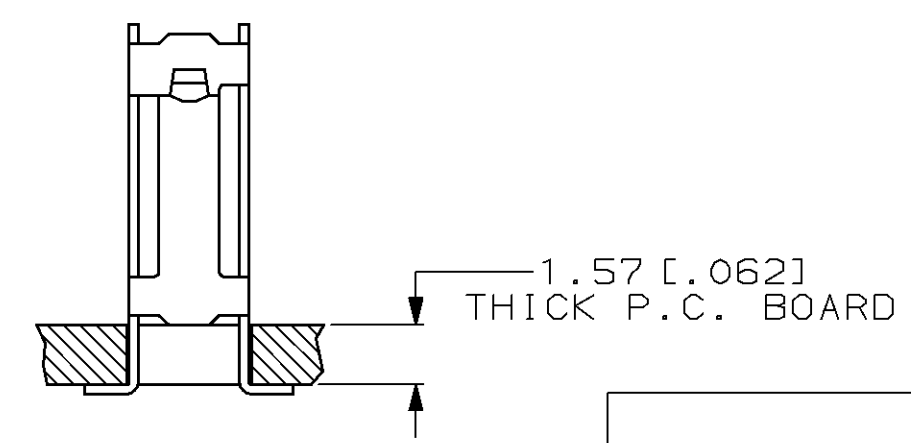
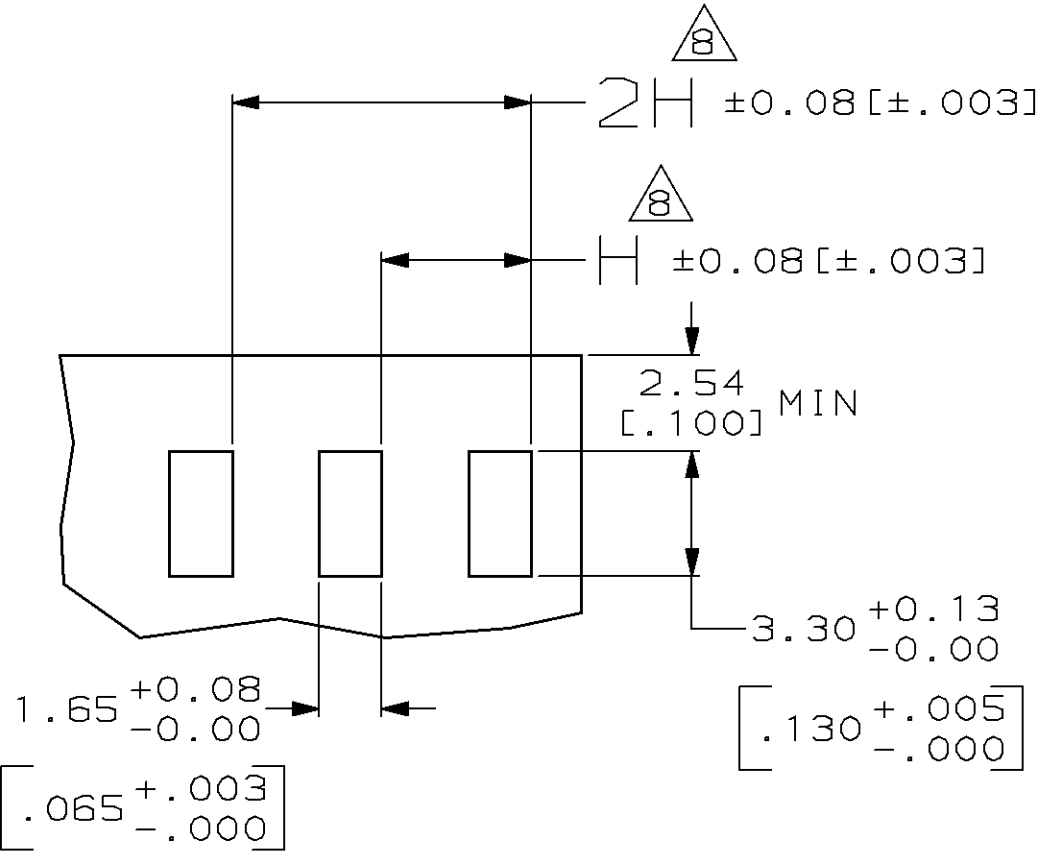
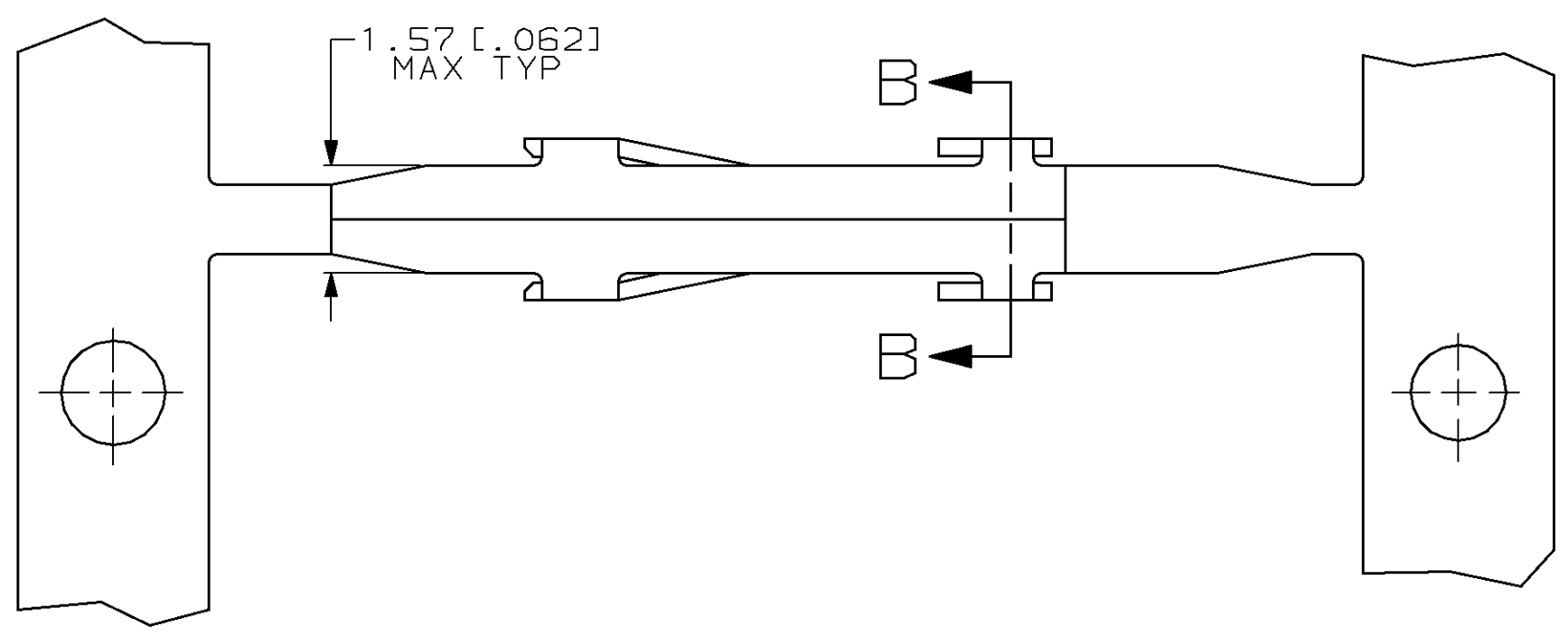
LOC	DIST	P	F	ZONE	LTR	DESCRIPTION	DATE	APPD
AD	39				H	REV PER 0010-1061-94	12-28-96	JH
					J	REV PER 0010-1175-95	12-28-96	JH



SECTION A-A

SECTION B-B

- 1 PHOSPHOR BRONZE 0.25[.010] COML.
- 2 SHEAR LINES DEFINE LOOSE PIECE PART.
- 3 PRE-TINNED 0.00076[.000030] MIN THICK.
- 4 GOLD FLASH OVER 0.00127[.000050] NICKEL ENTIRE CONTACT, 0.00076[.000030] GOLD ON CONTACT AREA.
- 5 0.00038[.000015] GOLD ON CONTACT AREA, 0.00254-0.00508[.000100-.000200] BRIGHT TIN-LEAD ON TERMINATION AREA, ALL OVER 0.00127[.000050] NICKEL.
- 6 0.00076[.000030] GOLD ON CONTACT AREA, 0.00254-0.00508[.000100-.000200] BRIGHT TIN-LEAD ON TERMINATION AREA, ALL OVER 0.00127[.000050] NICKEL.
- 7 POINT OF MEASUREMENT FOR PLATING THICKNESS.
- 8 "H" RECEPTACLE CENTERS MAY VARY DEPENDING ON REQUIREMENTS. MINIMUM NOMINAL CENTERLINE SPACING BETWEEN ADJACENT RECEPTACLES IS 3.18[.125].



OBSOLETE	86443-6	6	1	86442-6
OBSOLETE	86443-3	5	1	86442-4
OBSOLETE	86443-2	4	1	86442-2
	86443-1	3	1	86442-1
	LOOSE PIECE PART NO.	FINISH	MATERIAL	PART NUMBER

DO NOT SCALE PRINT. UNLESS SPECIFIED DIMENSIONS IN mm [INCHES] TOLERANCES ON: 2 PLC DEC ± - 3 PLC DEC ± 0.13[.005] ANGLES ± -		DR 28-DEC-96 E. BRANDBERG CHK 28-DEC-96 J. HERRINGTON APPD 28-DEC-96 J. HERRINGTON APPD 28-DEC-96 D. TROUT		AMP AMP Incorporated Harrisburg, PA 17105-3608	
MATERIAL	SEE TABLE	PRODUCT SPEC	NAME FEMALE CONTACT - VERTICAL TYPE "A", MOD 1, HIGH PRESSURE		
FINISH	SEE TABLE	APPLICATION SPEC	SIZE	CAGE CODE	DRAWING NO
WEIGHT	-	-	C	00779	C=86442
			SCALE	10:1	SHEET 1 OF 1

THIS DRAWING IS A CONTROLLED DOCUMENT FOR AMP INCORPORATED. IT IS SUBJECT TO CHANGE AND THE CONTROLLING ENGINEERING ORGANIZATION SHOULD BE CONTACTED FOR THE LATEST REVISION.

Mouser Electronics

Authorized Distributor

Click to View Pricing, Inventory, Delivery & Lifecycle Information:

[TE Connectivity:](#)

[86442-1](#)