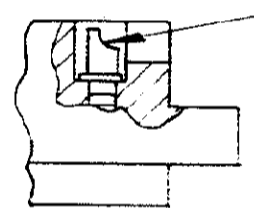
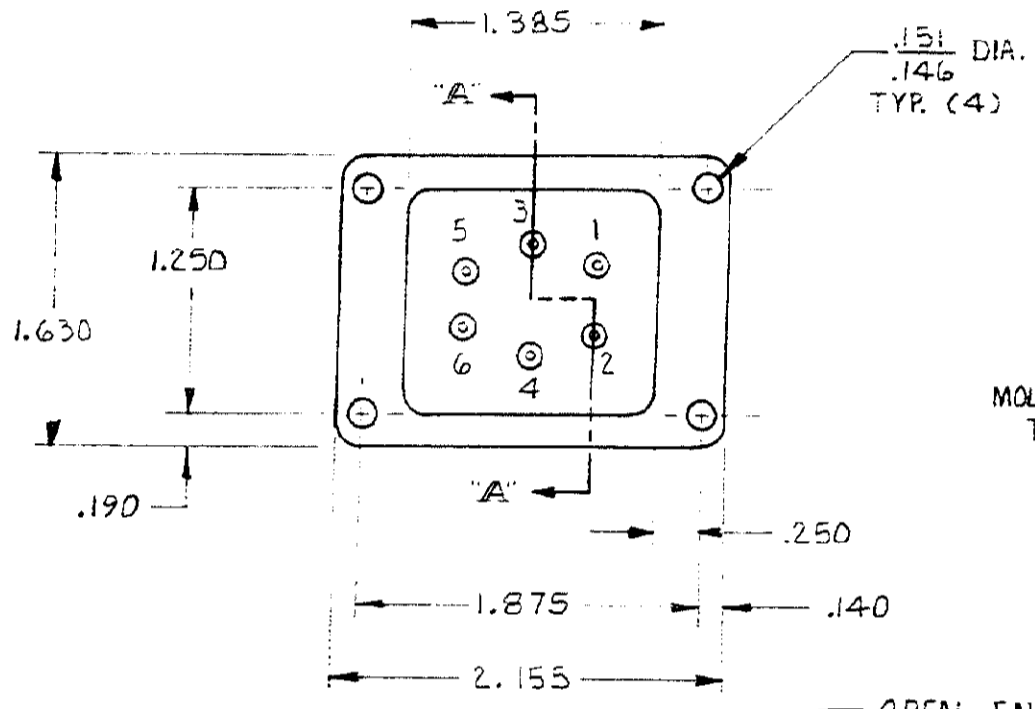
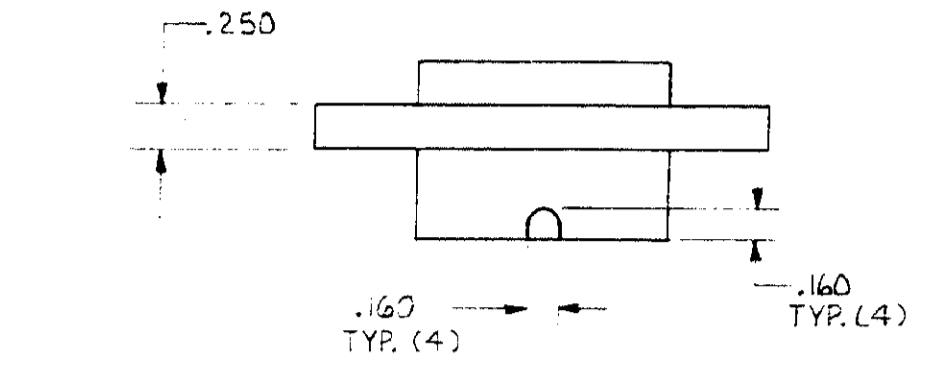
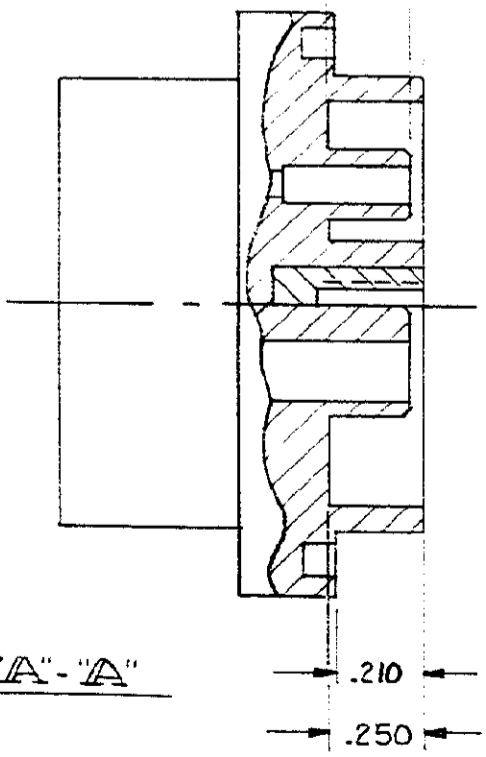
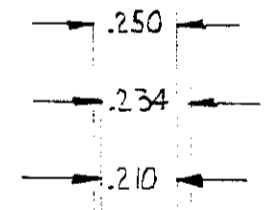


© COPYRIGHT 1977 BY AMP INCORPORATED, HARRISBURG, PA. ALL INTERNATIONAL RIGHTS RESERVED. AMP INCORPORATED PRODUCTS COVERED BY U. S. AND FOREIGN PATENTS AND OR PATENTS PENDING.

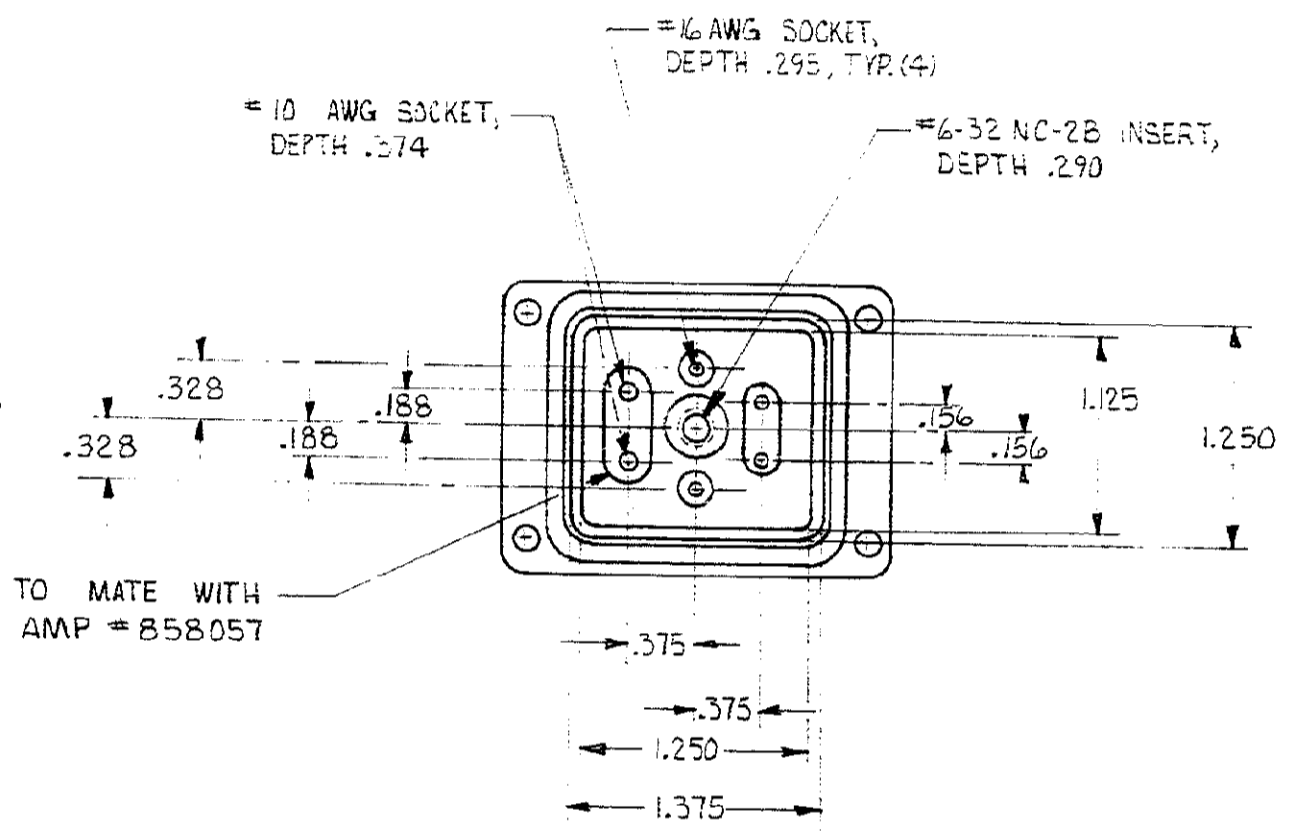
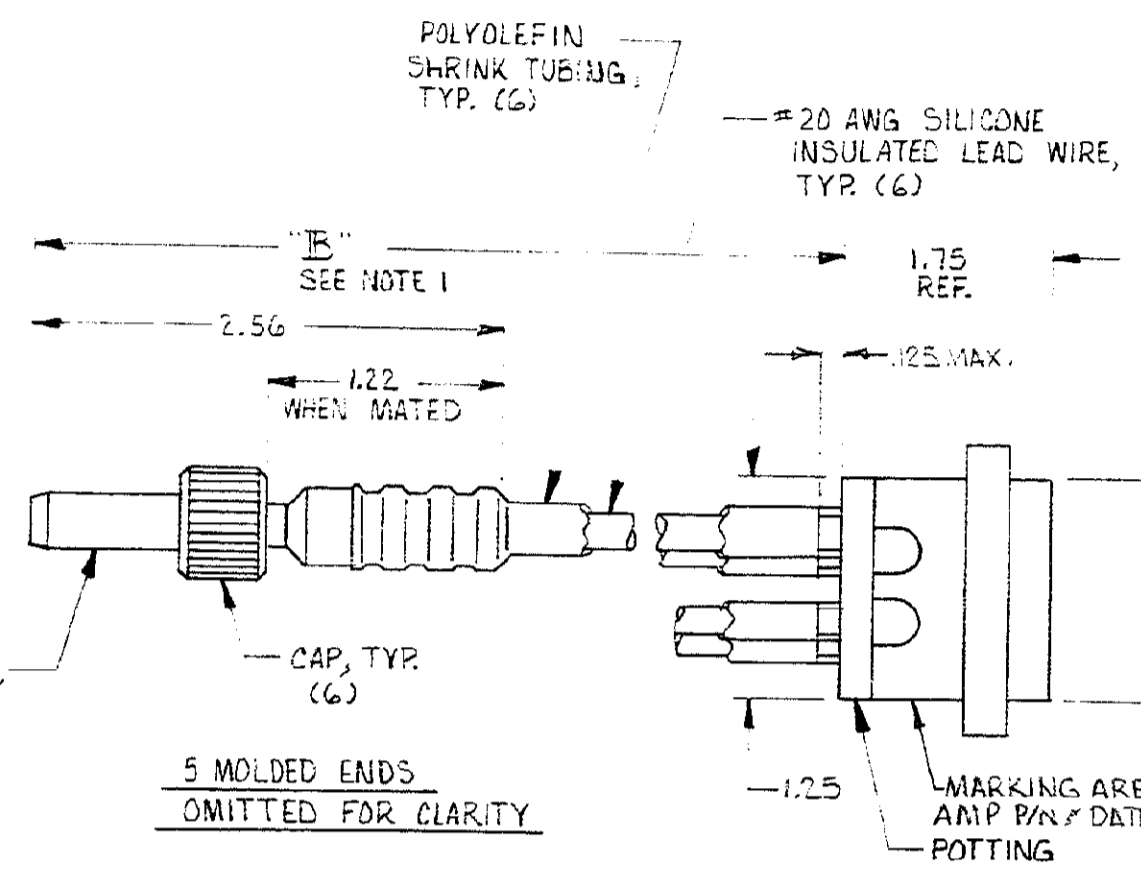
		REVISIONS				
P	F	ZONE	LTR	DESCRIPTION	DATE	APPROVED
		A		REVISED NOTE 5 ECN 0188	11-17-77	MJ
		B		ADDED MARKING AREA 3, 17, 18, 19, 20, 21, 22, 23, 24	7/7/77	MJ
		C		REVISED PER ECO-09-010905	18MAY09	DE



OPEN END OF SOLDER CUP FACING OPEN GROOVE IN HOUSING AS SHOWN TYP. (6)



SECTION "A" - "A"



- NOTE:
- TOLERANCE: UP TO 24" = ±.25
24" & UP = ±2%
 - CUSTOMER MARKING, WHEN REQ'D: SEE CUSTOMERS LATEST SPEC. ON WHERE AND WHAT TO MARK. ALL MARKING TO BE IN BLACK.
 - POTTING COMPOUND: RTV-21 PER MIL-D-46838.
 - RECEP. MAT'L: MOLDED GLASS EPOXY PER MIL-M-24325.
 - HI-POT VOLTAGE: MATED CONDITION
ALL TERMINALS TO SHELL: 17 KVDC.
 - Six position receptacle is not hermetically sealed

863461-1	36.00"
PART NO.	"B" DIM.

UNLESS OTHERWISE SPECIFIED DIMENSIONS ARE IN INCHES. TOLERANCES: .00 ± .02 .000 ± .005 ANGLES ±		CONTRACT NO DR DICK STONE 2-4-77 CHK		Tyco Electronics Tyco Electronics Harrisburg, PA 17105-3608	
MATERIAL		APPD <i>M. Gardner</i> 2/4/77 APPD		NAME RECEPTACLE & LEAD ASSEMBLY	
FINISH		DSGN APPD		SIZE	CODE IDENT NO
NEXT ASSY		OTHER APPD		C	00779
QTY REQD	APPLICATION			DRAWING NO	863461
				LGH	
				SCALE	SHEET 10/1

Mouser Electronics

Authorized Distributor

Click to View Pricing, Inventory, Delivery & Lifecycle Information:

[TE Connectivity:](#)

[863461-1](#)