

DIESES ZEICHNUNGSDOKUMENT WIRD DURCH TE INCORPORATED KONTROLLIERT. AENDERUNGEN, DIE DEM TECHNISCHEN FORTSCHRITT DIENEN, SIND VORBEHALTEN. DEN JEWEILS LETZTUELTIGEN AENDERUNGSSTAND ERFAHREN SIE AUF ANFRAGE.

THIS DRAWING IS A CONTROLLED DOCUMENT FOR TE INCORPORATED. IT IS SUBJECT TO CHANGE AND THE CONTROLLING ENGINEERING ORGANIZATION SHOULD BE CONTACTED FOR THE LATEST REVISION.

RELEASED FOR PUBLICATION  
FREI FÜR VERÖFFENTLICHUNG

ALL RIGHTS RESERVED.  
ALLE RECHTE VORBEHALTEN.

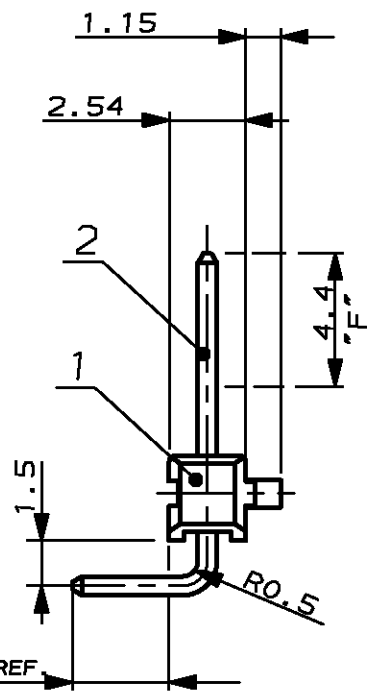
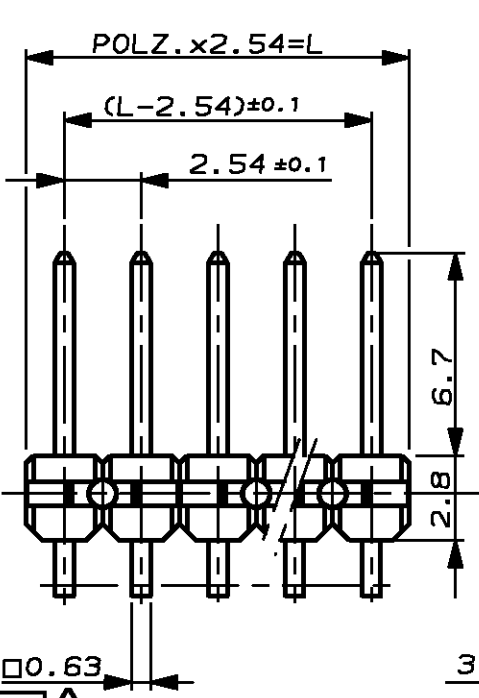
BY TE INCORPORATED.  
COPYRIGHT 1975

THIS DRAWING IS UNPUBLISHED.  
VERTRAULICHE UNVERÖFFENTLICHTETE ZEICHNUNG.

|                            |                  |           |
|----------------------------|------------------|-----------|
| MATED WITH:<br>PASSEND ZU: | LOC<br><b>AI</b> | DIST<br>- |
| PROJEKT NR.:               | <b>E 75-9231</b> |           |

| REVISIONS<br>AENDERUNGEN<br>DESCRIPTION<br>BESCHREIBUNG   | DATE       | DWN | APVD |
|---|------------|-----|------|
| v Contact pin base material change from CuSn (Phosphor bronze) to CuZn (Brass). Plating change from min. 0.8microns gold plating to min. 0.7 microns Pd Ni + 0.1 microns gold flash at contact area (Area F). | 24JUN 2014 | TJ  | JK   |

| POLZ. | L±0.5  | BESTELL-NR.   |
|-------|--------|---------------|
| -     | -      | -             |
| 2     | 5.08   | 825 437 -2    |
| 3     | 7.62   | -3            |
| 4     | 10.16  | -4            |
| 5     | 12.70  | -5            |
| 6     | 15.24  | -6            |
| 7     | 17.78  | -7            |
| 8     | 20.32  | -8            |
| 9     | 22.86  | -9            |
| 10    | 25.40  | 1- -0         |
| 11    | 27.94  | 1- -1         |
| 12    | 30.48  | 1- -2         |
| 13    | 33.02  | 1- -3         |
| 14    | 35.56  | 1- -4         |
| 15    | 38.10  | 1- -5         |
| 16    | 40.64  | 1- -6         |
| 17    | 43.18  | 1- -7         |
| 18    | 45.72  | 1- -8         |
| 19    | 48.26  | 1- -9         |
| 20    | 50.80  | 2- -0         |
| 21    | 53.34  | 2- +1         |
| 22    | 55.88  | 2- -2         |
| 23    | 58.42  | 2- -3         |
| 24    | 60.96  | 2- -4         |
| 25    | 63.50  | 2- -5         |
| 26    | 66.04  | 2- -6         |
| 27    | 68.58  | 2- -7         |
| 28    | 71.12  | 2- -8         |
| 29    | 73.66  | 2- -9         |
| 30    | 76.20  | 3- -0         |
| 31    | 78.74  | 3- -1         |
| 32    | 81.28  | 3- -2         |
| 33    | 83.82  | 3- -3         |
| 34    | 86.36  | 3- +4         |
| 35    | 88.90  | 3- -5         |
| 36    | 91.44  | 3- -6         |
| 37    | 93.98  | 3- -7         |
| 38    | 96.52  | 3- -8         |
| 39    | 99.06  | 3- -9         |
| 40    | 101.60 | 4- -0         |
| 41    | 104.14 | 4- +1         |
| 42    | 106.68 | 4- -2         |
| 43    | 109.22 | 4- -3         |
| 44    | 111.76 | 4- +4         |
| 45    | 114.30 | 4- -5         |
| 46    | 116.84 | 4- -6         |
| 47    | 119.38 | 4- -7         |
| 48    | 121.92 | 4- -8         |
| 49    | 124.46 | 4- -9         |
| 50    | 127.00 | 5- 825 437 -0 |



- 1 MATING SIDE: MIN 0.7µm PdNi + 0.1µm GOLD FLASH. SOLDER SIDE: MIN 2.5µm TIN OVER 1.27µm NICKEL.
- 2 OBSOLETE PARTS: OBSOLETE CIS STREAMLINING PER D.RENAUD/D.SINISI
- 3 OBSOLETE

| CUSTOMER PART NO | TE PART NO | REV. | PCS. | MATERIAL | SURFACE COLOR | DESCRIPTION                 | ITEM NO |
|------------------|------------|------|------|----------|---------------|-----------------------------|---------|
| -                | -          | -    | -    | Cu Zn    | 1             | CONTACT PIN<br>KONTAKTSTIFT | 2       |
| -                | -          | -    | -    | PBT GV   | GREEN GRÜN    | PIN HOUSING<br>STIFTGEHÄUSE | 1       |

|  |   |  |   |                           |   |
|--|---|--|---|---------------------------|---|
| DIMENSIONS:<br>DIMENSIONEN:<br>mm<br><br>TOLERANCES UNLESS OTHERWISE SPECIFIED:<br>ALLGEMEINTOLERANZEN<br>P.P.: ISO 8015<br>P.P.: ISO 2768 - mH - E<br>P.P.: DIN 16901 - 140<br>P.L.C. ±0.2<br>P.L.C. ±0.2<br>P.L.C. ±0.2<br>P.L.C. ±<br>ANGLES/WINKEL ±1° | DWN<br><b>DAHLHEIMER</b><br>05.12.75        | MATERIAL   | FINISH<br>OBERFLÄCHE/FARBE                                      | -                         |   |
|  | CHK<br><b>BÖCK</b><br>17.12.75              | TE Connectivity  |   |                           |   |
|  | APVD<br>-                                   | NAME<br><b>AMPMODU II PIN HEADER, 90DEGREE, SINGLE ROW</b> | SIZE<br><b>A4</b>   | CAGE CODE<br><b>00779</b> | DRAWING NO<br>ZEICHNUNGS-NR.<br><b>825437</b> |
| PRODUCT SPEC<br>PRODUKTSPEZ.<br><b>108-18012</b>   | APPLICATION SPEC<br>VERARBEITUNGSSPEZ.<br>- | WEIGHT<br>GEWICHT<br>-                                     | MASSSTAB <b>4:1</b>   BLATT <b>1</b> OF <b>1</b>   REV <b>v</b> |                           |   |
| <b>CUSTOMER DRAWING / KUNDENZEICHNUNG</b>  |   |  |   |                           |   |

# Mouser Electronics

Authorized Distributor

Click to View Pricing, Inventory, Delivery & Lifecycle Information:

[TE Connectivity:](#)

[1-825437-8](#)