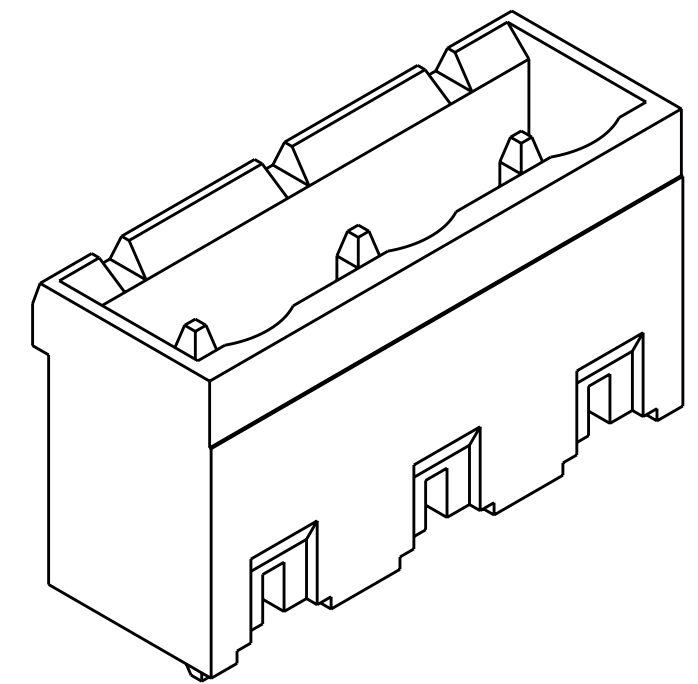
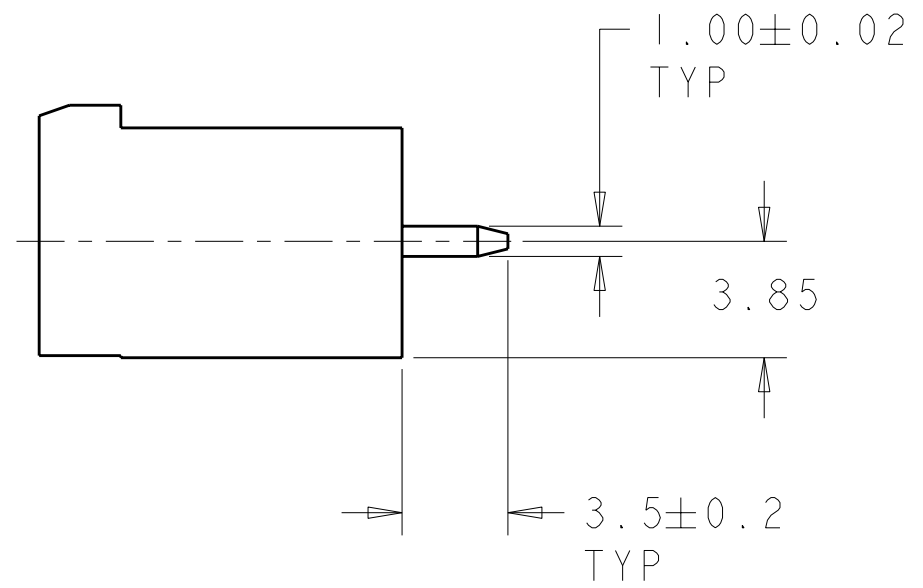
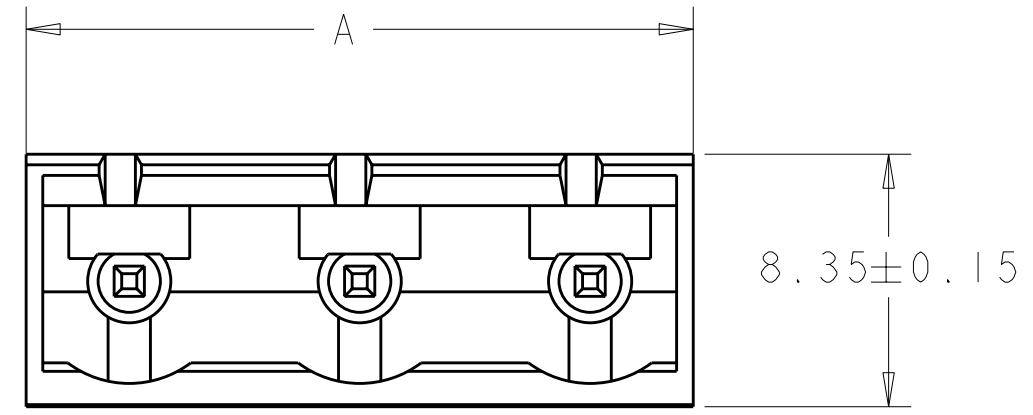
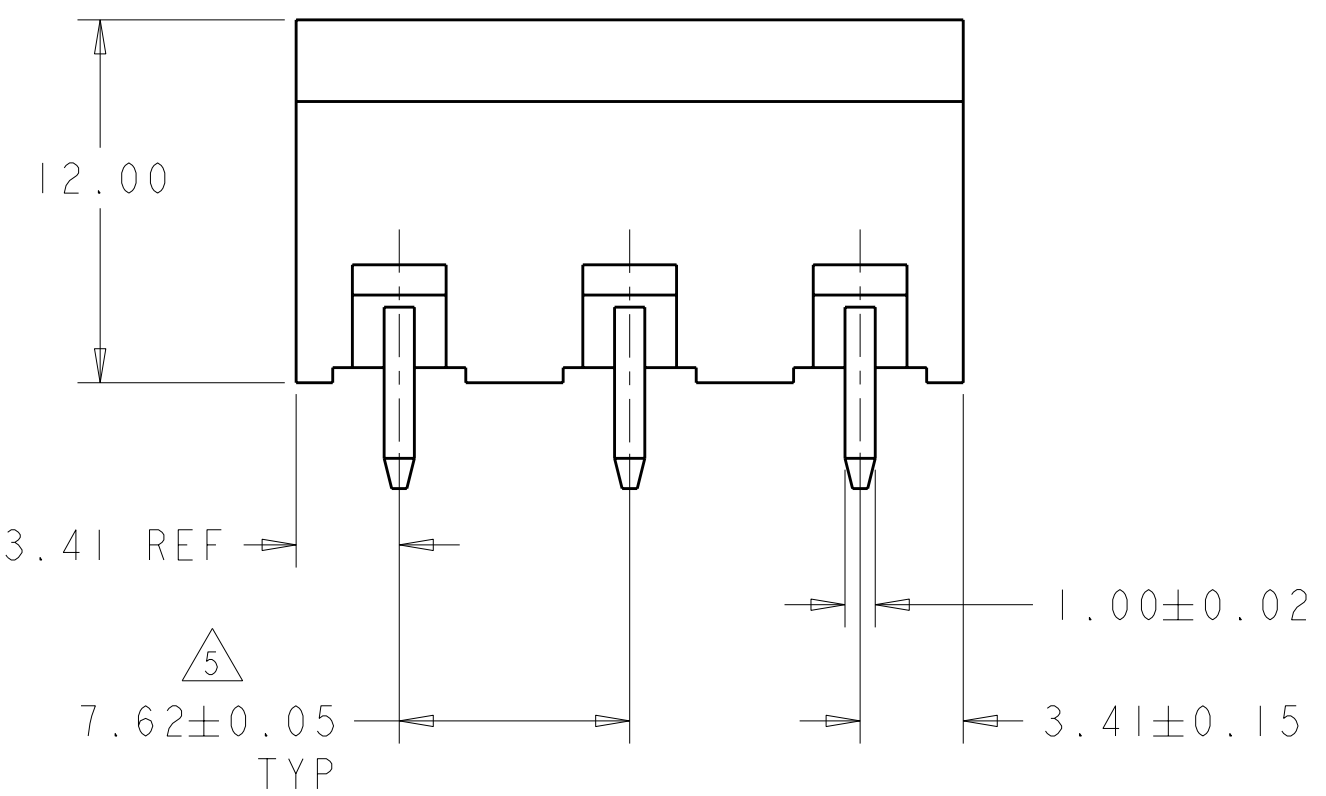


THIS DRAWING IS UNPUBLISHED. RELEASED FOR PUBLICATION 20  
 © COPYRIGHT 20 Tyco Electronics AMP GmbH ALL RIGHTS RESERVED.

LOC	DIST	REVISIONS			
P	LTR	DESCRIPTION	DATE	DWN	APVD
FT	0	E1	REVISED PER ECO-12-007711	26APR2012	KH MS

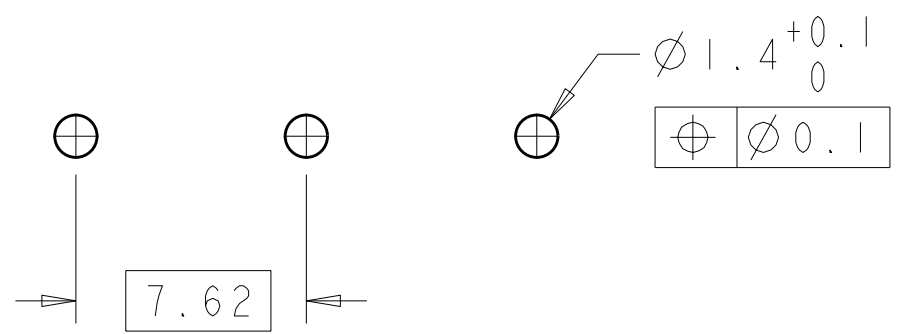


796980-3 AS SHOWN



- 1. MATERIALS AND FINISH:  
 HOUSING: PA 6-6, UL 94-V0, COLOR: SEE TABLE.  
 TERMINAL: COPPER ALLOY, TIN PLATED.
  - 2. SUITABLE FOR 1,6-2, 4mm PC BOARD THICKNESS.
  - 3. RECOGNIZED UNDER THE COMPONENT PROGRAM OF UNDERWRITERS LABORATORIES INC. FILE N° E60677.
  - 4. IMQ CERTIFICATE WITH SURVEILLANCE IN CONFORMITY WITH IEC 998-1/998-2-1.)
5. NOT CUMULATIVE TOLERANCE

GRAY	14.44	2	2-796980-2
GREEN	90.64	12	1-796980-2
GREEN	83.02	11	1-796980-1
GREEN	75.40	10	1-796980-0
GREEN	67.78	9	796980-9
GREEN	60.16	8	796980-8
GREEN	52.54	7	796980-7
GREEN	44.92	6	796980-6
GREEN	37.30	5	796980-5
GREEN	29.68	4	796980-4
GREEN	22.06	3	796980-3
GREEN	14.44	2	796980-2
MATERIAL COLOR	A	NO OF POSN	PART NUMBER



RECOMMENDED PC BOARD LAYOUT

THIS DRAWING IS A CONTROLLED DOCUMENT.

DIMENSIONS: mm	TOLERANCES UNLESS OTHERWISE SPECIFIED:	DWN: 29MAR2001 E. ZANOLINI	TE Connectivity NAME: TERMINAL BLOCK, HEADER ASSEMBLY 180 DEGREES, CLOSED ENDS 7.62mm, PITCH
	0 PLC ±	CHK: 29MAR2001 D. BIEVENOUR	
	1 PLC ±0.2	APVD: 29MAR2001 D. BIEVENOUR	
	2 PLC ±	PRODUCT SPEC	
	3 PLC ±	APPLICATION SPEC	SIZE: A200779
	4 PLC ±	WEIGHT: -	CAGE CODE: C-796980
MATERIAL	ANGLES ±	CUSTOMER DRAWING	RESTRICTED TO: -
	FINISH	SCALE: 4:1	SHEET 1 OF 1

# Mouser Electronics

Authorized Distributor

Click to View Pricing, Inventory, Delivery & Lifecycle Information:

[TE Connectivity:](#)

[796980-5](#)