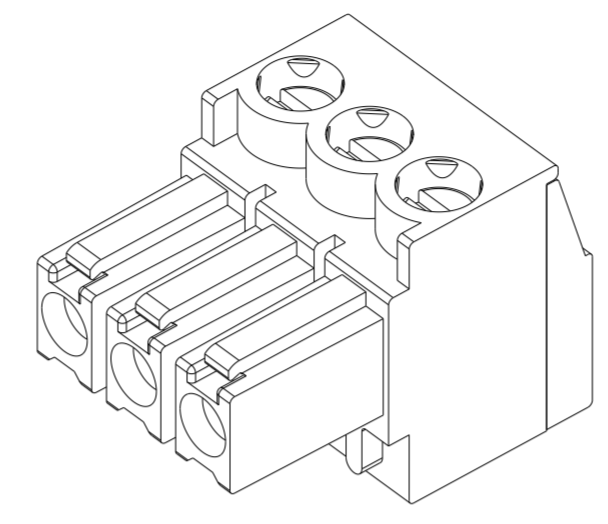
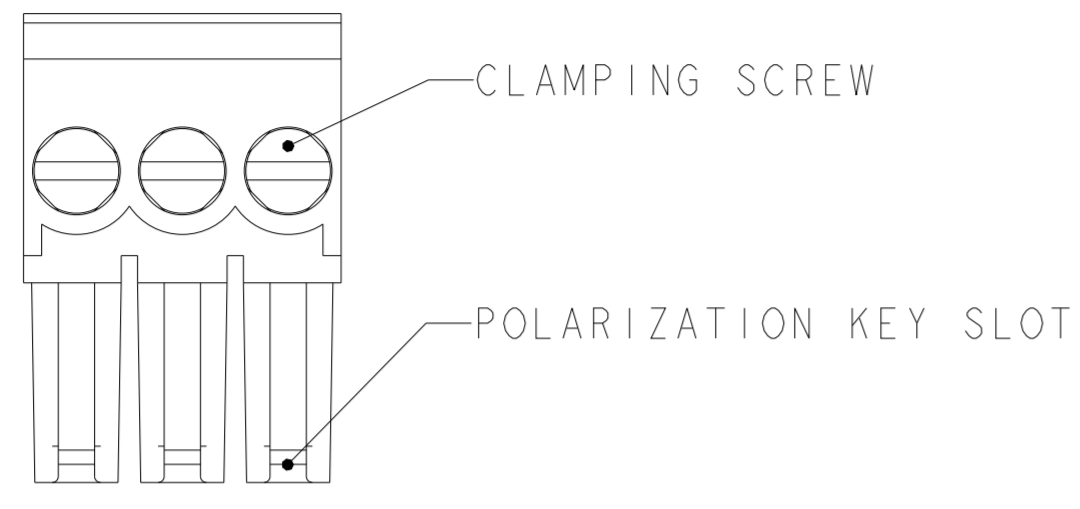
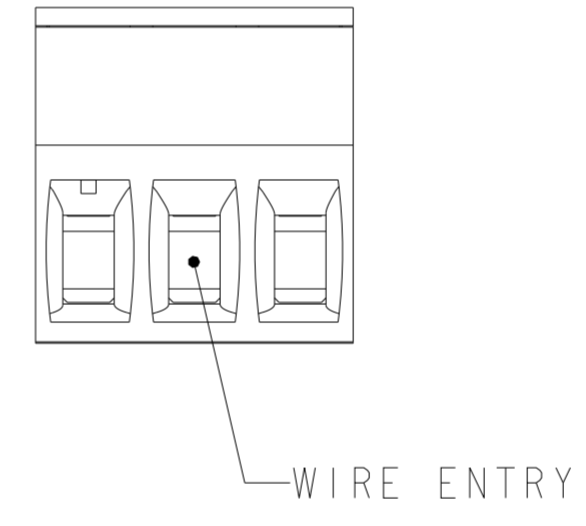
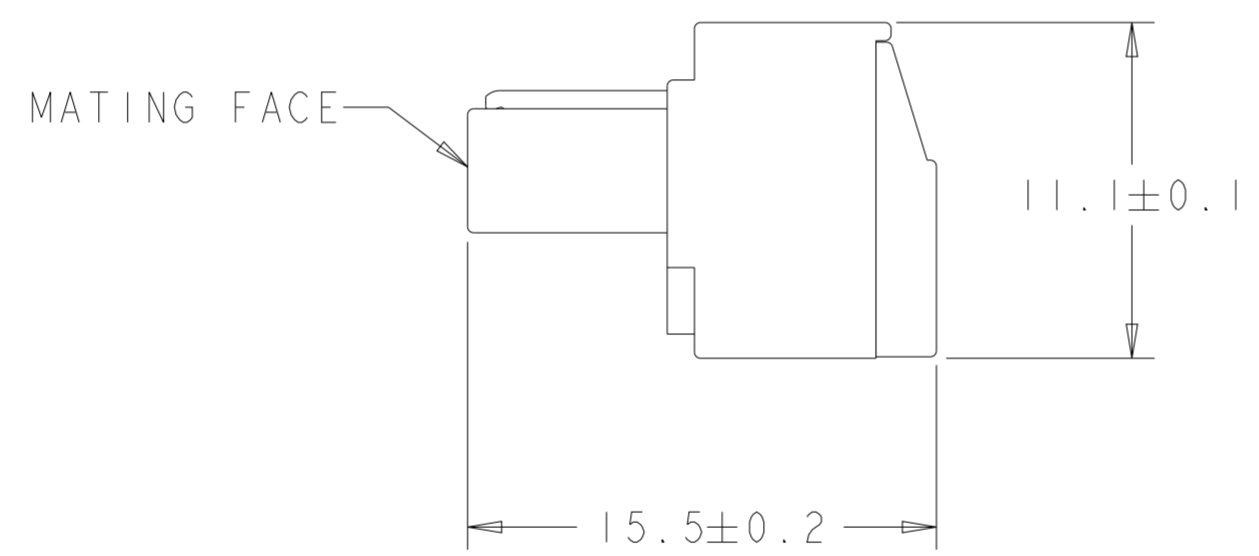
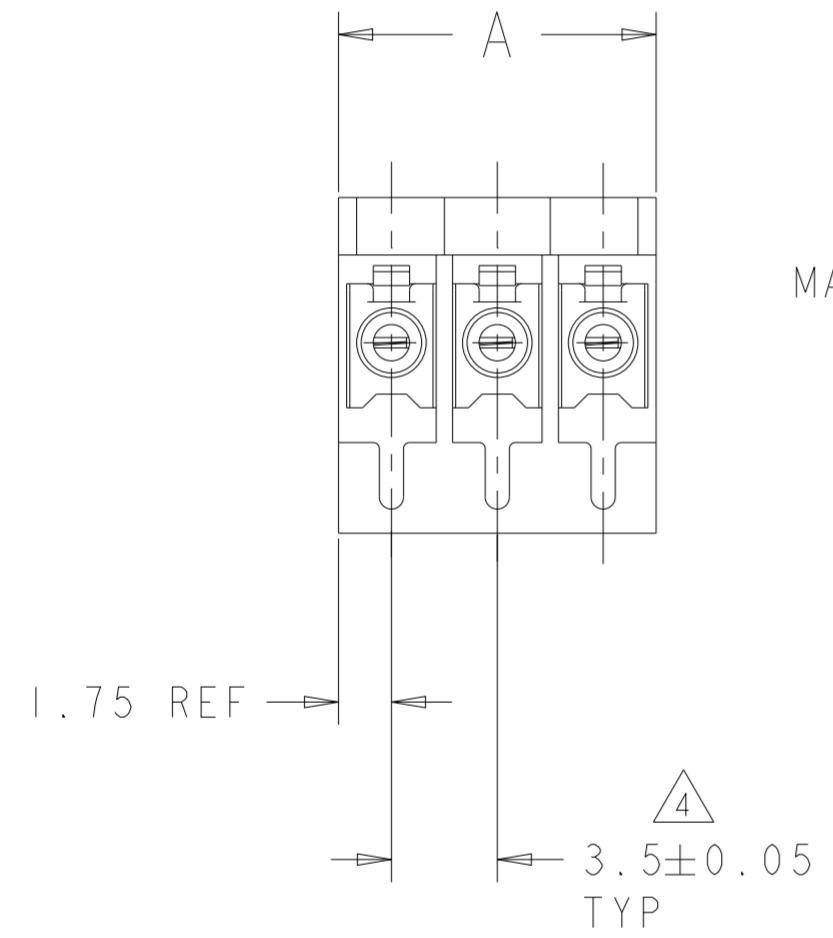


REVISIONS				
P	LTR	DESCRIPTION	DATE	APVD
B2		REVISED PER ECO-11-012727	21 JUN2011	HMR CR
B3		PART STATUS UPDATED	07 JUL2021	SB SS



796693-3 AS SHOWN



6	SEE SHEET 2	28.0	8	-4-796693-1
6	SEE SHEET 2	21.0	6	-4-796693-0
	SEE SHEET 2	31.5	9	3-796693-9
	SEE SHEET 2	14.0	4	3-796693-4
6	SEE SHEET 2	35.0	10	-3-796693-0
-		87.5	25	2-796693-5
-		84.0	24	2-796693-4
-		80.5	23	2-796693-3
-		77.0	22	2-796693-2
-		73.5	21	2-796693-1
-		70.0	20	2-796693-0
-		66.5	19	1-796693-9
-		63.0	18	1-796693-8
-		59.5	17	1-796693-7
-		56.0	16	1-796693-6
-		52.5	15	1-796693-5
-		49.0	14	1-796693-4
-		45.5	13	1-796693-3
-		42.0	12	1-796693-2
-		38.5	11	1-796693-1
-		35.0	10	1-796693-0
-		31.5	9	796693-9
-		28.0	8	796693-8
-		24.5	7	796693-7
-		21.0	6	796693-6
-		17.5	5	796693-5
-		14.0	4	796693-4
-		10.5	3	796693-3
-		7.0	2	796693-2
INK STAMPING		A	NO. OF POSN	PART NUMBER

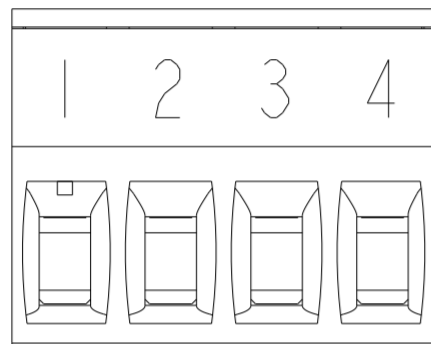
- 1 MATERIALS AND FINISH:  
HOUSING : PA 6.6, UL 94-V0, COLOR: BLUE.  
CLAMP : BRASS, NICKEL PLATED  
TERMINAL : BRASS, TIN PLATED  
CONTACT SPRING : PHOSPHOR BRONZE, TIN PLATED  
CLAMPING SCREW : M2, BRASS, NICKEL PLATED

- 2. END-TO-END STACKABLE WITHOUT LOSS OF CENTERLINE SPACING
- 3. WIRE SIZE RANGE: 14-30 AWG (UL APPROVAL)
- 4 NOT CUMULATIVE TOLERANCE.
- 5 CHARACTERS INK STAMPED AS SHOWN, COLOR: WHITE.
- 6 OBSOLETE

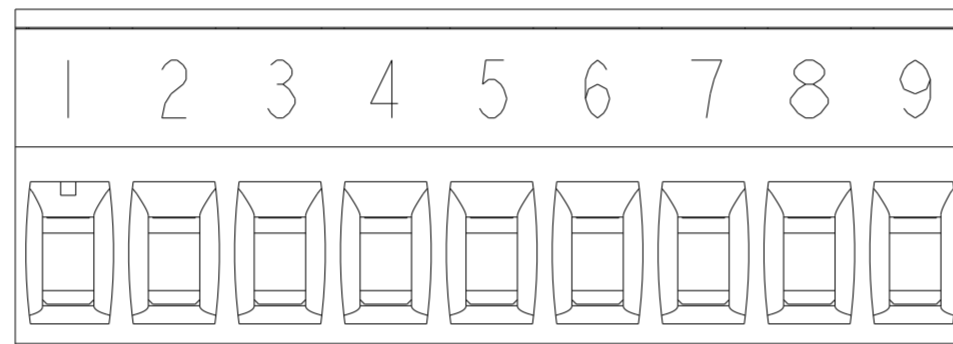
THIS DRAWING IS A CONTROLLED DOCUMENT.

DIMENSIONS: mm	TOLERANCES UNLESS OTHERWISE SPECIFIED: 0 PLC ± 1 PLC ± 2 PLC ± 3 PLC ± 4 PLC ± ANGLES ± FINISH	DWN S. WELDON 27NOV2000 CHK D. BIEVENOUR 27NOV2000 APVD D. BIEVENOUR 27NOV2000	TE Connectivity	
MATERIAL		PRODUCT SPEC 108-20166 APPLICATION SPEC 114-20079 WEIGHT -	NAME: TERMINAL BLOCK, PLUG, STACKING 3.5 mm PITCH SIZE: A2 CAGE CODE: 00779 DRAWING NO: C-796693 RESTRICTED TO:	
CUSTOMER DRAWING		SCALE: 4:1	SHEET: 1 OF 2	REV: B3

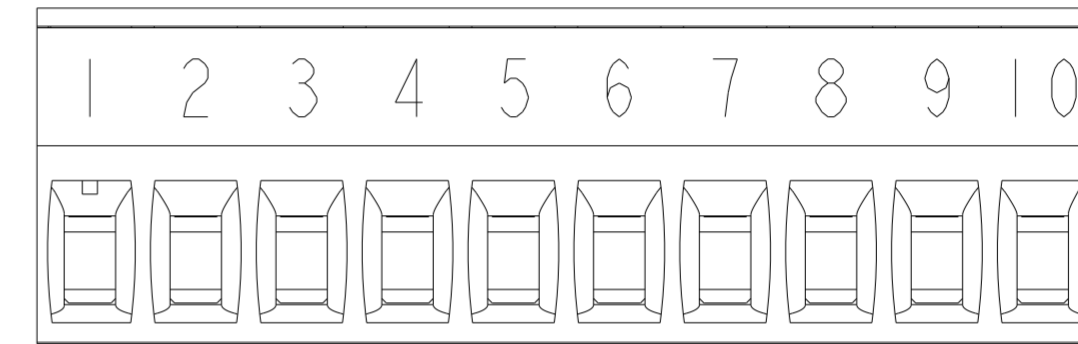
REVISIONS				
P	LTR	DESCRIPTION	DATE	APVD
-		SEE SHEET 1	-	-



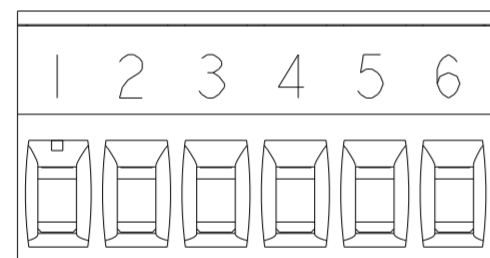
3-796693-4 AS SHOWN  $\triangle 5$



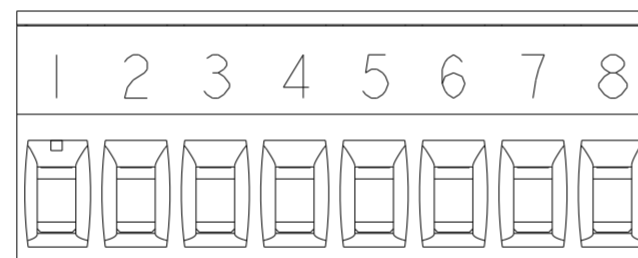
3-796693-9 AS SHOWN  $\triangle 5$



3-796693-0 AS SHOWN  $\triangle 5$



4-796693-0 AS SHOWN  $\triangle 5$



4-796693-1 AS SHOWN  $\triangle 5$

THIS DRAWING IS A CONTROLLED DOCUMENT.		DWN S. WELDON 27NOV2000	<b>STE</b> TE Connectivity	
DIMENSIONS: mm		CHK D. BIEVENOUR 27NOV2000		
TOLERANCES UNLESS OTHERWISE SPECIFIED:		APVD D. BIEVENOUR 27NOV2000	NAME TERMINAL BLOCK , PLUG, STACKING 3.5 mm PITCH	
0 PLC $\pm$		PRODUCT SPEC 108-20166	SIZE A2	
1 PLC $\pm$		APPLICATION SPEC 114-20079	CAGE CODE 00779	DRAWING NO C-796693
2 PLC $\pm$		WEIGHT -	RESTRICTED TO	
3 PLC $\pm$		CUSTOMER DRAWING	SCALE 4:1	SHEET 2 OF 2
4 PLC $\pm$				REV B3
ANGLES $\pm$				
FINISH -				

# Mouser Electronics

Authorized Distributor

Click to View Pricing, Inventory, Delivery & Lifecycle Information:

[TE Connectivity:](#)

[1-796693-5](#)