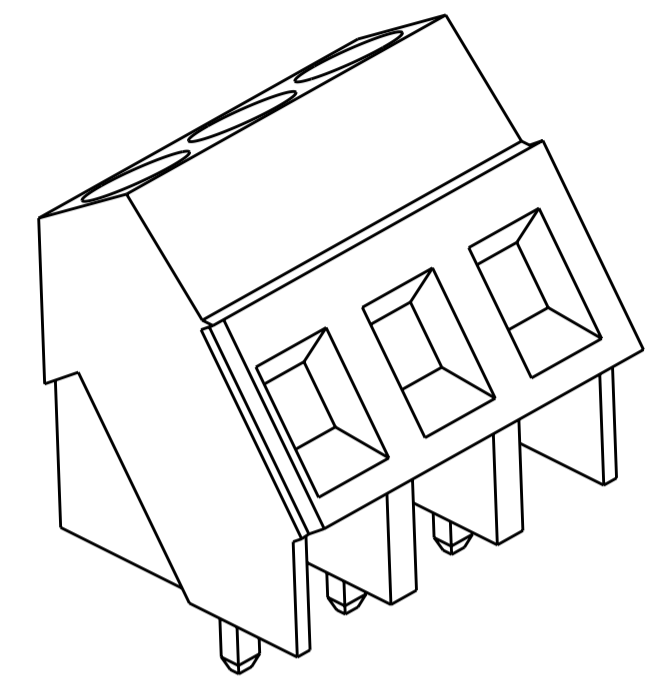
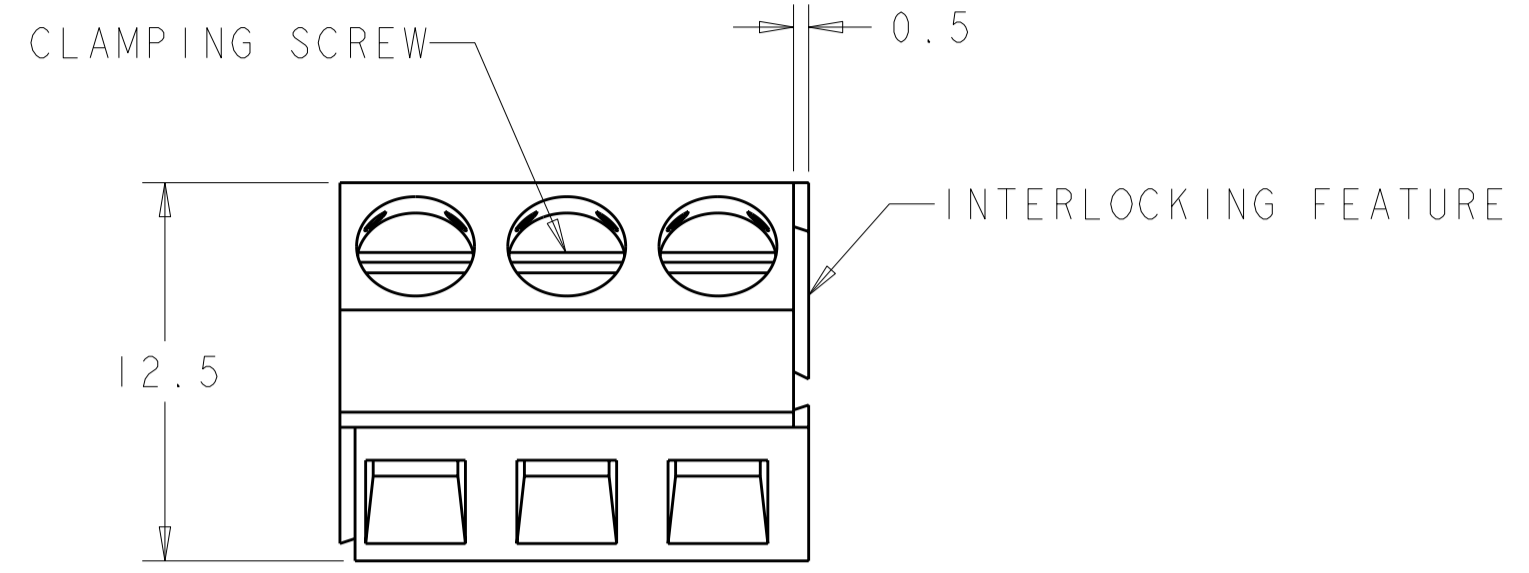
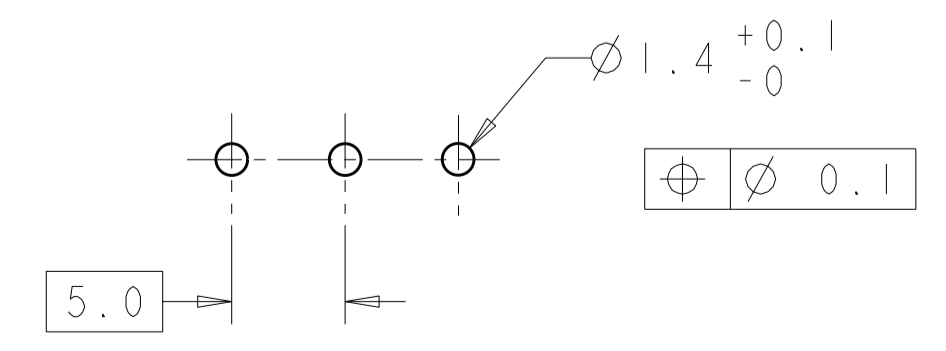
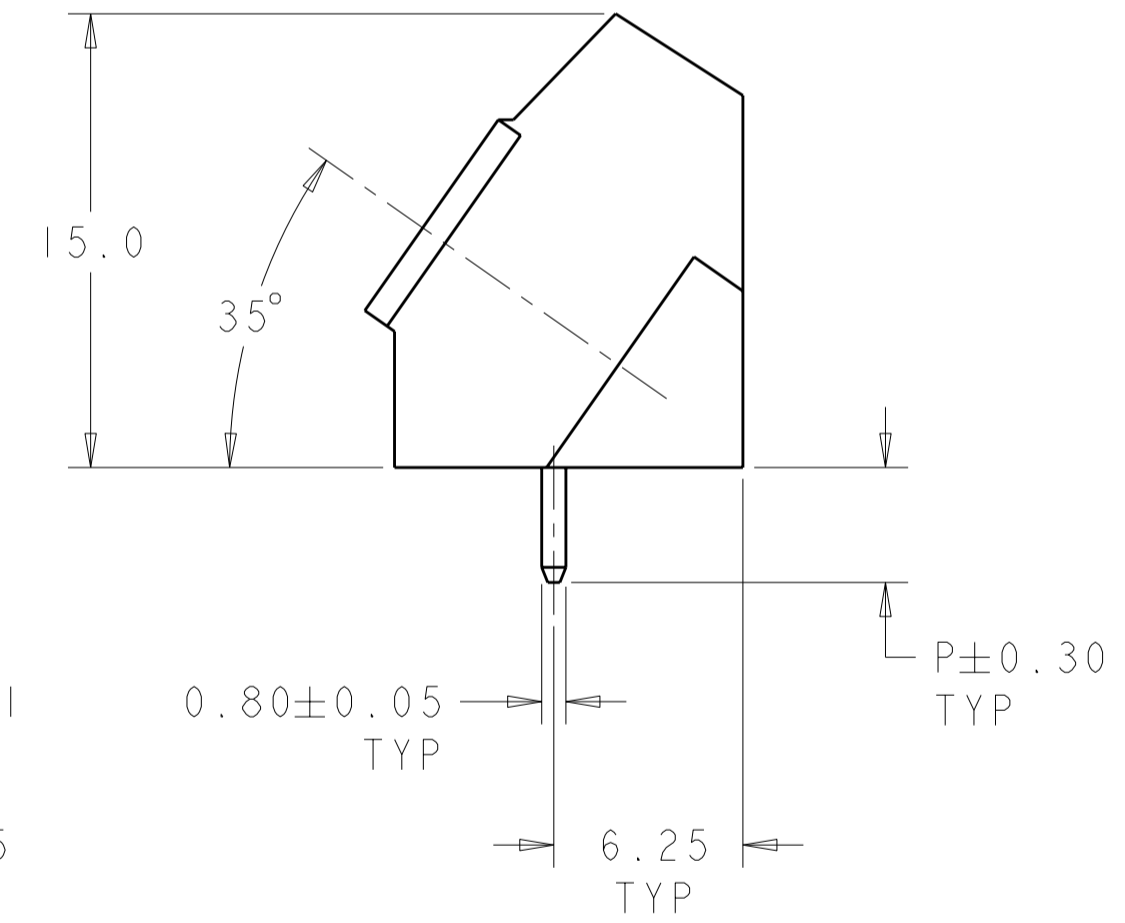
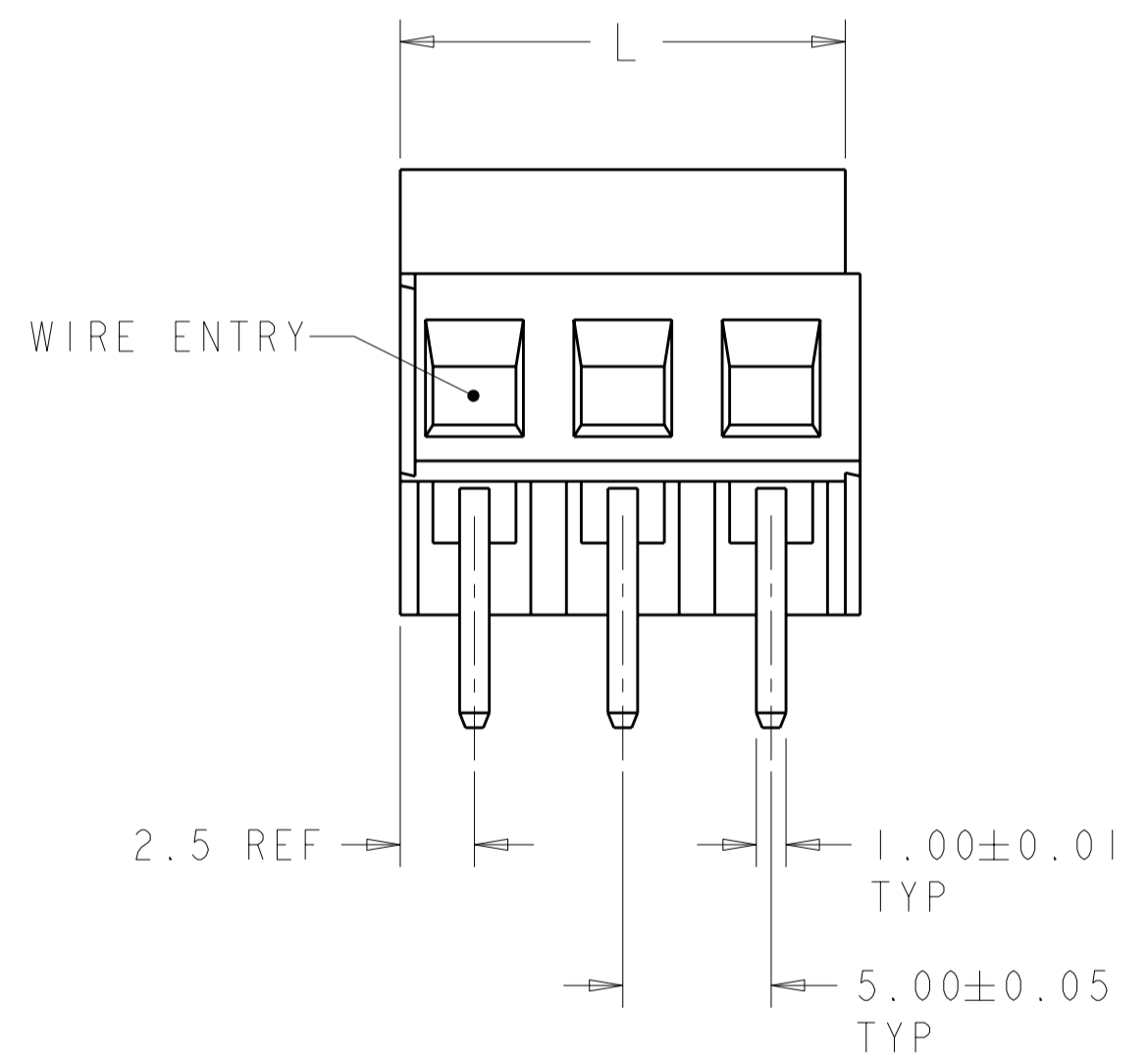


THIS DRAWING IS UNPUBLISHED. RELEASED FOR PUBLICATION 20  
 © COPYRIGHT 20 BY - ALL RIGHTS RESERVED.

LOC		DIST		REVISIONS			
P	LTR	DESCRIPTION	DATE	DWN	APVD		
FT	0	E3	REVIS PER ECO-11-008211	21APR2011	HMR	CR	



796690-3 AS SHOWN



RECOMMENDED PC BOARD LAYOUT

INK COLOR	MARKING	P	L	NO OF POSN	PART NUMBER
BLACK	SEE DETAIL J	3.8	10	2	5-796690-6
BLACK	SEE DETAIL H	3.8	10	2	5-796690-5
BLACK	SEE DETAIL G	3.8	10	2	5-796690-4
-	-	6.0	15	3	5-796690-3
-	-	6.0	10	2	5-796690-2
9	SEE DETAIL B	3.8	10	2	4-796690-2
8	SEE DETAIL F	3.8	40	8	3-796690-8
9	SEE DETAIL C	3.8	15	3	3-796690-3
-	-	3.8	100	20	2-796690-0
9	SEE DETAIL C	3.8	15	3	1-796690-9
9	SEE DETAIL B	3.8	10	2	1-796690-8
-	-	6.0	15	3	1-796690-7
-	-	6.0	10	2	1-796690-6
8	SEE DETAIL E	3.8	25	5	1-796690-5
8	SEE DETAIL D	3.8	20	4	1-796690-4
8	SEE DETAIL A	3.8	10	2	1-796690-3
-	-	3.8	60	12	1-796690-2
-	-	3.8	55	11	1-796690-1
-	-	3.8	50	10	1-796690-0
-	-	3.8	45	9	796690-9
-	-	3.8	40	8	796690-8
-	-	3.8	35	7	796690-7
-	-	3.8	30	6	796690-6
-	-	3.8	25	5	796690-5
-	-	3.8	20	4	796690-4
-	-	3.8	15	3	796690-3
-	-	3.8	10	2	796690-2

THIS DRAWING IS A CONTROLLED DOCUMENT. DWN E.ZANOLINI 14MAR2001  
 CHK D.BIEVENOUR 14MAR2001  
 APVD D.BIEVENOUR 14MAR2001

**STE** TE Connectivity

NAME: TERMINAL BLOCK, PCB MOUNT  
 ANGLED WIRE ENTRY, STACKING  
 W/INTERLOCK, 5mm PITCH

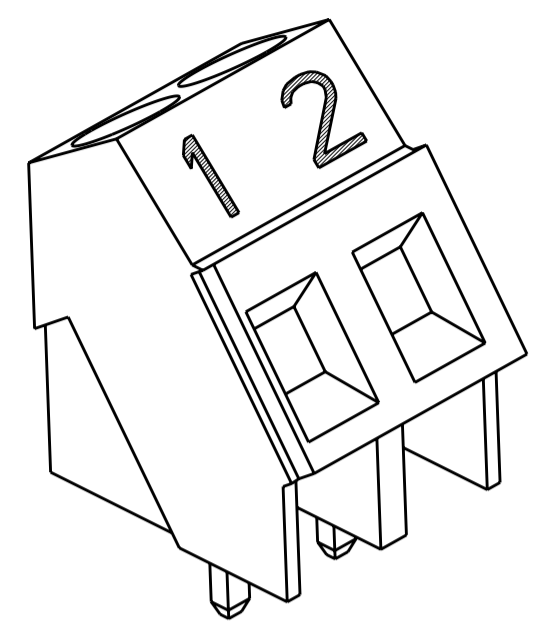
PRODUCT SPEC: 108-20166  
 APPLICATION SPEC: 114-20079

MATERIAL: - -  
 DIMENSIONS: mm  
 TOLERANCES UNLESS OTHERWISE SPECIFIED:  
 0 PLC ±3  
 1 PLC ±.3  
 2 PLC ±.25  
 3 PLC ±.  
 4 PLC ±.  
 ANGLES ±2  
 FINISH - -

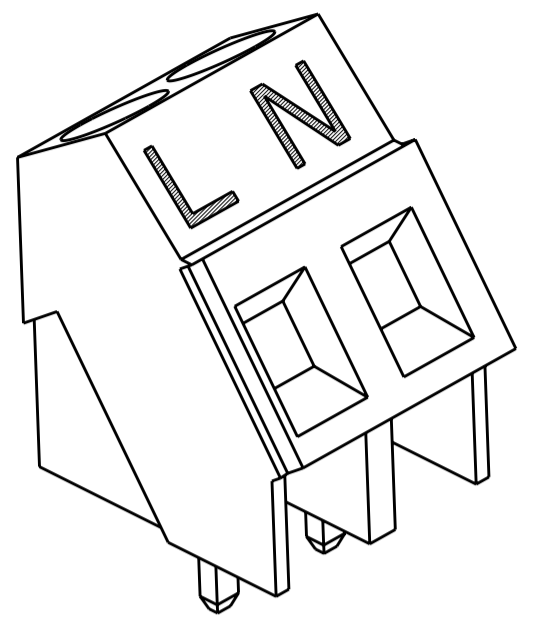
SCALE: 3:1 SHEET 1 OF 2 REV E3

THIS DRAWING IS UNPUBLISHED. RELEASED FOR PUBLICATION 20  
 © COPYRIGHT 20 BY - ALL RIGHTS RESERVED.

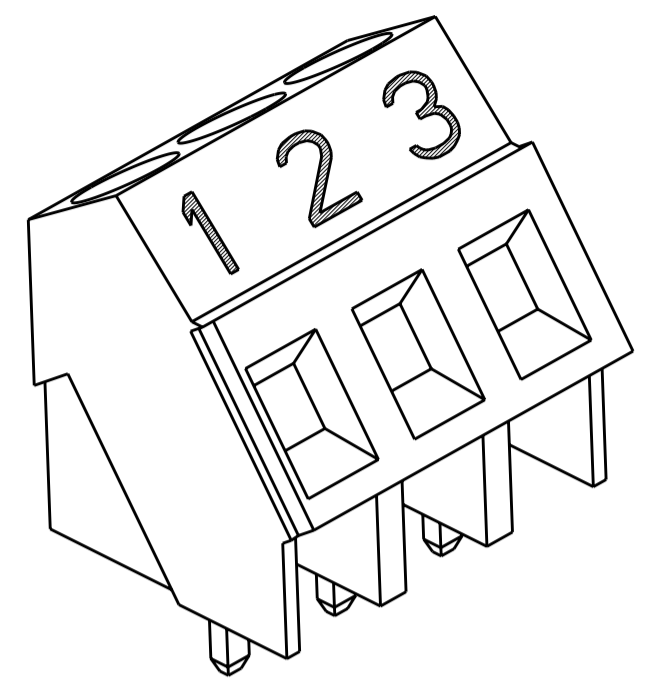
LOC	DIST	REVISIONS			
P	LTR	DESCRIPTION	DATE	DWN	APVD
FT	0	-	SEE SHEET 1	-	-



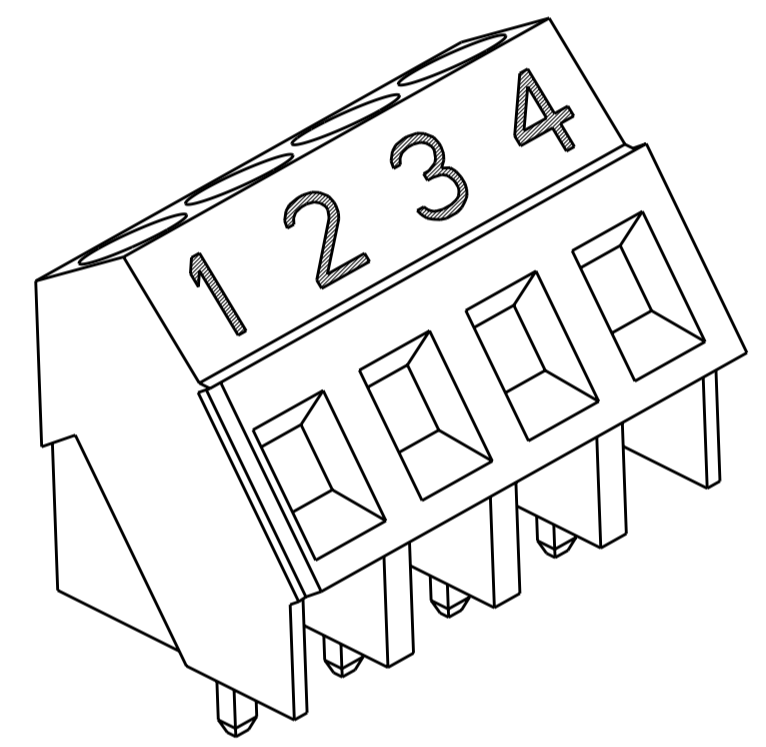
DETAIL A



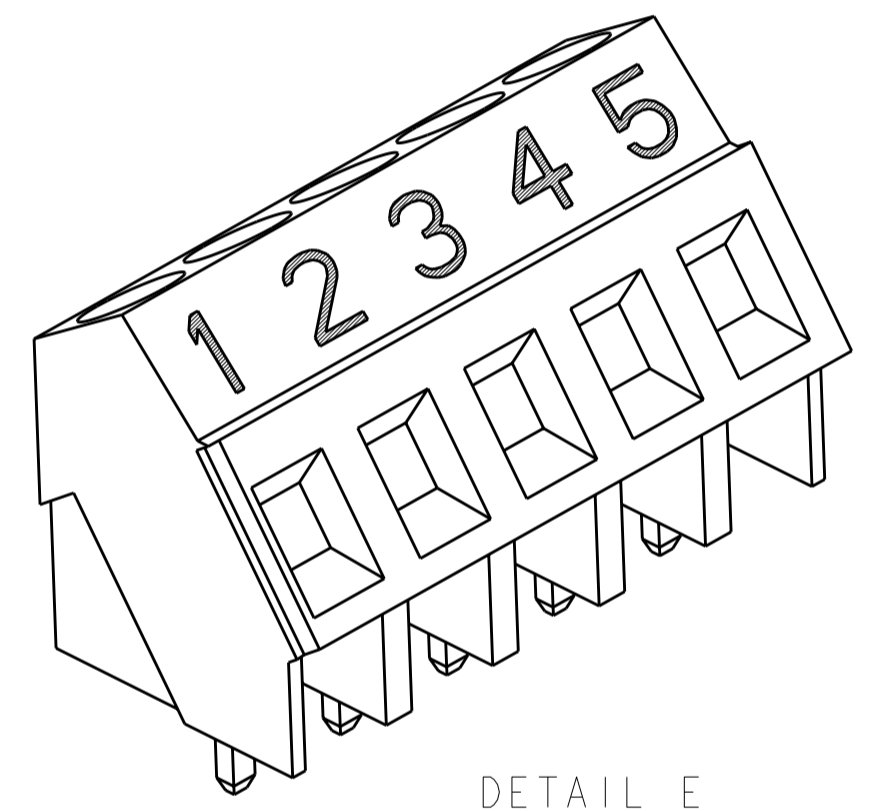
DETAIL B



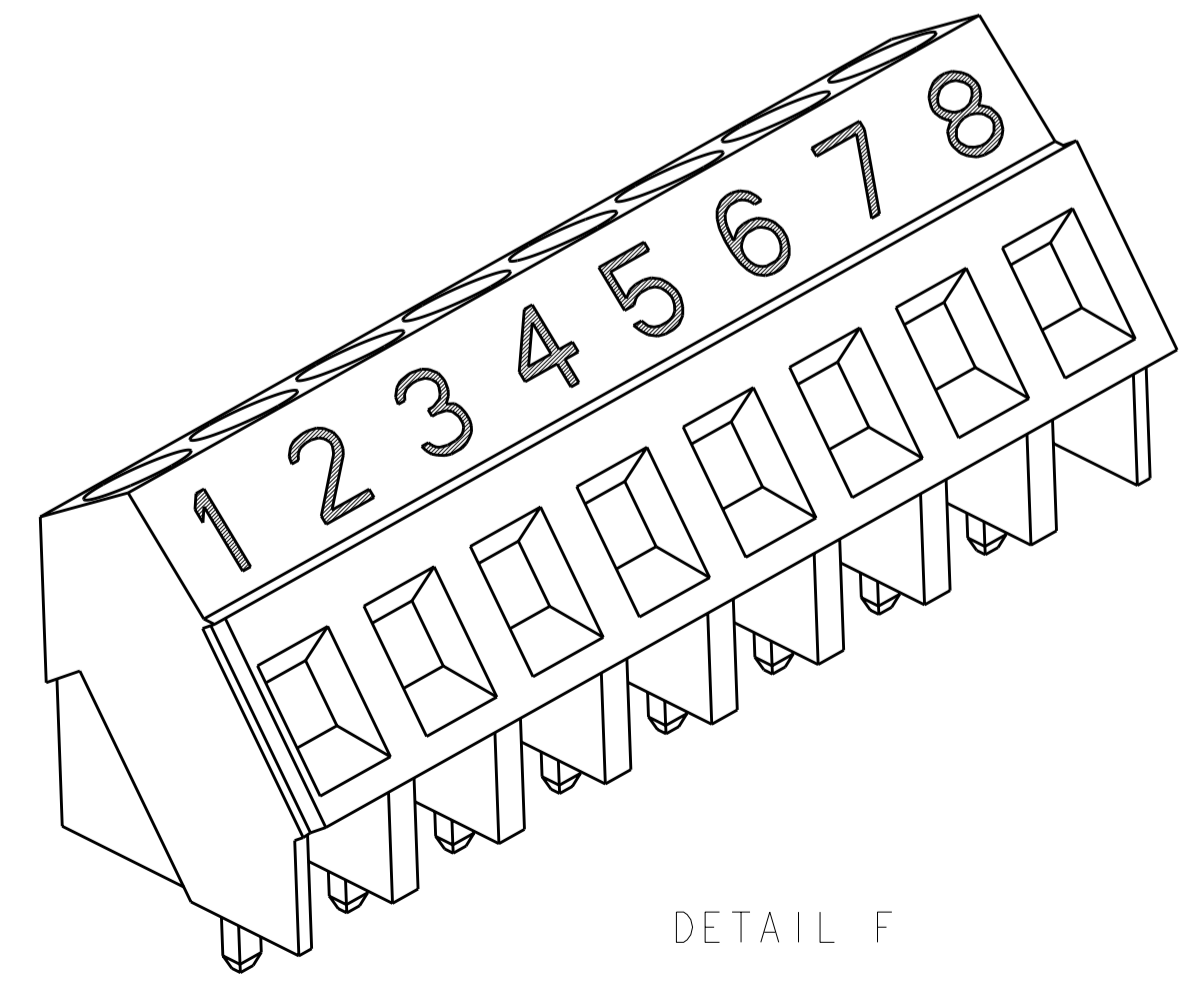
DETAIL C



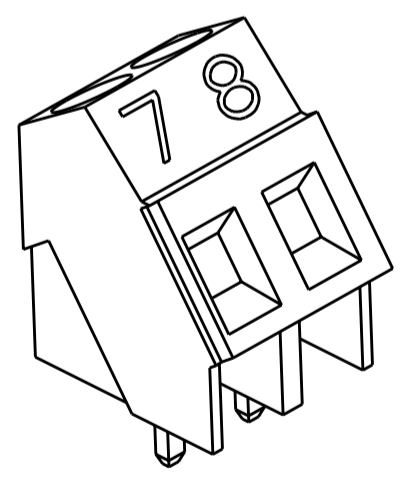
DETAIL D



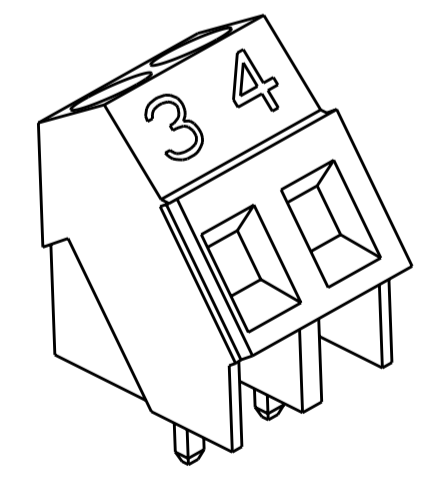
DETAIL E



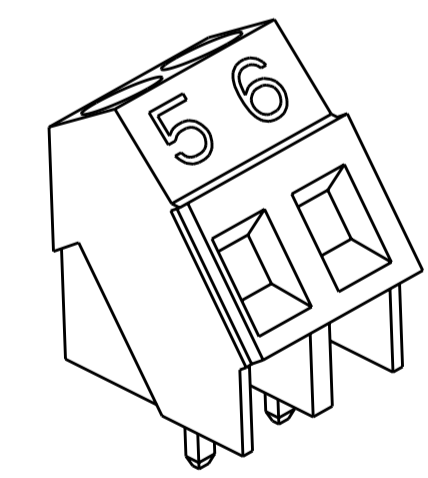
DETAIL F



DETAIL G



DETAIL H



DETAIL J

- 1. MATERIALS AND FINISH:  
 HOUSING: PA 6-6, UL 94-V0, COLOR GREEN.  
 CLAMP: BRASS, NICKEL PLATED.  
 TERMINAL: BRASS, TIN PLATED.  
 CLAMPING SCREW: M3, BRASS, NICKEL PLATED.
- 2. SUITABLE FOR 1,6-2,4mm PCB THICKNESS.
- 3. END-TO-END STACKABLE W/INTERLOCK, WITHOUT LOSS OF CENTERLINE SPACING.
- 4. WIRE RANGE: 12-30 AWG.
- 5. RECOGNIZED UNDER THE COMPONENT PROGRAM OF UNDERWRITERS LABORATORIES INC. FILE N° E60677.
- 6. IMQ CERTIFICATE WITH SURVEILLANCE IN CONFORMITY WITH IEC 998-1/998-2-1.
- 7. NOT CUMULATIVE TOLERANCE.
- 8. INK MARKED WHITE, UNLESS OTHERWISE SPECIFIED. NUMERICAL SEQUENCE FROM LEFT TO RIGHT.
- 9. INK MARKED BLACK, UNLESS OTHERWISE SPECIFIED. NUMERICAL SEQUENCE FROM LEFT TO RIGHT.
- 10. BUCHANAN LOGO TO APPEAR ON HOUSING, LOCATION OPTIONAL, WHERE SPACE PERMITS.

THIS DRAWING IS A CONTROLLED DOCUMENT.		DWN E. ZANOLINI	14MAR2001	<b>STE</b> TE Connectivity
DIMENSIONS: mm		CHK D. BIEVENOUR	14MAR2001	
TOLERANCES UNLESS OTHERWISE SPECIFIED:		APVD D. BIEVENOUR	14MAR2001	
0 PLC ±3 1 PLC ±3 2 PLC ±.25 3 PLC ±. 4 PLC ±. ANGLES ±2 FINISH		PRODUCT SPEC 108-20166	APPLICATION SPEC 114-20079	
MATERIAL		WEIGHT	-	NAME TERMINAL BLOCK, PCB MOUNT ANGLED WIRE ENTRY, STACKING W/INTERLOCK, 5mm PITCH
		SIZE CAGE CODE DRAWING NO A200779 C-796690		RESTRICTED TO
		CUSTOMER DRAWING		SCALE 3:1 SHEET 2 OF 2 REV E3

# Mouser Electronics

Authorized Distributor

Click to View Pricing, Inventory, Delivery & Lifecycle Information:

[TE Connectivity:](#)

[796690-9](#)