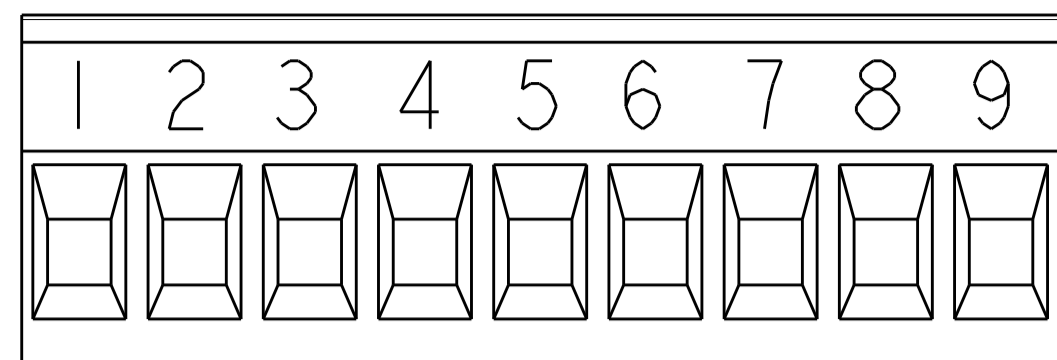
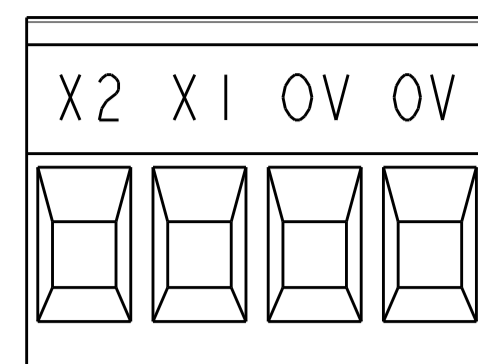


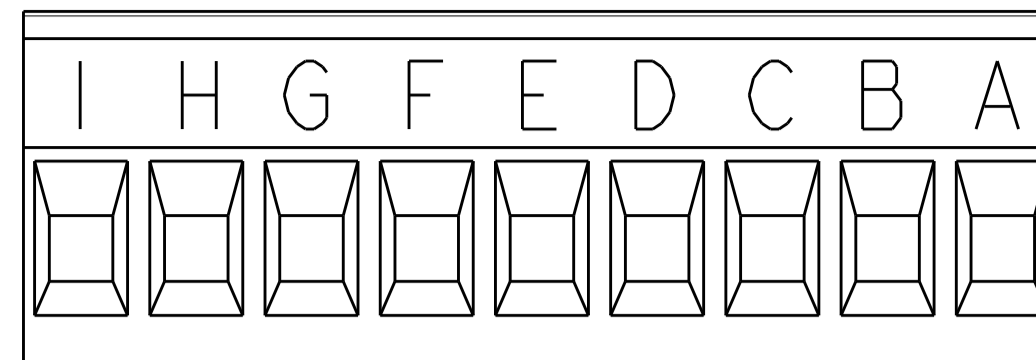
REVISIONS				
P.	LTN	DESCRIPTION	DATE	APVD
-	SEE SHEET 1			



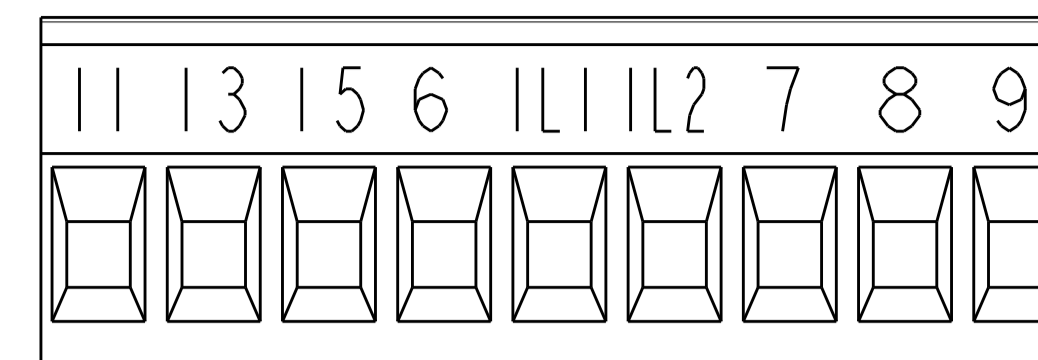
DETAIL A-A



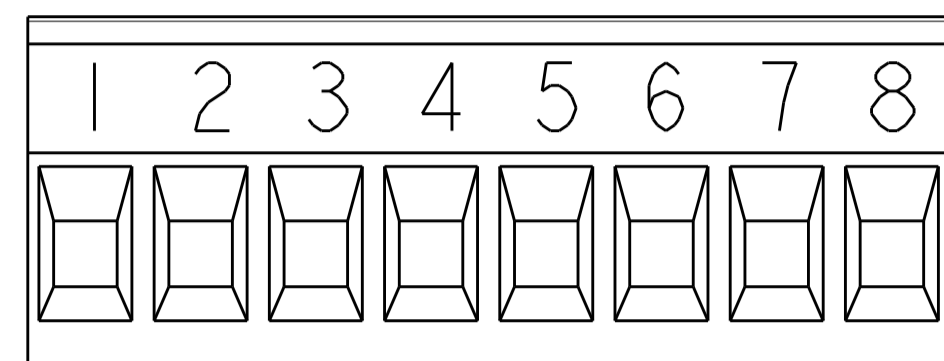
DETAIL P1



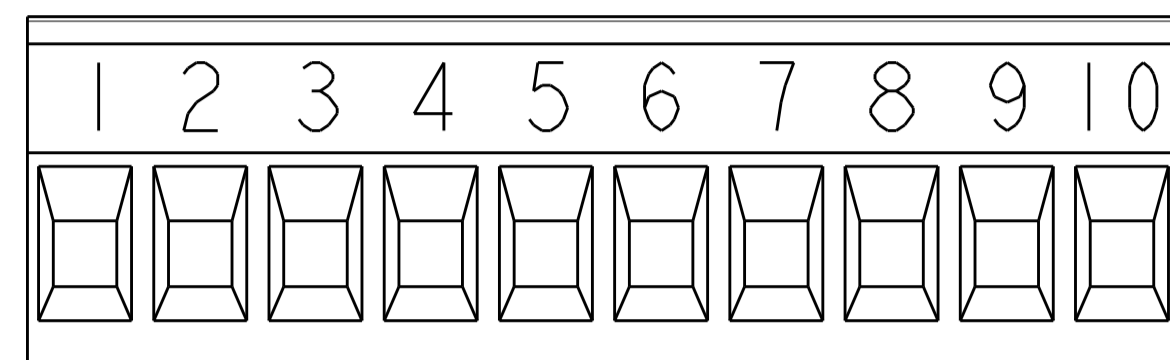
DETAIL P2



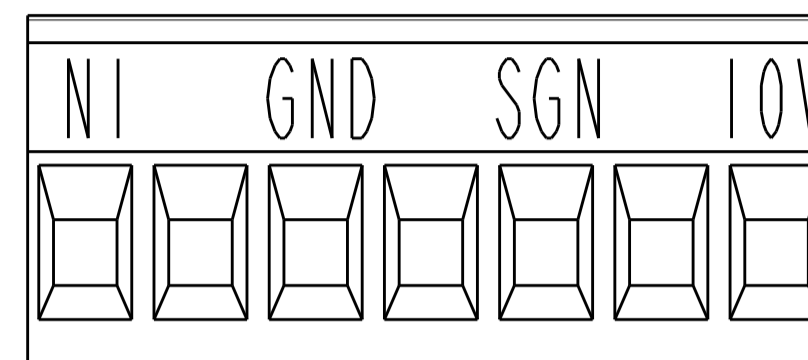
DETAIL P3



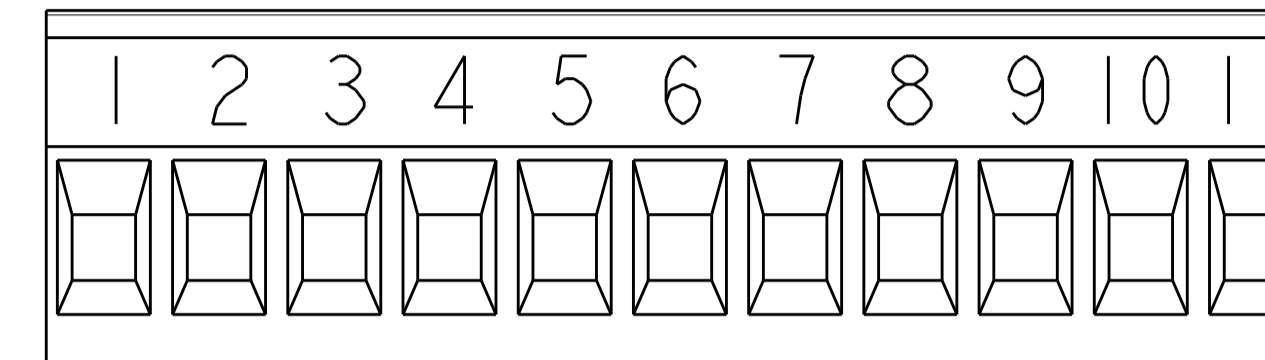
DETAIL D



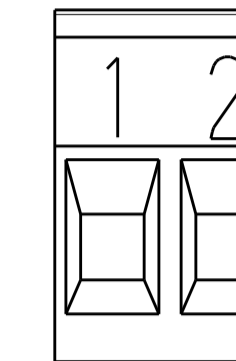
DETAIL E



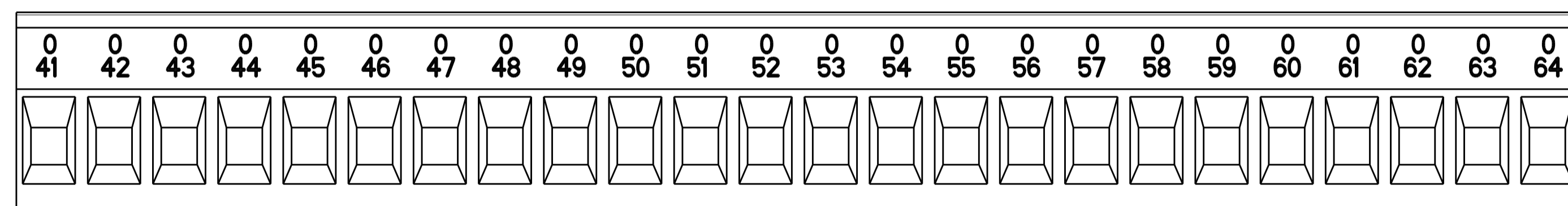
DETAIL N



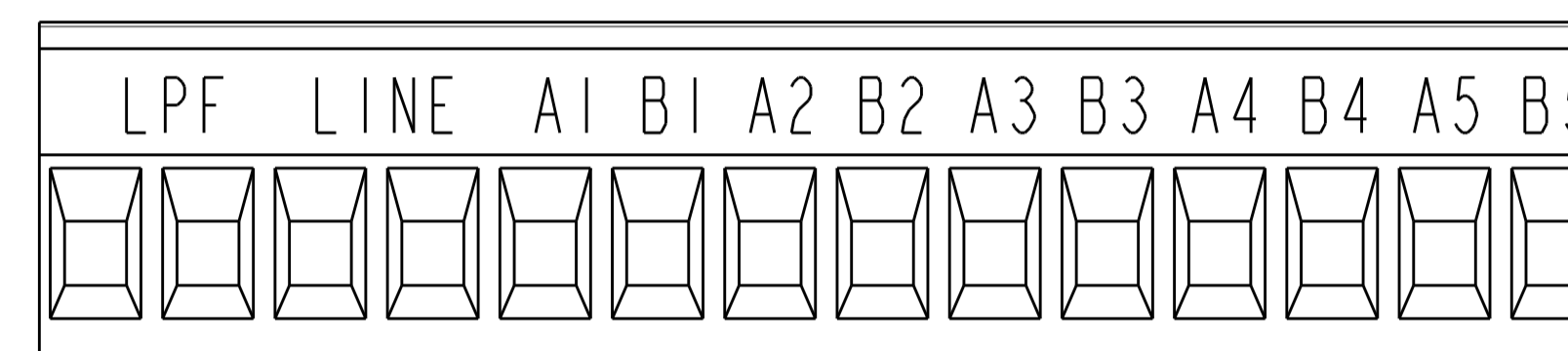
DETAIL P



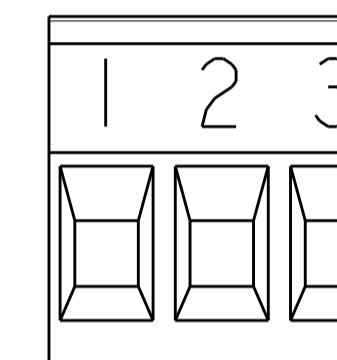
DETAIL S



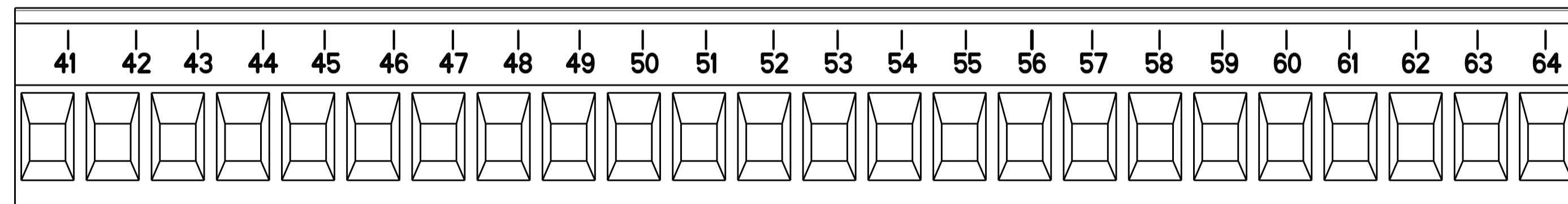
DETAIL F



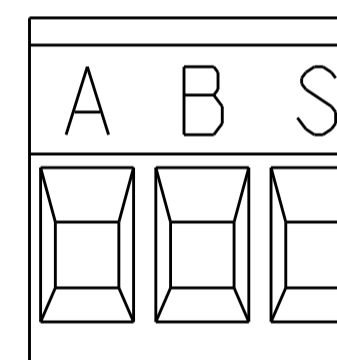
DETAIL R



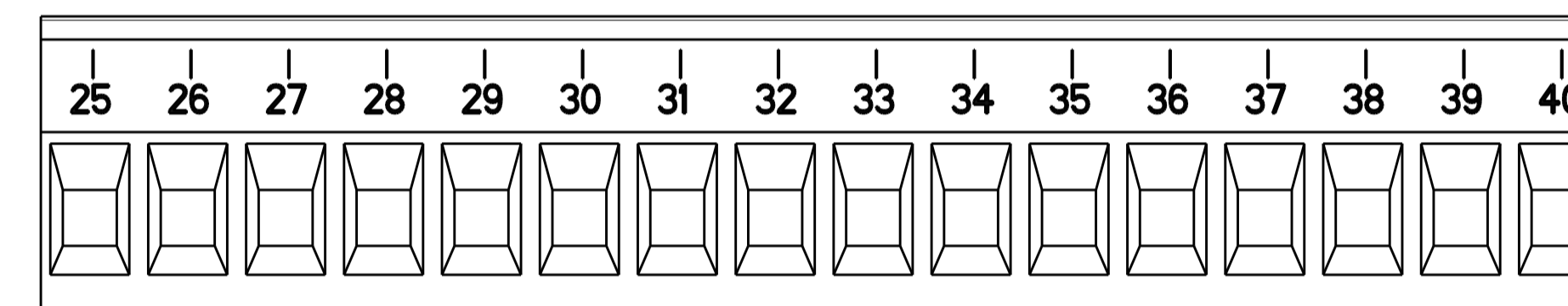
DETAIL T



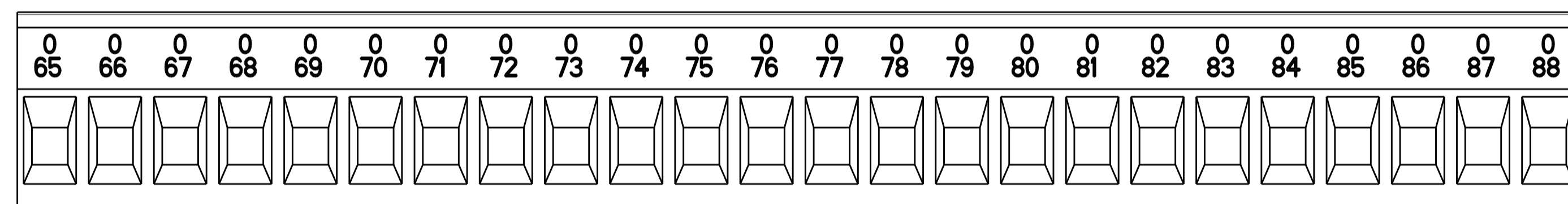
DETAIL G



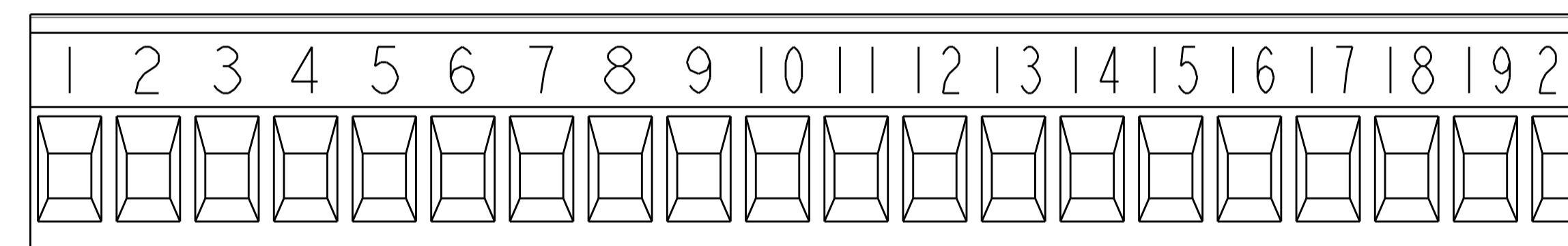
DETAIL V



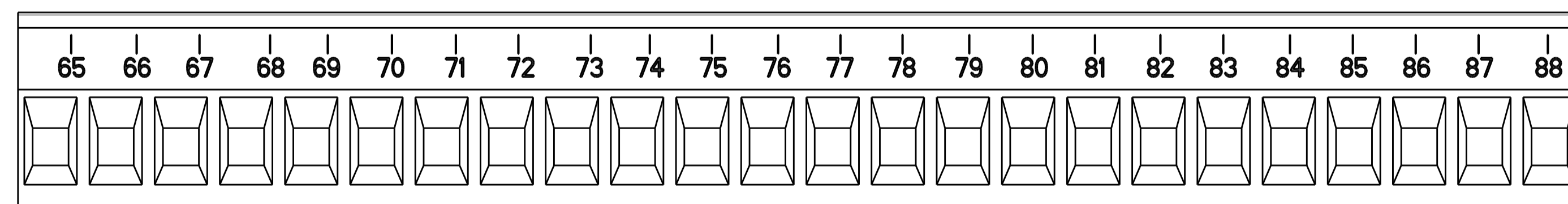
DETAIL M



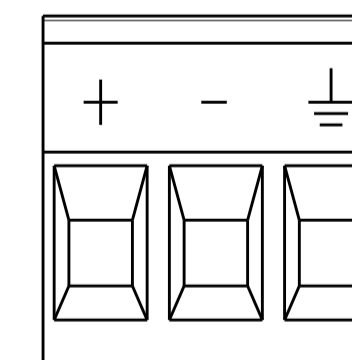
DETAIL H



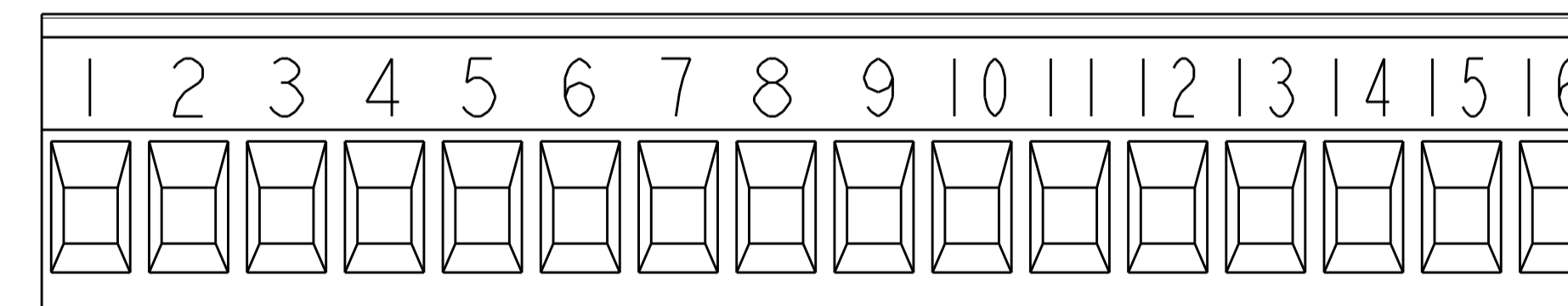
DETAIL W



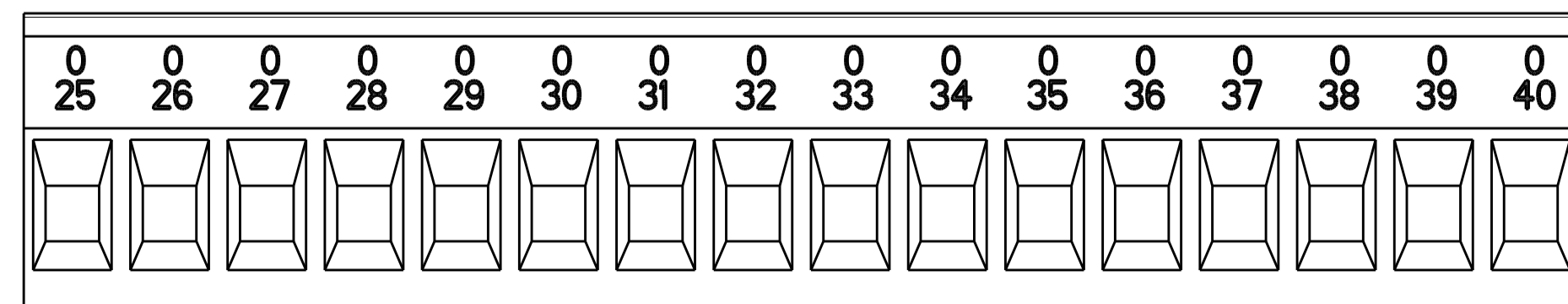
DETAIL J



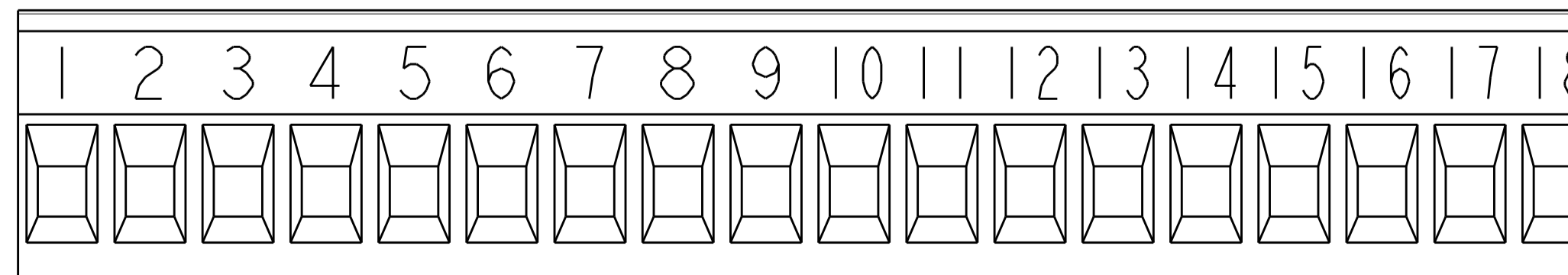
DETAIL X



DETAIL Y



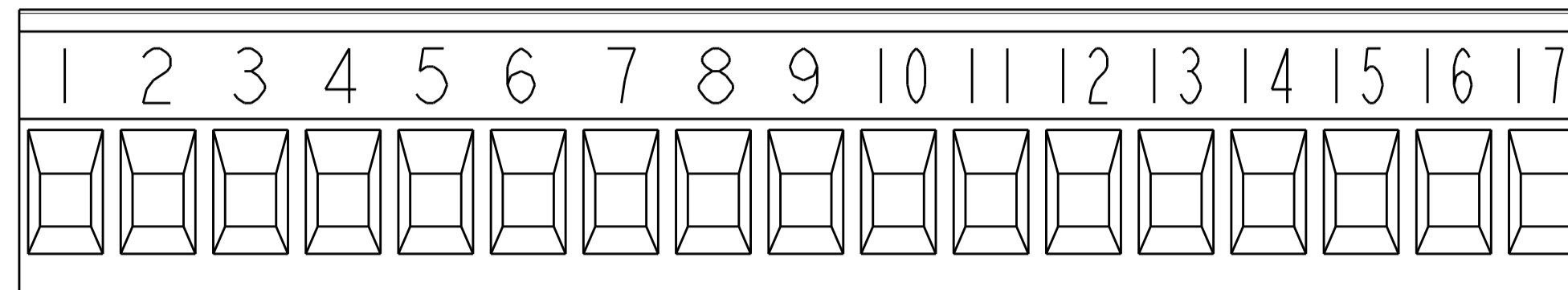
DETAIL K



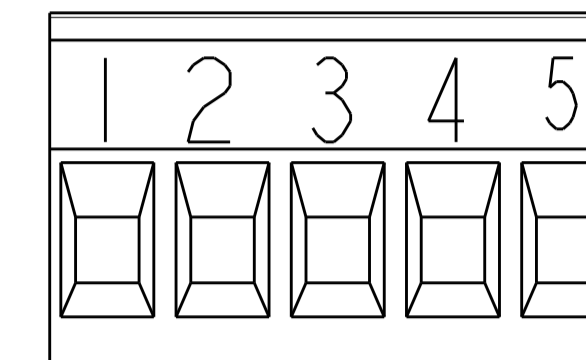
DETAIL Z

THIS DRAWING IS A CONTROLLED DOCUMENT.		DWN: S. WELDON 18OCT2000	 TE Connectivity
DIMENSIONS: mm		CHK: D. BIEVENOUR 18OCT2000	
TOLERANCES UNLESS OTHERWISE SPECIFIED:		APVD: D. BIEVENOUR 18OCT2000	NAME: TERMINAL BLOCK, PLUG, STACKING, 5.08mm PITCH
0 PLC ±0.3		PRODUCT SPEC:	SIZE: CAGE CODE DRAWING NO: A100779C=796634
1 PLC ±0.25		APPLICATION SPEC:	RESTRICTED TO:
2 PLC ±0.25		WEIGHT:	SCALE: 4:1 SHEET 2 OF 3 REV: R13
3 PLC ±0.25		CUSTOMER DRAWING:	
4 PLC ±0.25			
ANGLES: ±2°			
FINISH: SEE NOTES			

REVISIONS				
P.	LTN	DESCRIPTION	DATE	APVD
-	SEE SHEET 1		-	-



DETAIL AB



DETAIL AC

PRELIMINARY	NICKEL CLAMP PLATING	TIN CONTACT PLATING	 MARKING	DETAIL AC SPECIAL	25.40 L	5 NO OF POSN	8-796634-5 PART NUMBER
THIS DRAWING IS A CONTROLLED DOCUMENT.			DWN S. WELDON 18OCT2000 CHK D. BIEVENOUR 18OCT2000	 NAME: TERMINAL BLOCK, PLUG, STACKING, 5.08mm PITCH SIZE: CAGE CODE: DRAWING NO: A100779C=796634 RESTRICTED TO:			
DIMENSIONS: mm		TOLERANCES UNLESS OTHERWISE SPECIFIED:	APVD D. BIEVENOUR 18OCT2000				
		0 PLC ± 1 PLC ±0.3 2 PLC ±0.25 3 PLC ± 4 PLC ± ANGLES ±2°	PRODUCT SPEC				
MATERIAL: SEE NOTES		FINISH: SEE NOTES	APPLICATION SPEC	WEIGHT: -			
CUSTOMER DRAWING			SCALE: 5:1		SHEET 3 OF 3		REV: R13

Mouser Electronics

Authorized Distributor

Click to View Pricing, Inventory, Delivery & Lifecycle Information:

[TE Connectivity:](#)

[1-796634-9](#)