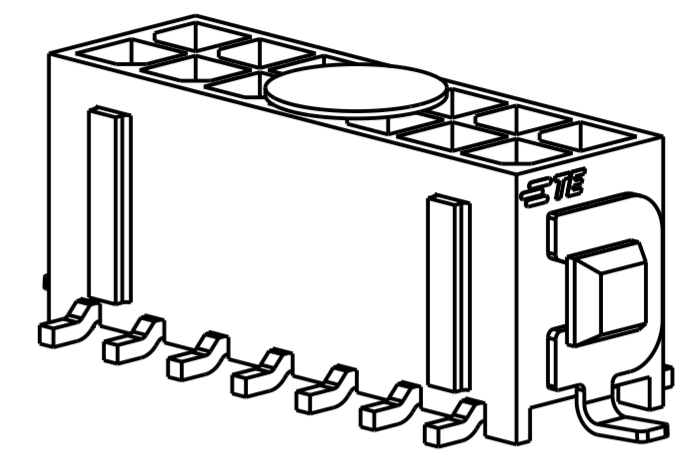
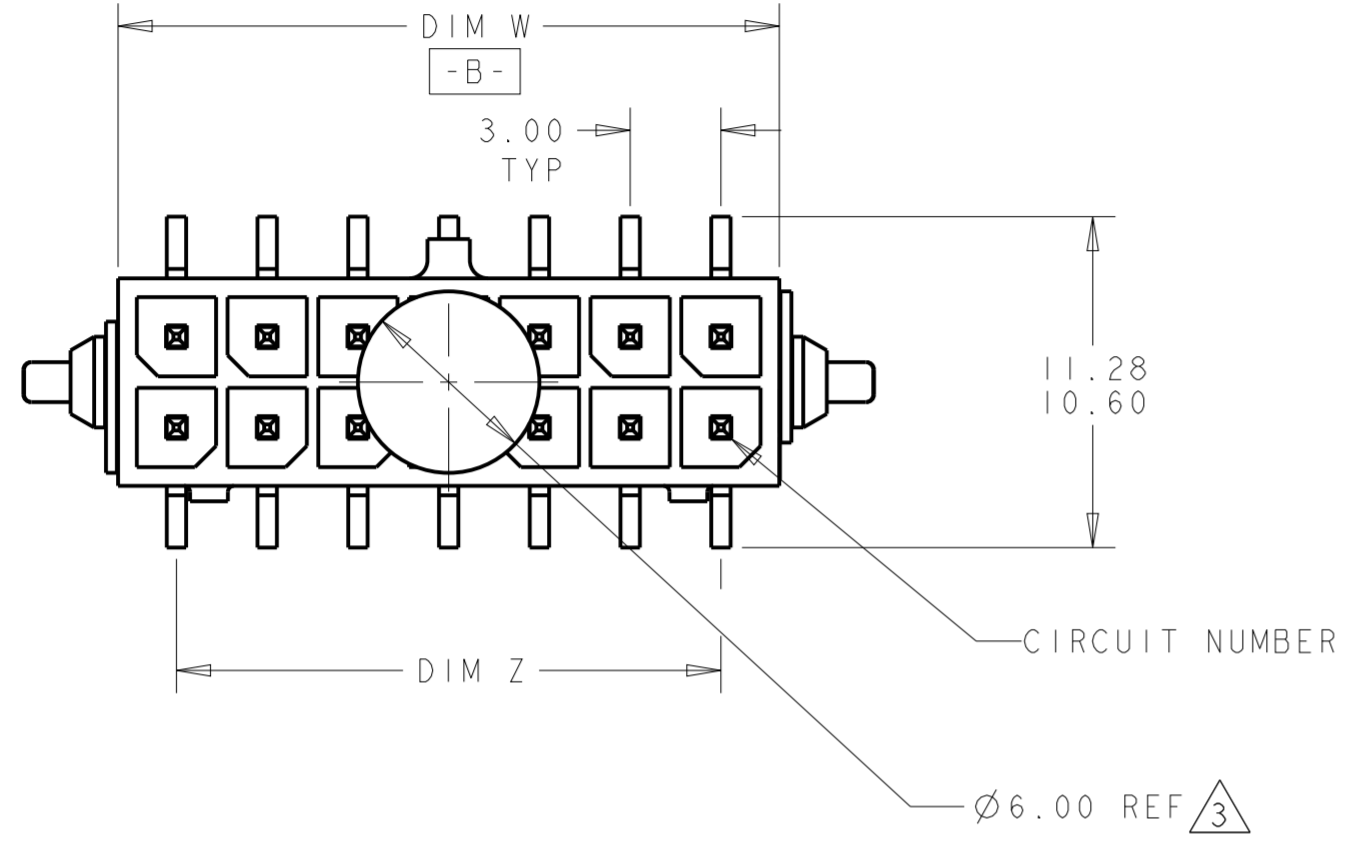
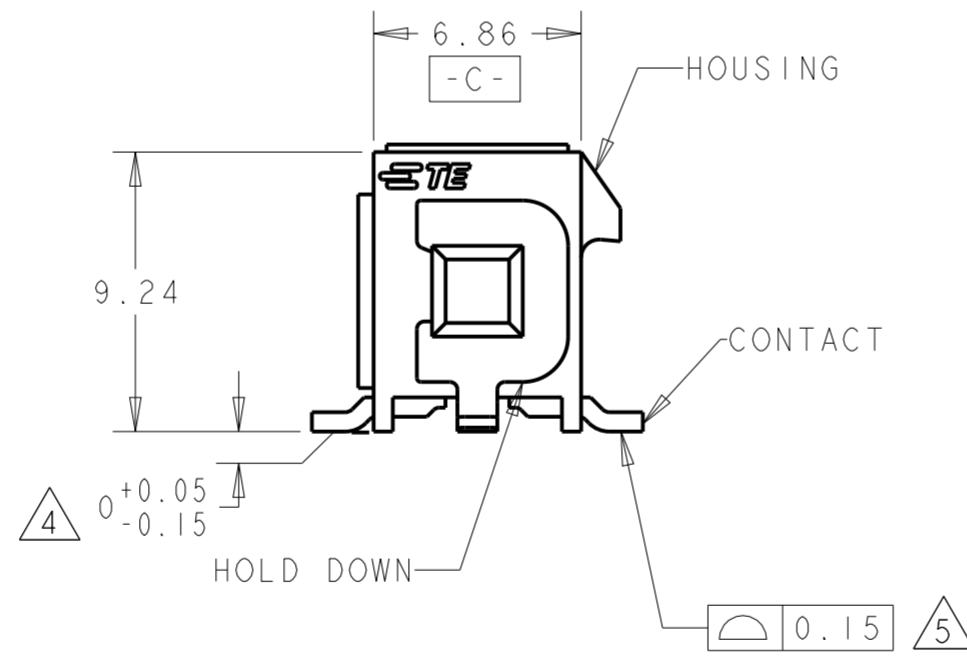
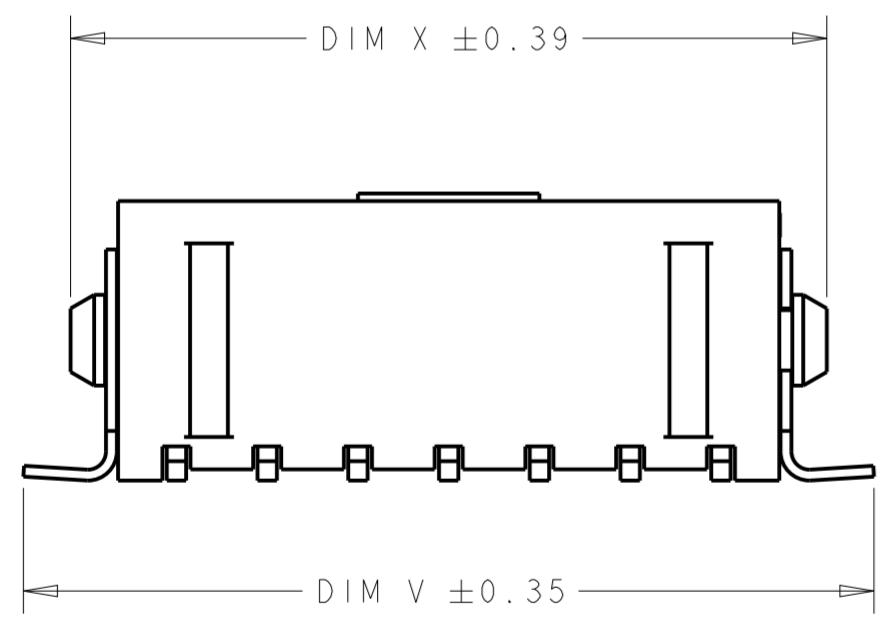


THIS DRAWING IS UNPUBLISHED. RELEASED FOR PUBLICATION 20  
 © COPYRIGHT 20 BY - ALL RIGHTS RESERVED.

| REVISIONS |     |                           |           |     |      |
|-----------|-----|---------------------------|-----------|-----|------|
| P         | LTR | DESCRIPTION               | DATE      | DWN | APVD |
| J2        |     | REVISED PER ECR-17-017609 | 04DEC2017 | JB  | DZ   |
| J3        |     | ECO-19-006502             | 30APR2019 | AP  | WS   |
| K         |     | REVISED PER ECN-21-106041 | 14JUN2021 | WLS | VS   |



- 1 MATERIAL:  
HOUSING - UL 94V-0 RATED HIGH TEMP NYLON, COLOR BLACK.  
CONTACTS - BRASS.  
HOLD DOWNS - PHOSPHOR BRONZE.
- 2 RECOMMENDED PC BOARD THICKNESS OF 1.57.
- 3 KAPTON VACUUM PICK UP BUTTON.
- 4 DIMENSION APPLIES TO SOLDERTAIL SURFACES AND STANDOFF SURFACES.
- 5 ALL SOLDERTAILS AND HOLD DOWNS.
- 6 FINISH:  
CONTACTS - 2.54µm MINIMUM MATTE TIN OVER 1.27µm MINIMUM NICKEL.  
HOLD DOWNS - 2.54µm MINIMUM MATTE TIN OVER 1.27µm MINIMUM NICKEL.
- 7 COUNTERPART RECOMMENDED IS PN 794617 (DASH ACCORDING TO NUMBER OF POSITION).
- 8 FOR REELING DIRECTION AND PACKAGING TYPE, SEE SPECIFICATION 114-13000.
- 9 PRODUCT PACKAGED IN DIFFERENT POSITION THAN STANDARD.



|       |       |       |       |       |              |              |
|-------|-------|-------|-------|-------|--------------|--------------|
| 16.04 | 9.86  | 13.27 | 6.00  | 13.00 | 6            | 6-794636-6/9 |
| 43.04 | 36.86 | 40.27 | 33.00 | 40.00 | 24           | 5-794636-4   |
| 40.04 | 33.86 | 37.27 | 30.00 | 37.00 | 22           | 5-794636-2   |
| 37.04 | 30.86 | 34.27 | 27.00 | 34.00 | 20           | 5-794636-0   |
| 34.04 | 27.86 | 31.27 | 24.00 | 31.00 | 18           | 4-794636-8   |
| 31.04 | 24.86 | 28.27 | 21.00 | 28.00 | 16           | 4-794636-6   |
| 28.04 | 21.86 | 25.27 | 18.00 | 25.00 | 14           | 4-794636-4   |
| 25.04 | 18.86 | 22.27 | 15.00 | 22.00 | 12           | 4-794636-2   |
| 22.04 | 15.86 | 19.27 | 12.00 | 19.00 | 10           | 4-794636-0   |
| 19.04 | 12.86 | 16.27 | 9.00  | 16.00 | 8            | 3-794636-8   |
| 16.04 | 9.86  | 13.27 | 6.00  | 13.00 | 6            | 3-794636-6   |
| 13.04 | 6.86  | 10.27 | 3.00  | 10.00 | 4            | 3-794636-4   |
| 10.04 | 3.86  | 7.27  | -     | 7.00  | 2            | 3-794636-2   |
| DIM V | DIM W | DIM Y | DIM Z | DIM X | NO. OF POSN. | ASSEMBLY     |

THIS DRAWING IS A CONTROLLED DOCUMENT.

DWN S. HOOVER 23-MAR-2005  
 CHK C. JONES 23-MAR-2005  
 APVD C. JONES 23-MAR-2005

**STE** TE Connectivity

DIMENSIONS: mm  
 TOLERANCES UNLESS OTHERWISE SPECIFIED:  
 0 PLC ±  
 1 PLC ±  
 2 PLC ±0.13  
 3 PLC ±  
 4 PLC ±  
 ANGLES ±1°  
 FINISH

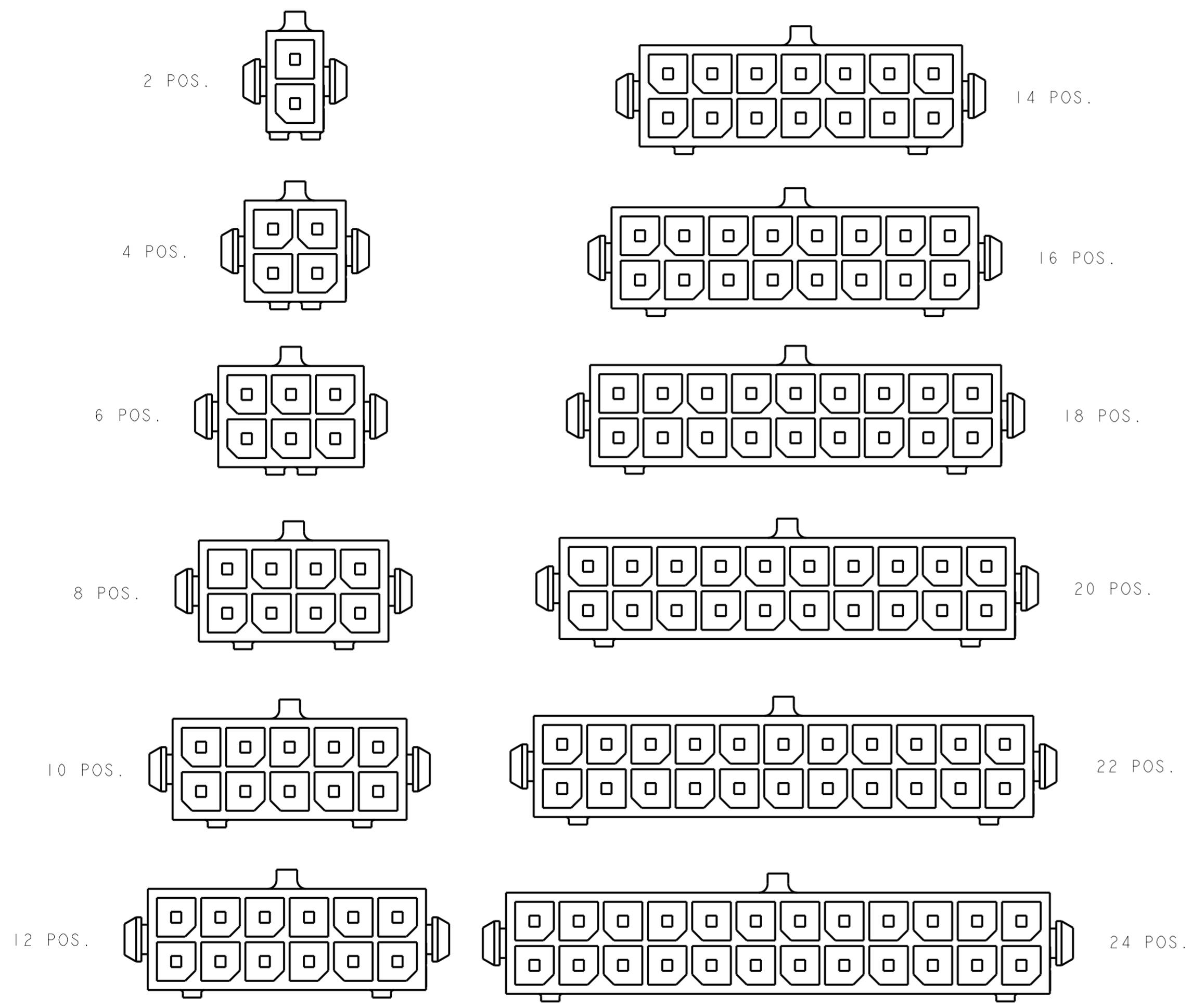
PRODUCT SPEC 108-1836  
 APPLICATION SPEC 114-13000  
 WEIGHT -

NAME SURFACE MOUNT, VERTICAL, MECHANICAL HOLD DOWN, ASSEMBLY, TIN HEADER, DUAL ROW, MICRO MATE-N-LOK (TM)  
 SIZE A2 CAGE CODE 0779 DRAWING NO. C-794636  
 RESTRICTED TO -

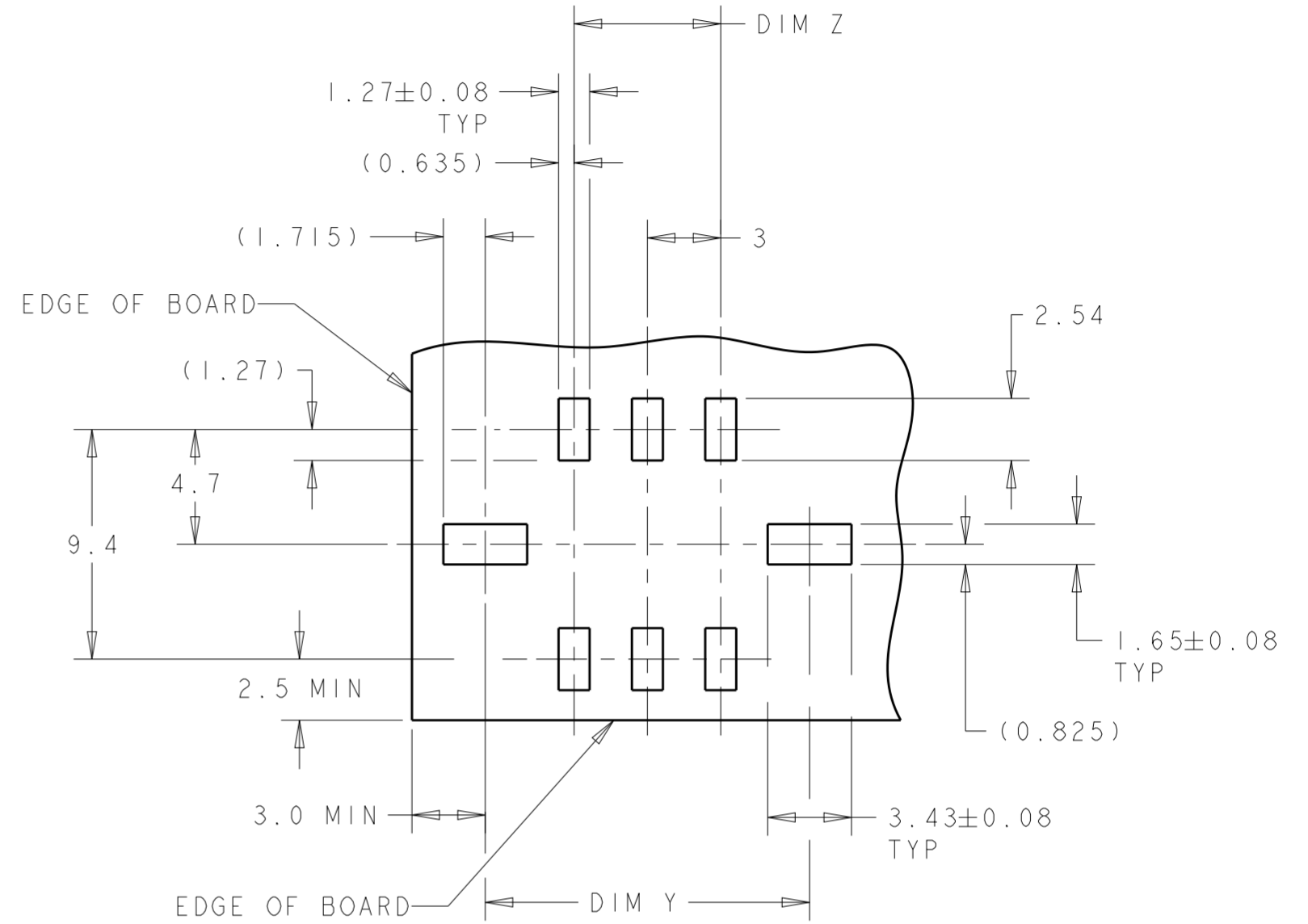
CUSTOMER DRAWING SCALE 4:1 SHEET 1 OF 2 REV K

THIS DRAWING IS UNPUBLISHED. RELEASED FOR PUBLICATION 20  
 © COPYRIGHT 20 BY - ALL RIGHTS RESERVED.

| REVISIONS |     |             |      |      |
|-----------|-----|-------------|------|------|
| P         | LTR | DESCRIPTION | DATE | APVD |
| -         | -   | SEE SHEET 1 | -    | -    |
|           |     |             |      |      |
|           |     |             |      |      |



KEYING BY POSITION SIZE



|   |  |                                 |  |                       |
|---|--|---------------------------------|--|-----------------------|
| THIS DRAWING IS A CONTROLLED DOCUMENT.  |  | DWN<br>S. HOOVER<br>23-MAR-2005 | TE Connectivity  |                       |
| DIMENSIONS:<br>mm   |  | CHK<br>C. JONES<br>23-MAR-2005  |  |                       |
| TOLERANCES UNLESS OTHERWISE SPECIFIED:  |  | APVD<br>C. JONES<br>23-MAR-2005 | NAME<br>SURFACE MOUNT, VERTICAL, MECHANICAL HOLD DOWN, ASSEMBLY, TIN HEADER, DUAL ROW, MICRO MATE-N-LOK (TM) |                       |
| 0 PLC ±<br>1 PLC ±<br>2 PLC ±0.13<br>3 PLC ±<br>4 PLC ±<br>ANGLES ±1°<br>FINISH |  | PRODUCT SPEC<br>108-1836        | SIZE<br>A200779  | CAGE CODE<br>C-794636 |
| MATERIAL  |  | APPLICATION SPEC<br>114-13000   | DRAWING NO   | RESTRICTED TO         |
| -   |  | WEIGHT                          | -  |                       |
| -   |  | CUSTOMER DRAWING                | SCALE<br>4:1   | SHEET<br>2 OF 2       |
| -   |  |                                 | REV<br>K   |                       |

# Mouser Electronics

Authorized Distributor

Click to View Pricing, Inventory, Delivery & Lifecycle Information:

[TE Connectivity:](#)

[794636-6](#)