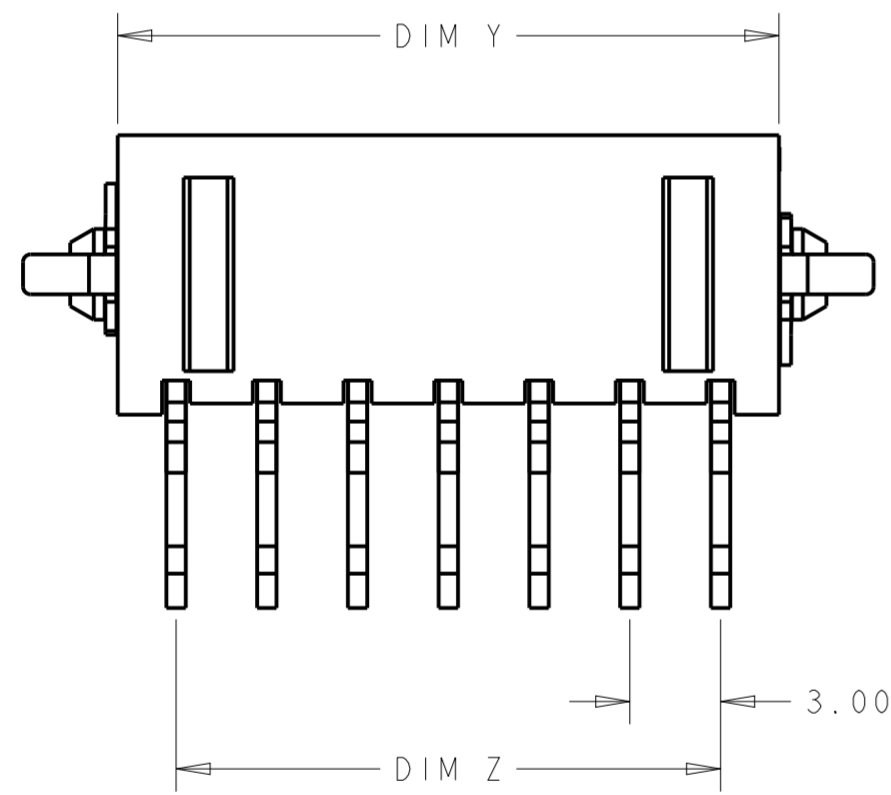
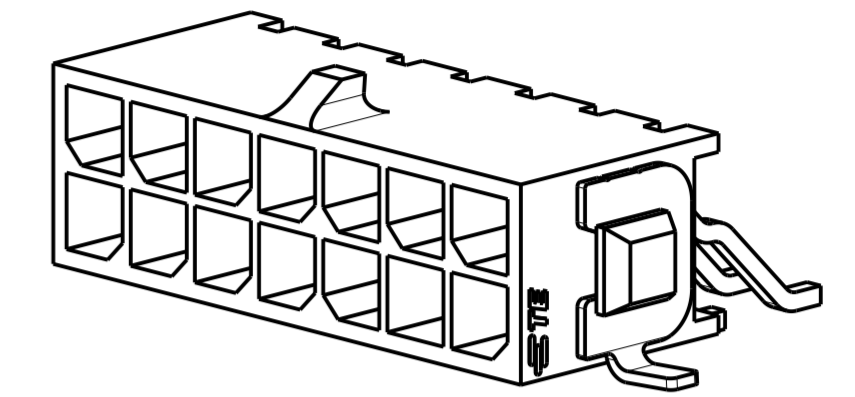
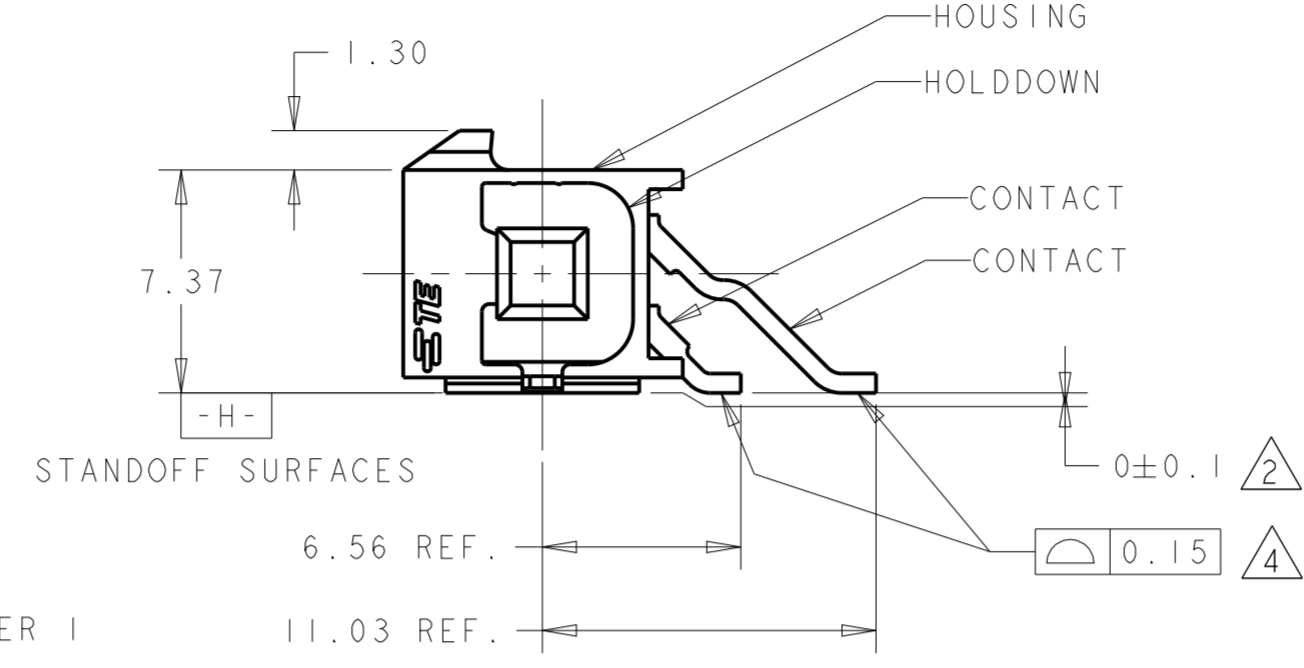
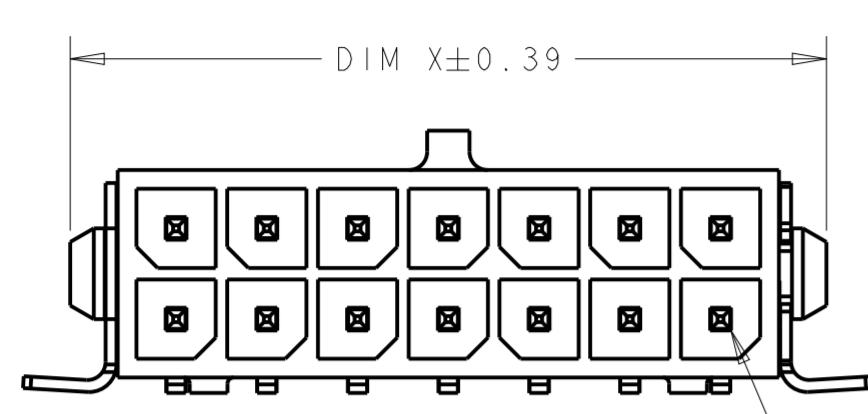


THIS DRAWING IS UNPUBLISHED. RELEASED FOR PUBLICATION 20  
 © COPYRIGHT 20 BY - ALL RIGHTS RESERVED.

| REVISIONS |     |                           |           |     |      |
|-----------|-----|---------------------------|-----------|-----|------|
| P         | LTR | DESCRIPTION               | DATE      | DWN | APVD |
|           | H5  | REVISED PER ECN-21-100661 | 25MAR2021 | WLS | VS   |



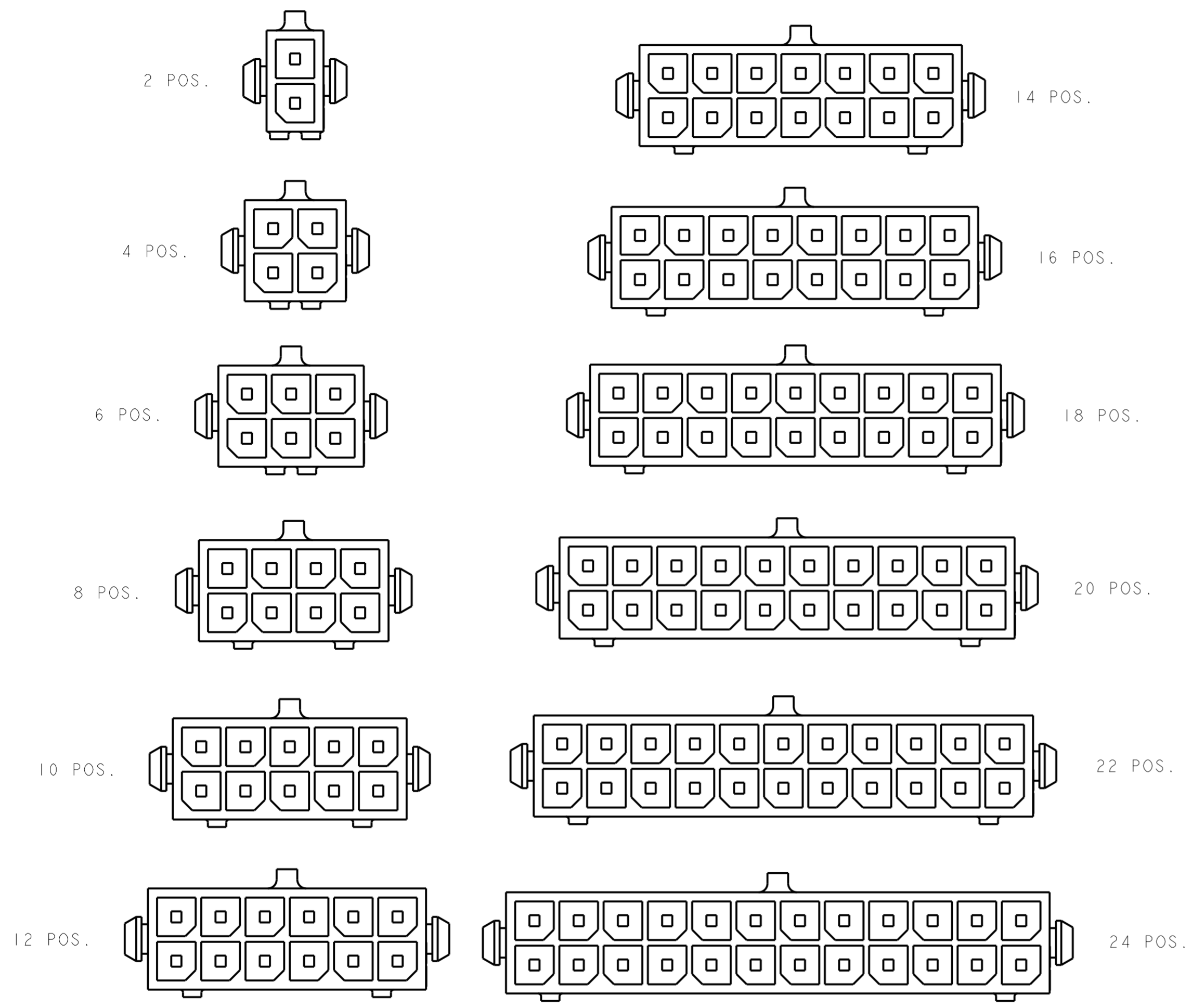
- 1 MATERIAL;  
HOUSING - UL 94V-0 RATED HIGH TEMP NYLON, COLOR BLACK.  
CONTACTS - BRASS.  
HOLDDOWNS - PHOSPHOR BRONZE.
- 2 DIMENSION APPLIES TO SOLDER TAIL SURFACES AND STANDOFF SURFACES.
- 3 RECOMMENDED PC BOARD THICKNESS OF 1.57.
- 4 ALL SOLDER TAILS AND HOLDDOWNS.
- 5 PLATING;  
CONTACTS - 0.76µm MINIMUM GOLD ON MATING AREA.  
2.54µm MINIMUM MATTE TIN ON SOLDER TAIL.  
ALL OVER 1.27µm MINIMUM NICKEL.  
HOLDDOWNS - 2.54µm MINIMUM MATTE TIN OVER 1.27µm MINIMUM NICKEL.
- 6 SPECIAL PACKAGING : 1 PLASTIC BAG PER REEL, ALL REELS INTO THE BOX.
- 7 COUNTERPART RECOMMENDED IS PN 794617 (DASH ACCORDING TO NUMBER OF POSITION).
- 8 FOR REELING DIRECTION AND PACKAGING TYPE, SEE SPECIFICATION 114-13000.

|       |       |       |       |              |             |
|-------|-------|-------|-------|--------------|-------------|
| 18.86 | 22.79 | 15.00 | 22.00 | 12           | 7-794629-2  |
| 12.86 | 16.79 | 9.00  | 16.00 | 8            | 6-794629-8  |
| 6.86  | 10.79 | 3.00  | 10.00 | 4            | 6-794629-4  |
| 36.86 | 40.79 | 33.00 | 40.00 | 24           | 5-794629-4  |
| 33.86 | 37.79 | 30.00 | 37.00 | 22           | 5-794629-2  |
| 30.86 | 34.79 | 27.00 | 34.00 | 20           | 5-794629-0  |
| 27.86 | 31.79 | 24.00 | 31.00 | 18           | 4-794629-8  |
| 24.86 | 28.79 | 21.00 | 28.00 | 16           | 4-794629-6  |
| 21.86 | 25.79 | 18.00 | 25.00 | 14           | 4-794629-4  |
| 18.86 | 22.79 | 15.00 | 22.00 | 12           | 4-794629-2  |
| 15.86 | 19.79 | 12.00 | 19.00 | 10           | 4-794629-0  |
| 12.86 | 16.79 | 9.00  | 16.00 | 8            | 3-794629-8  |
| 9.86  | 13.79 | 6.00  | 13.00 | 6            | 3-794629-6  |
| 6.86  | 10.79 | 3.00  | 10.00 | 4            | 3-794629-4  |
| 3.86  | 7.79  | -     | 7.00  | 2            | 3-794629-2  |
| DIM Y | DIM W | DIM Z | DIM X | NO. OF POSN. | PART NUMBER |

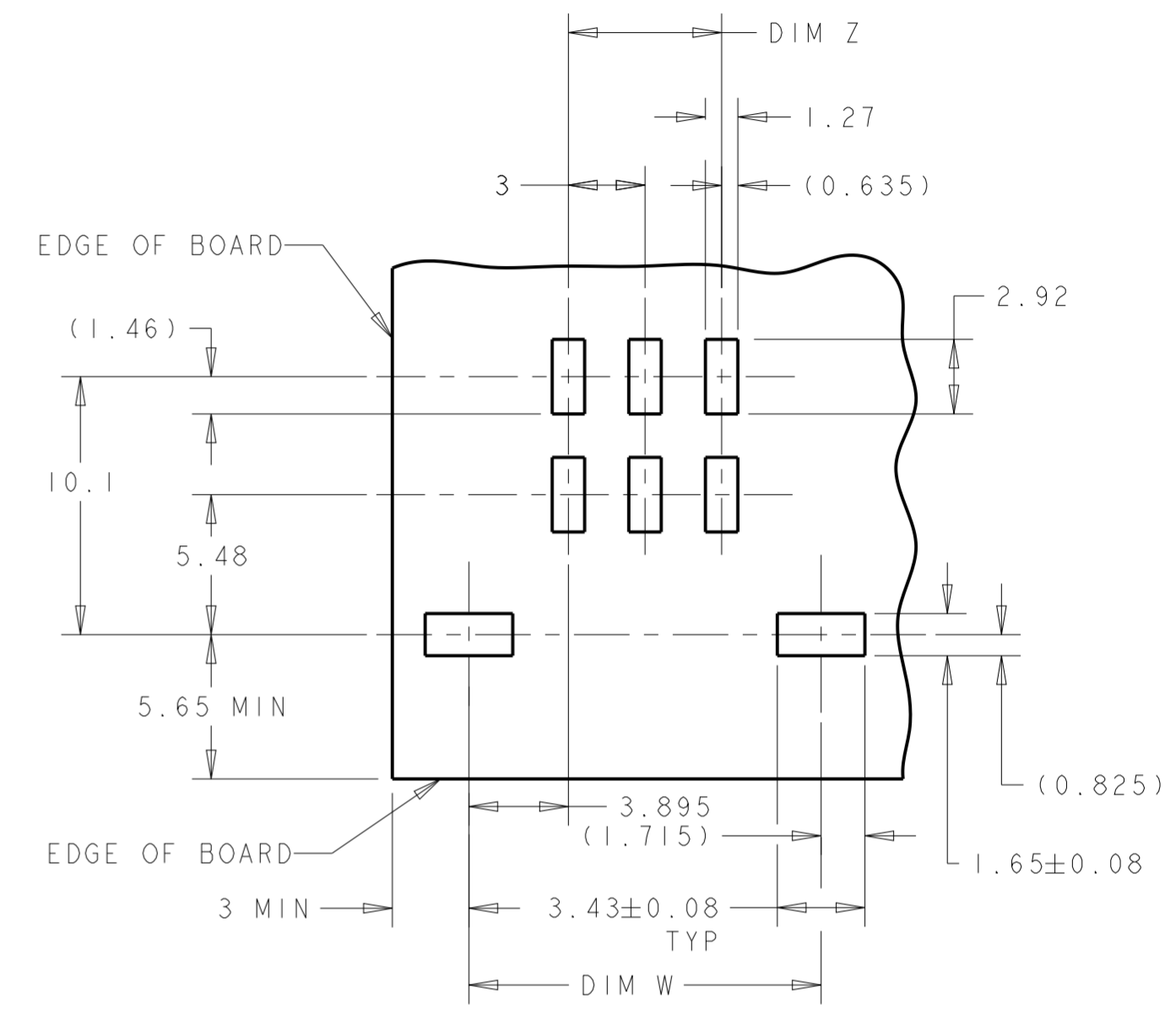
|   |  |                                 |   |                 |
|---|--|---------------------------------|---|-----------------|
| THIS DRAWING IS A CONTROLLED DOCUMENT.                  |  | DWN<br>K. WHITAKER<br>19MAR2003 | TE Connectivity   |                 |
| DIMENSIONS:<br>mm                                       |  | CHK<br>C. JONES<br>19MAR2003    |   |                 |
| TOLERANCES UNLESS OTHERWISE SPECIFIED:                  |  | APVD<br>C. JONES<br>19MAR2003   | NAME<br>SURFACE MOUNT, RIGHT ANGLE, SURFACE MOUNT HOLDDOWN, ASSEMBLY, 30 GOLD HEADER, DUAL ROW, MICRO MATE-N-LOK™ |                 |
| 0 PLC ±<br>1 PLC ±<br>2 PLC ±0.13<br>3 PLC ±<br>4 PLC ± |  | PRODUCT SPEC<br>108-1836        | SIZE<br>A2  |                 |
| ANGLES ±1°<br>FINISH                                    |  | APPLICATION SPEC<br>114-13000   | CAGE CODE<br>0779   |                 |
| MATERIAL  |  | WEIGHT<br>-                     | DRAWING NO<br>G-794629  |                 |
| CUSTOMER DRAWING  |  | SCALE<br>4:1                    |   | SHEET<br>1 OF 2 |
|   |  |                                 |   | REV<br>H5       |

THIS DRAWING IS UNPUBLISHED. RELEASED FOR PUBLICATION 20  
 © COPYRIGHT 20 BY - ALL RIGHTS RESERVED.

| REVISIONS |     |             |      |      |
|-----------|-----|-------------|------|------|
| P         | LTR | DESCRIPTION | DATE | APVD |
| -         | -   | SEE SHEET 1 | -    | -    |
|           |     |             |      |      |
|           |     |             |      |      |



KEYING BY POSITION SIZE



RECOMMENDED PCB LAYOUT (COMPONENT SIDE)

|   |  |                                 |  |
|---|--|---------------------------------|--|
| THIS DRAWING IS A CONTROLLED DOCUMENT.  |  | DWN<br>K. WHITAKER<br>19MAR2003 | TE Connectivity  |
|   |  | CHK<br>C. JONES<br>19MAR2003    |  |
|   |  | APVD<br>C. JONES<br>19MAR2003   | NAME<br>SURFACE MOUNT, RIGHT ANGLE, SURFACE MOUNT HOLDDOWN, ASSEMBLY, 30 GOLD HEADER, DUAL ROW, MICRO MATE-N-LOK |
| DIMENSIONS:<br>mm   |  | PRODUCT SPEC<br>108-1836        | SIZE<br>A200779  |
| TOLERANCES UNLESS OTHERWISE SPECIFIED:<br>0 PLC ±<br>1 PLC ±<br>2 PLC ±0.13<br>3 PLC ±<br>4 PLC ±<br>ANGLES ±1°<br>FINISH |  | APPLICATION SPEC<br>114-13000   | DRAWING NO<br>G-794629   |
| MATERIAL<br>-<br>-  |  | WEIGHT<br>-                     | RESTRICTED TO<br>-   |
|   |  | CUSTOMER DRAWING                | SCALE 4:1 SHEET 2 OF 2 REV H5  |

# Mouser Electronics

Authorized Distributor

Click to View Pricing, Inventory, Delivery & Lifecycle Information:

[TE Connectivity:](#)

[794629-6](#)