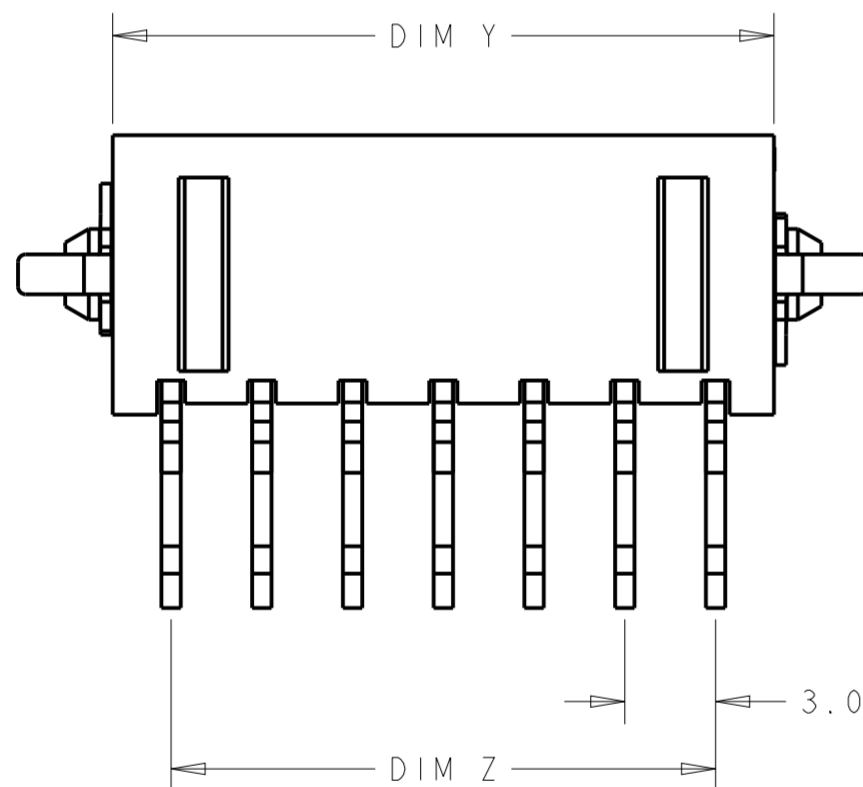
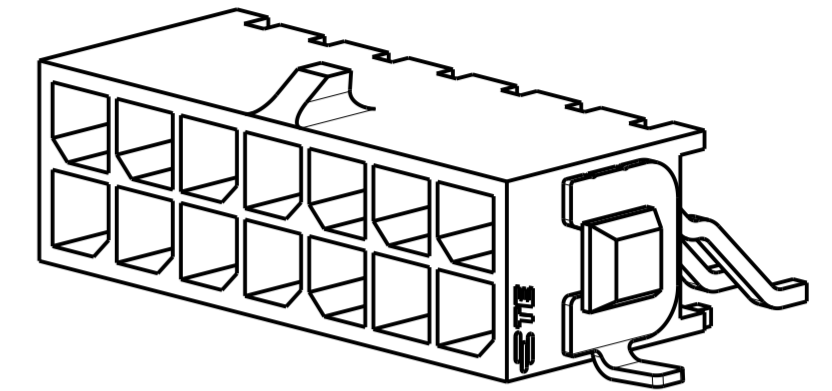
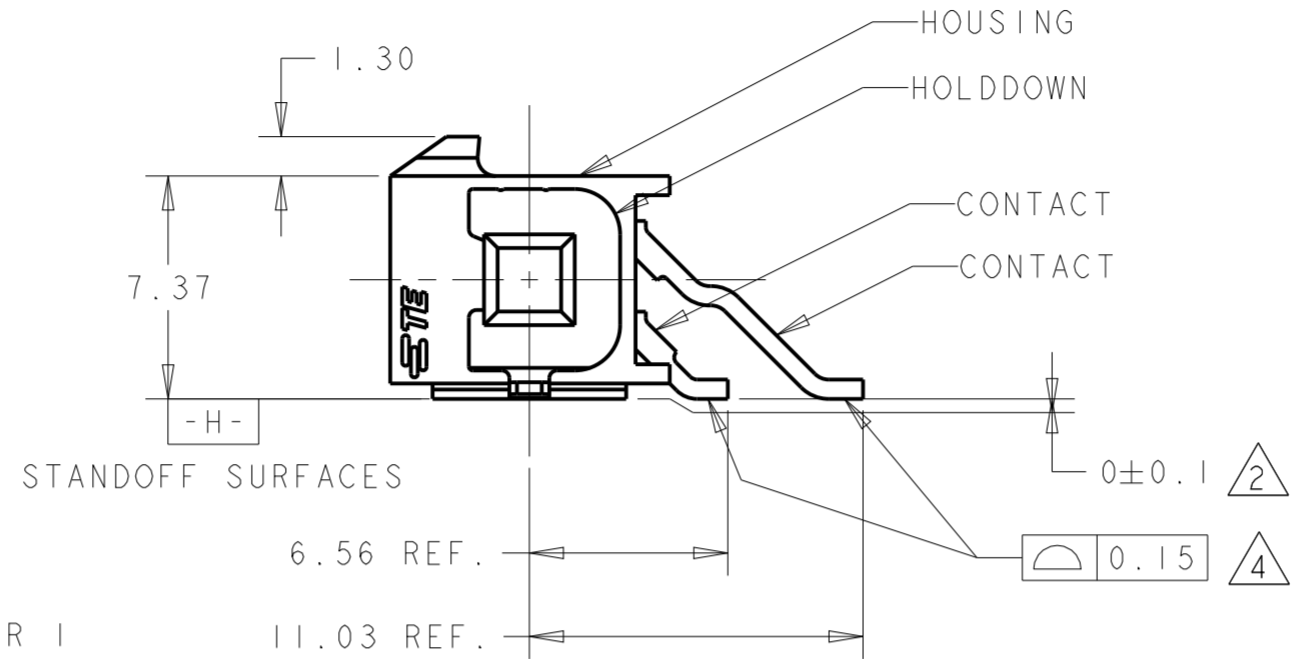
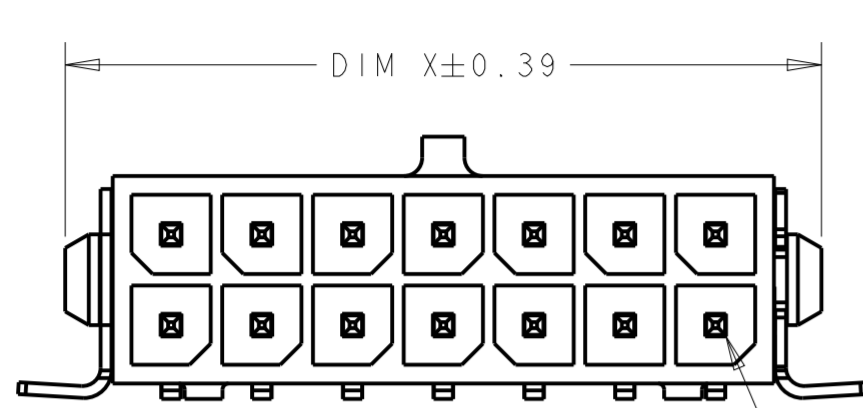


THIS DRAWING IS UNPUBLISHED. RELEASED FOR PUBLICATION 20
 © COPYRIGHT 20 BY - ALL RIGHTS RESERVED.

REVISIONS					
P	LTR	DESCRIPTION	DATE	DWN	APVD
	H5	REVISED PER ECN-21-100661	25MAR2021	WLS	VS



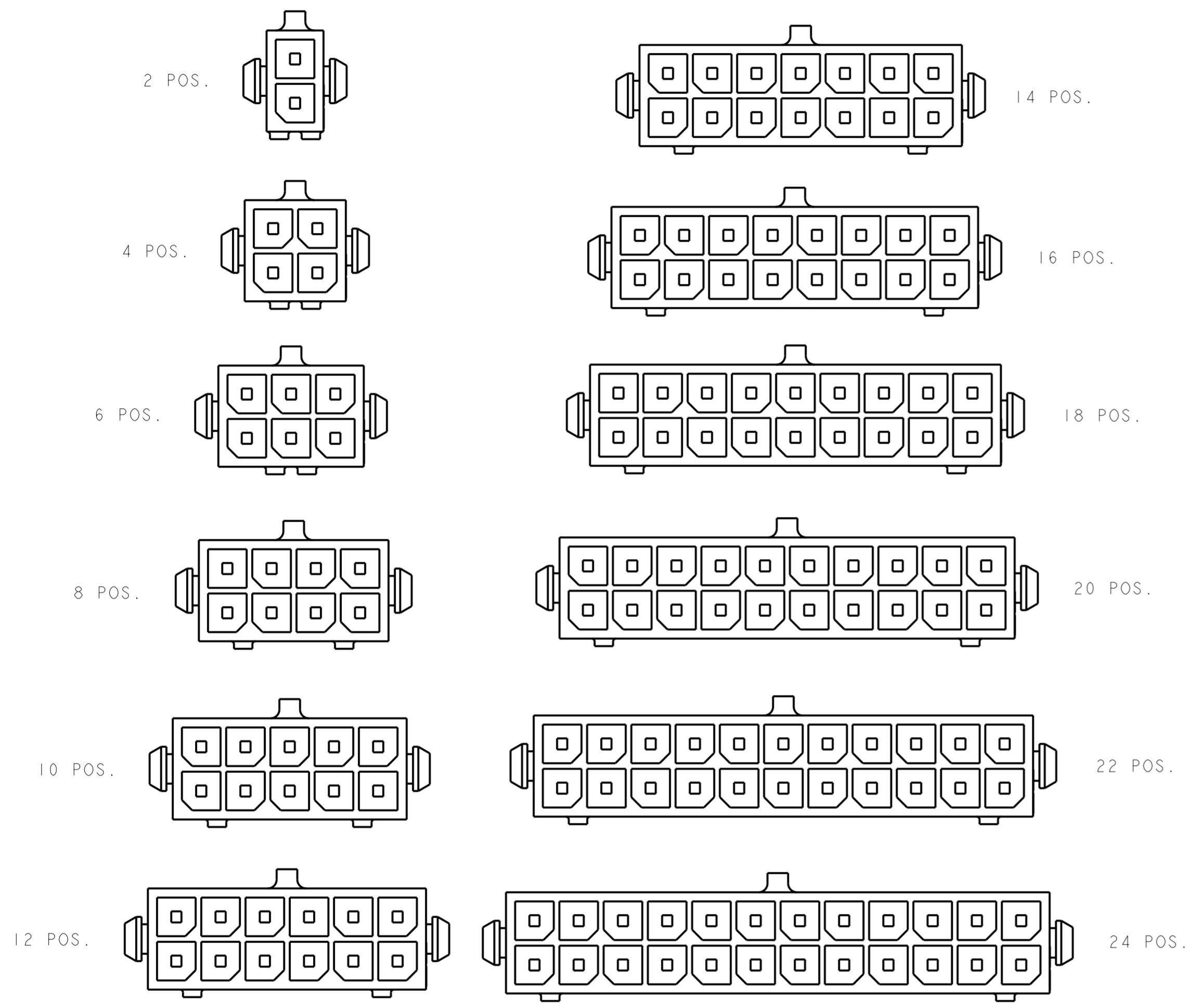
- 1 MATERIAL;
HOUSING - UL 94V-0 RATED HIGH TEMP NYLON, COLOR BLACK.
CONTACTS - BRASS.
HOLDDOWNS - PHOSPHOR BRONZE.
- 2 DIMENSION APPLIES TO SOLDER TAIL SURFACES AND STANDOFF SURFACES.
- 3 RECOMMENDED PC BOARD THICKNESS OF 1.57.
- 4 ALL SOLDER TAILS AND HOLDDOWNS.
- 5 PLATING;
CONTACTS - 0.76µm MINIMUM GOLD ON MATING AREA.
2.54µm MINIMUM MATTE TIN ON SOLDER TAIL.
ALL OVER 1.27µm MINIMUM NICKEL.
HOLDDOWNS - 2.54µm MINIMUM MATTE TIN OVER 1.27µm MINIMUM NICKEL.
- 6 SPECIAL PACKAGING : 1 PLASTIC BAG PER REEL, ALL REELS INTO THE BOX.
- 7 COUNTERPART RECOMMENDED IS PN 794617 (DASH ACCORDING TO NUMBER OF POSITION).
- 8 FOR REELING DIRECTION AND PACKAGING TYPE, SEE SPECIFICATION 114-13000.

18.86	22.79	15.00	22.00	12	7-794629-2
12.86	16.79	9.00	16.00	8	6-794629-8
6.86	10.79	3.00	10.00	4	6-794629-4
36.86	40.79	33.00	40.00	24	5-794629-4
33.86	37.79	30.00	37.00	22	5-794629-2
30.86	34.79	27.00	34.00	20	5-794629-0
27.86	31.79	24.00	31.00	18	4-794629-8
24.86	28.79	21.00	28.00	16	4-794629-6
21.86	25.79	18.00	25.00	14	4-794629-4
18.86	22.79	15.00	22.00	12	4-794629-2
15.86	19.79	12.00	19.00	10	4-794629-0
12.86	16.79	9.00	16.00	8	3-794629-8
9.86	13.79	6.00	13.00	6	3-794629-6
6.86	10.79	3.00	10.00	4	3-794629-4
3.86	7.79	-	7.00	2	3-794629-2
DIM Y	DIM W	DIM Z	DIM X	NO. OF POSN.	PART NUMBER

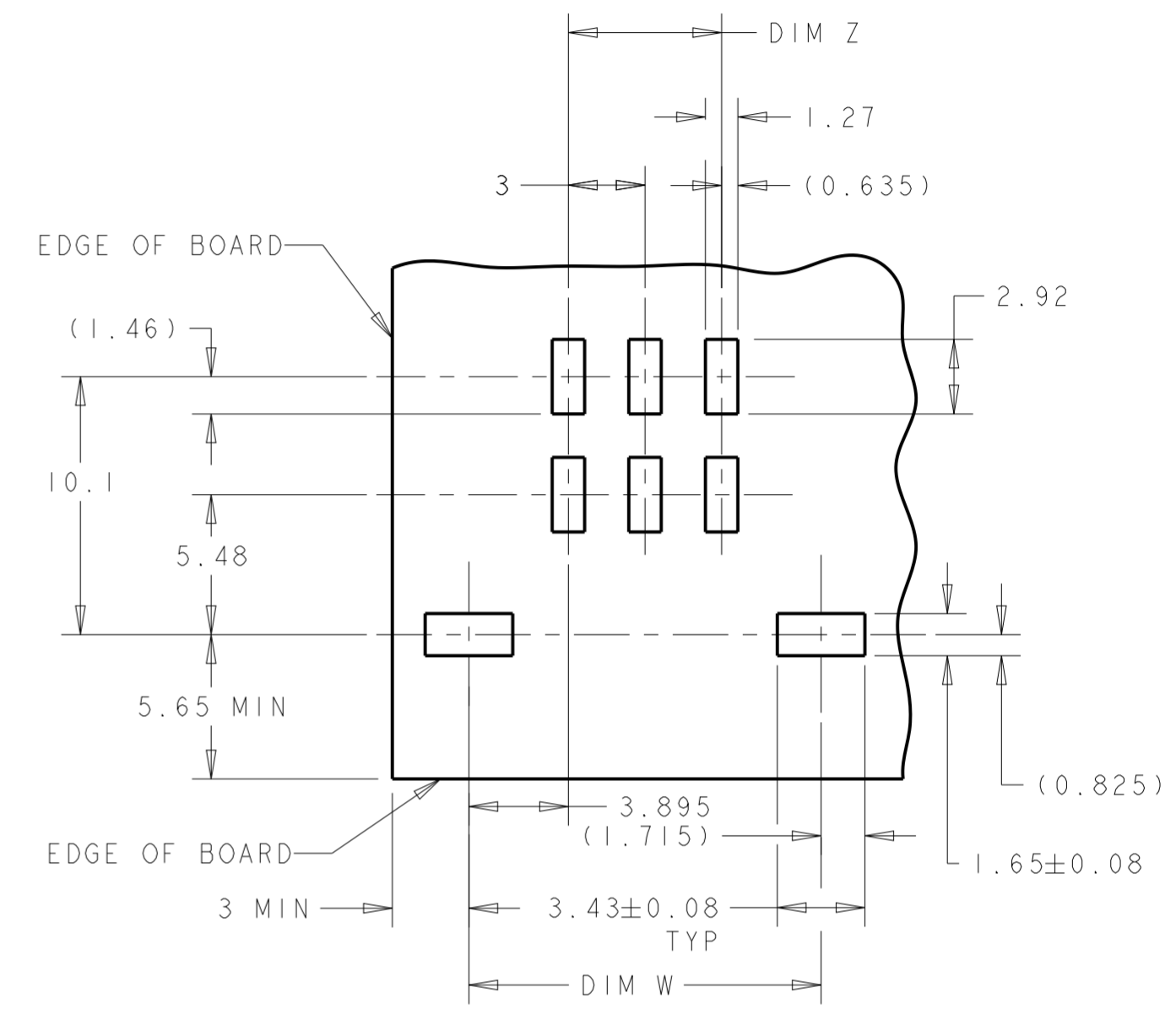
THIS DRAWING IS A CONTROLLED DOCUMENT.		DWN K. WHITAKER 19MAR2003	TE Connectivity		
DIMENSIONS: mm		CHK C. JONES 19MAR2003			
TOLERANCES UNLESS OTHERWISE SPECIFIED:		APVD C. JONES 19MAR2003	NAME SURFACE MOUNT, RIGHT ANGLE, SURFACE MOUNT HOLDDOWN, ASSEMBLY, 30 GOLD HEADER, DUAL ROW, MICRO MATE-N-LOK™		
0 PLC ± 1 PLC ± 2 PLC ±0.13 3 PLC ± 4 PLC ± ANGLES ±1° FINISH		PRODUCT SPEC 108-1836	SIZE 114-13000	CAGE CODE A20779	DRAWING NO. C-794629
MATERIAL	1	WEIGHT	-	SCALE	4:1
CUSTOMER DRAWING			SHEET	1	OF 2
					REV H5

THIS DRAWING IS UNPUBLISHED. RELEASED FOR PUBLICATION 20
 © COPYRIGHT 20 BY - ALL RIGHTS RESERVED.

REVISIONS				
P	LTR	DESCRIPTION	DATE	APVD
-	-	SEE SHEET 1	-	-



KEYING BY POSITION SIZE



RECOMMENDED PCB LAYOUT (COMPONENT SIDE) 3

THIS DRAWING IS A CONTROLLED DOCUMENT.		DWN K. WHITAKER 19MAR2003	TE Connectivity
DIMENSIONS: mm		CHK C. JONES 19MAR2003	
TOLERANCES UNLESS OTHERWISE SPECIFIED:		APVD C. JONES 19MAR2003	NAME SURFACE MOUNT, RIGHT ANGLE, SURFACE MOUNT HOLDDOWN, ASSEMBLY, 30 GOLD HEADER, DUAL ROW, MICRO MATE-N-LOK
0 PLC ±	1 PLC ±	PRODUCT SPEC 108-1836	SIZE A200779
2 PLC ±0.13	3 PLC ±	APPLICATION SPEC 114-13000	CAGE CODE C-794629
4 PLC ±	ANGLES ±1°	WEIGHT -	DRAWING NO -
MATERIAL -	FINISH -	CUSTOMER DRAWING	RESTRICTED TO -
		SCALE 4:1	SHEET 2 OF 2
			REV H5

Mouser Electronics

Authorized Distributor

Click to View Pricing, Inventory, Delivery & Lifecycle Information:

[TE Connectivity:](#)

[1-794629-2](#)