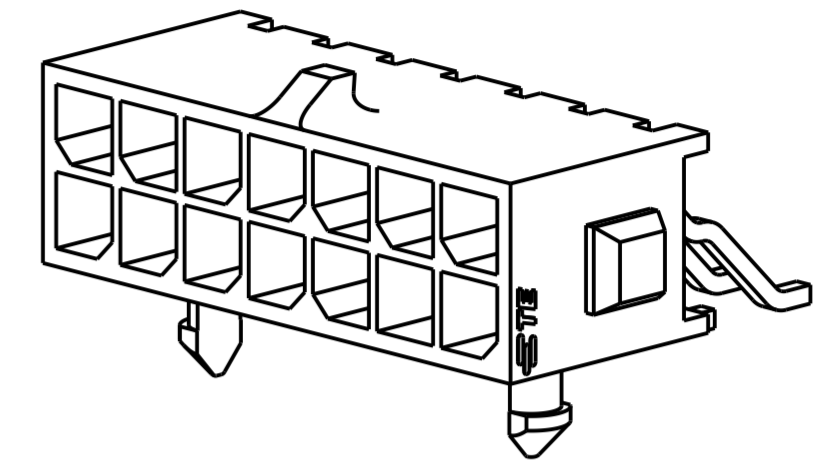
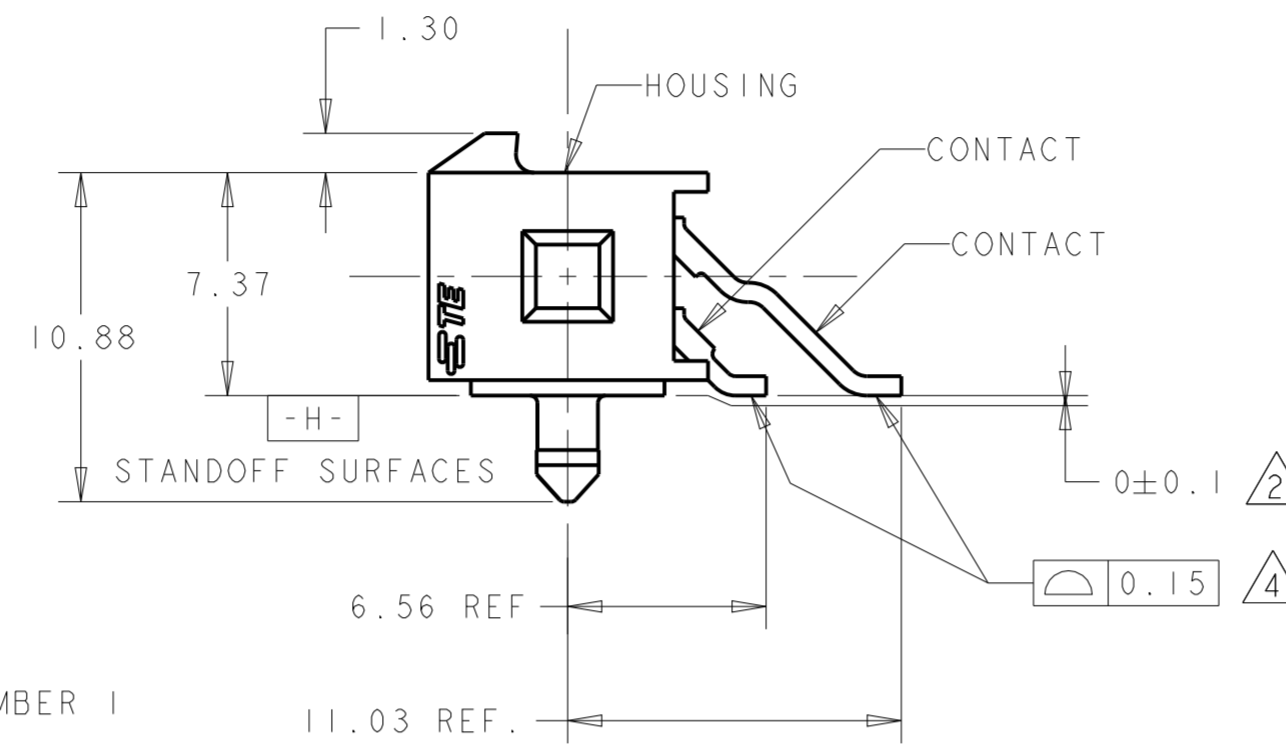
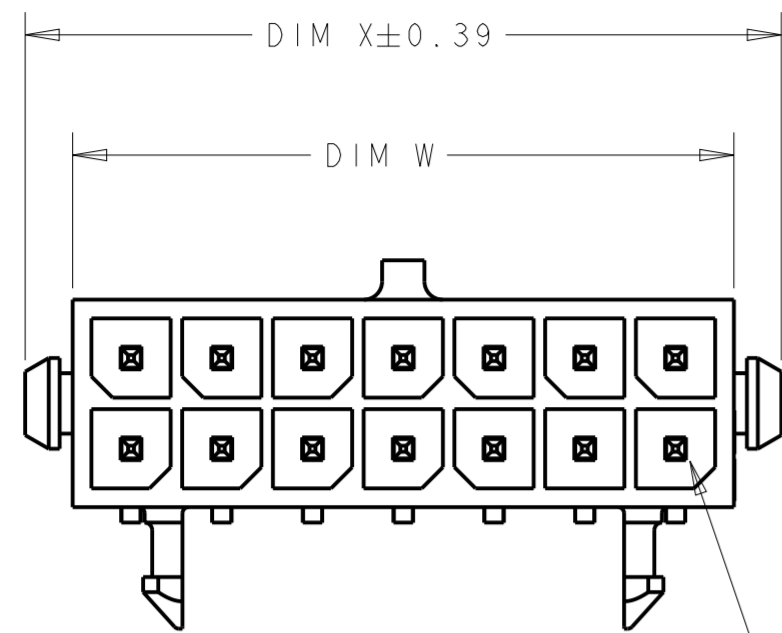
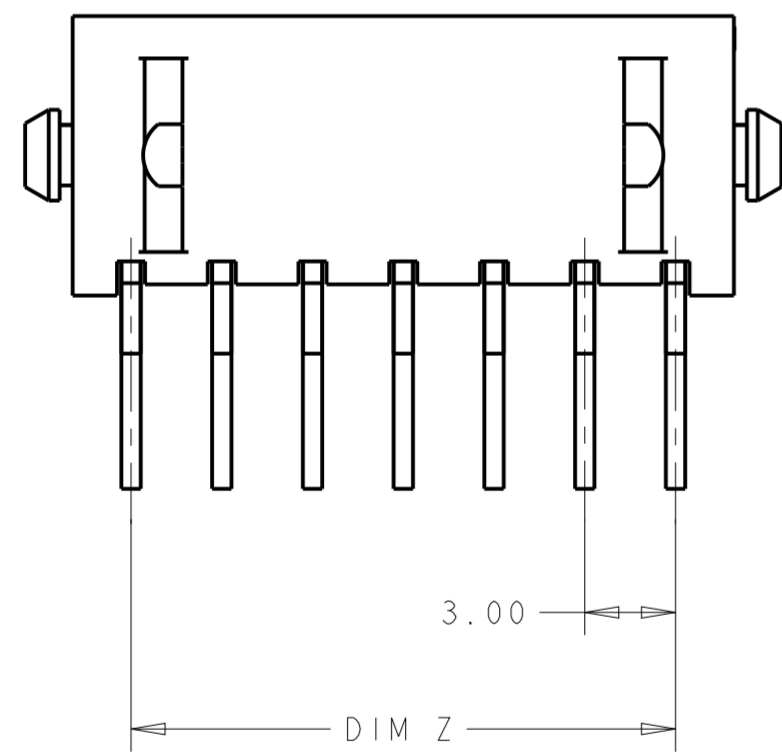


P	LTR	DESCRIPTION	DATE	DWN	APVD
G1		REVISED PER ECR-16-011494	22JUN2017	NK	CX
G2		ECO-19-006502	30APR2019	AP	WLS
G3		REVISED PER ECO-20-009852	14JUL2020	WLS	DZ
G4		REVISED PER ECN-21-100661	18FEB2021	WLS	VS



CIRCUIT NUMBER 1



- 1 MATERIAL;
HOUSING - UL 94V-0 RATED HIGH TEMP NYLON, COLOR BLACK.
CONTACTS - BRASS.
 - 2 DIMENSION APPLIES TO SOLDERTAIL SURFACES AND STANDOFF SURFACES.
 - 3 RECOMMENDED PC BOARD THICKNESS OF 1.57.
 - 4 ALL SOLDERTAILS.
 - 5 FINISH;
CONTACTS - 2.54µm MINIMUM MATTE TIN OVER 1.27µm MINIMUM NICKEL.
- 6 COUNTERPART RECOMMENDED IS PN 794617 (DASH ACCORDING TO NUMBER OF POSITION).
- 7 FOR REELING DIRECTION AND PACKAGING TYPE, SEE SPECIFICATION 114-13000.

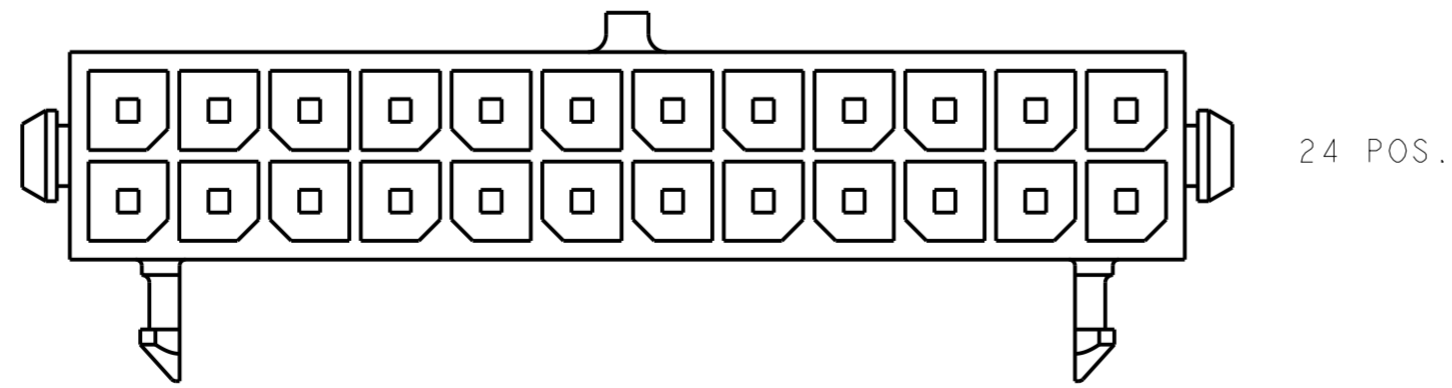
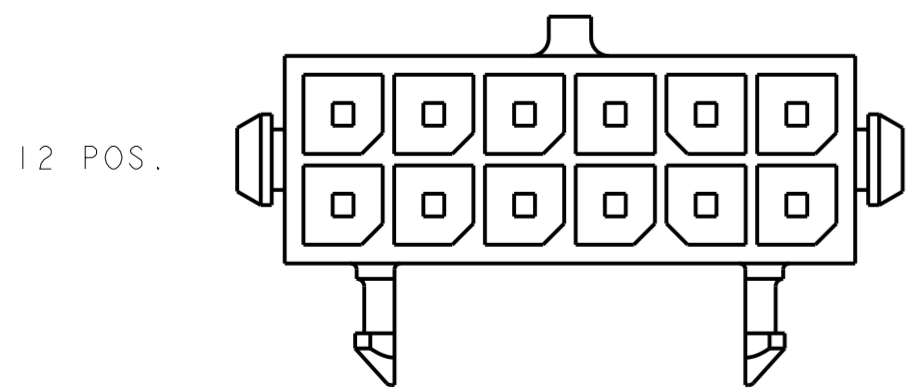
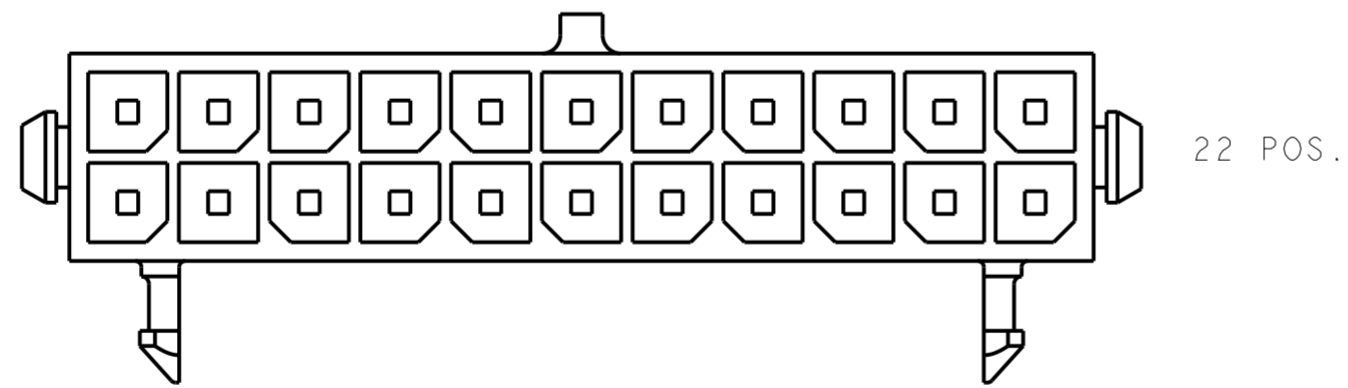
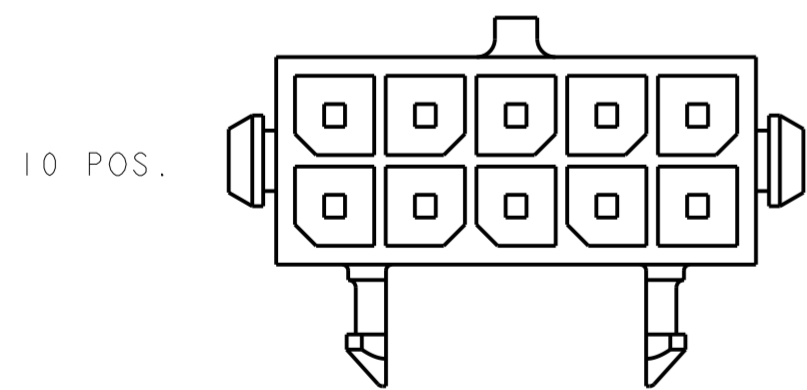
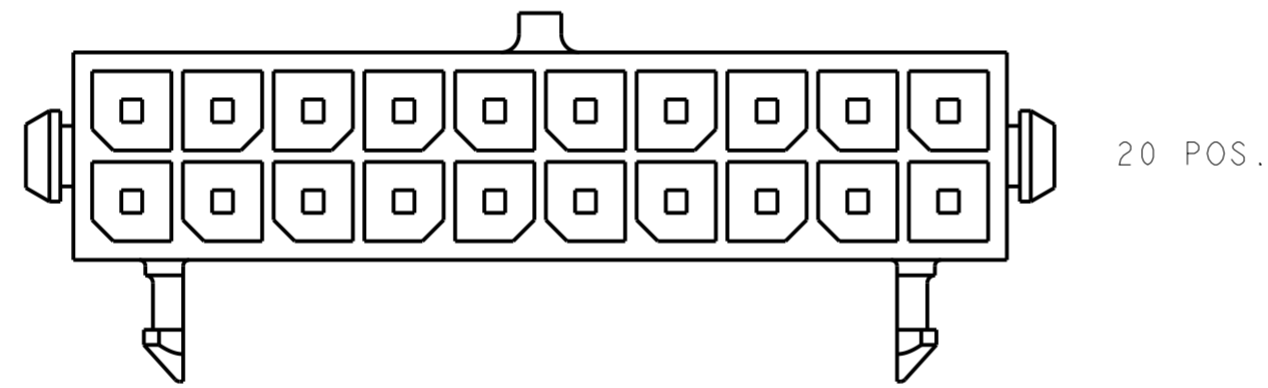
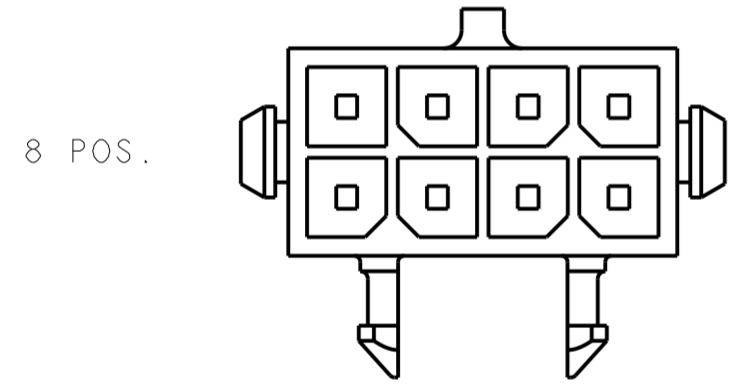
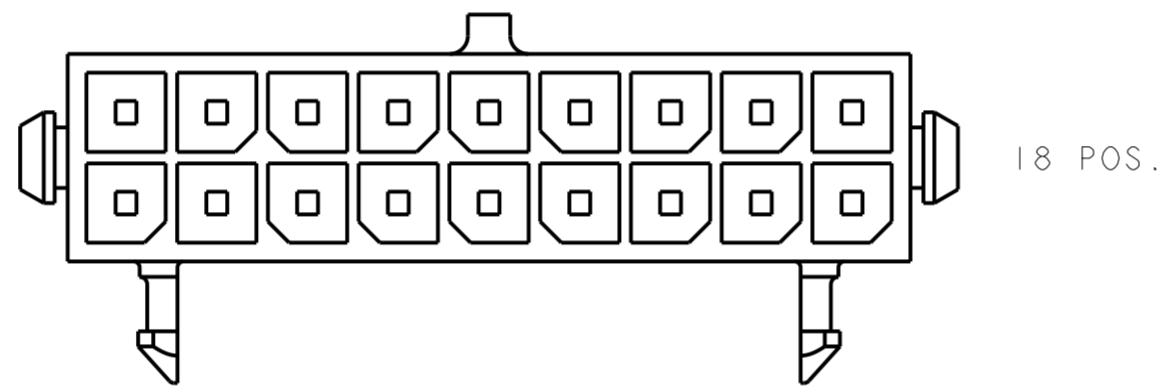
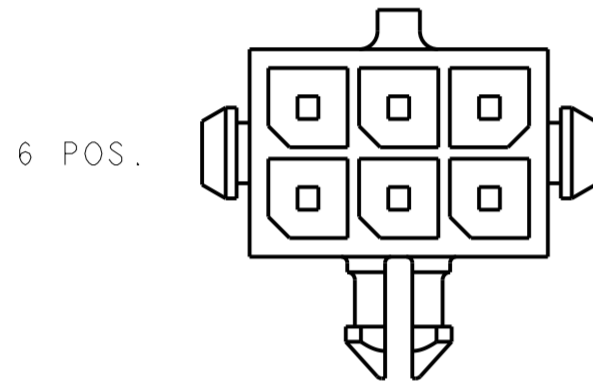
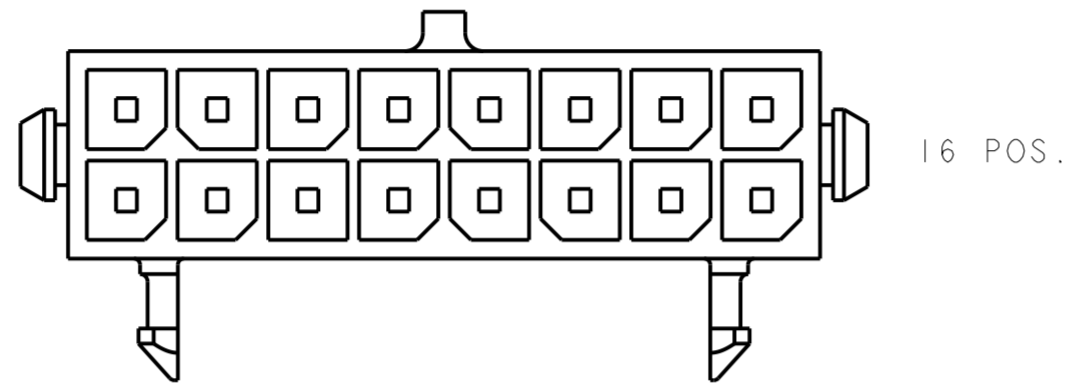
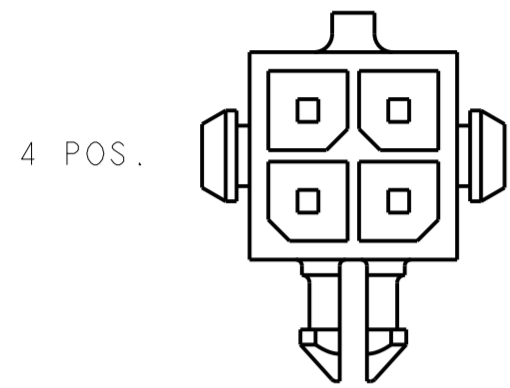
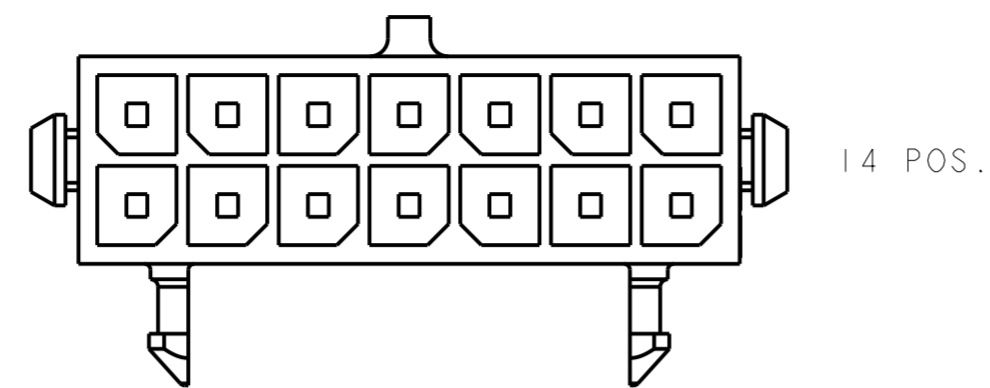
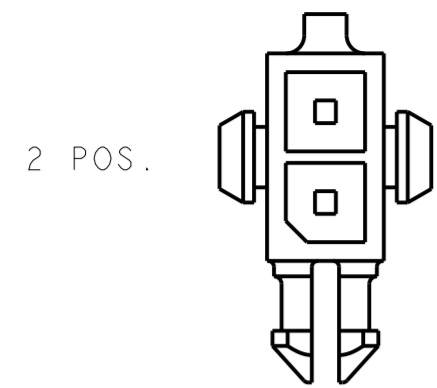
36.86	28.70	33.00	40.00	24	5-794621-4
33.86	25.70	30.00	37.00	22	5-794621-2
30.86	22.70	27.00	34.00	20	5-794621-0
27.86	19.70	24.00	31.00	18	4-794621-8
24.86	16.70	21.00	28.00	16	4-794621-6
21.86	13.70	18.00	25.00	14	4-794621-4
18.86	10.70	15.00	22.00	12	4-794621-2
15.86	7.70	12.00	19.00	10	4-794621-0
12.86	4.70	9.00	16.00	8	3-794621-8
9.86	-	6.00	13.00	6	3-794621-6
6.86	-	3.00	10.00	4	3-794621-4
3.86	-	-	7.00	2	3-794621-2
DIM W	DIM Y	DIM Z	DIM X	NO. OF POSN.	PART NUMBER

THIS DRAWING IS A CONTROLLED DOCUMENT.

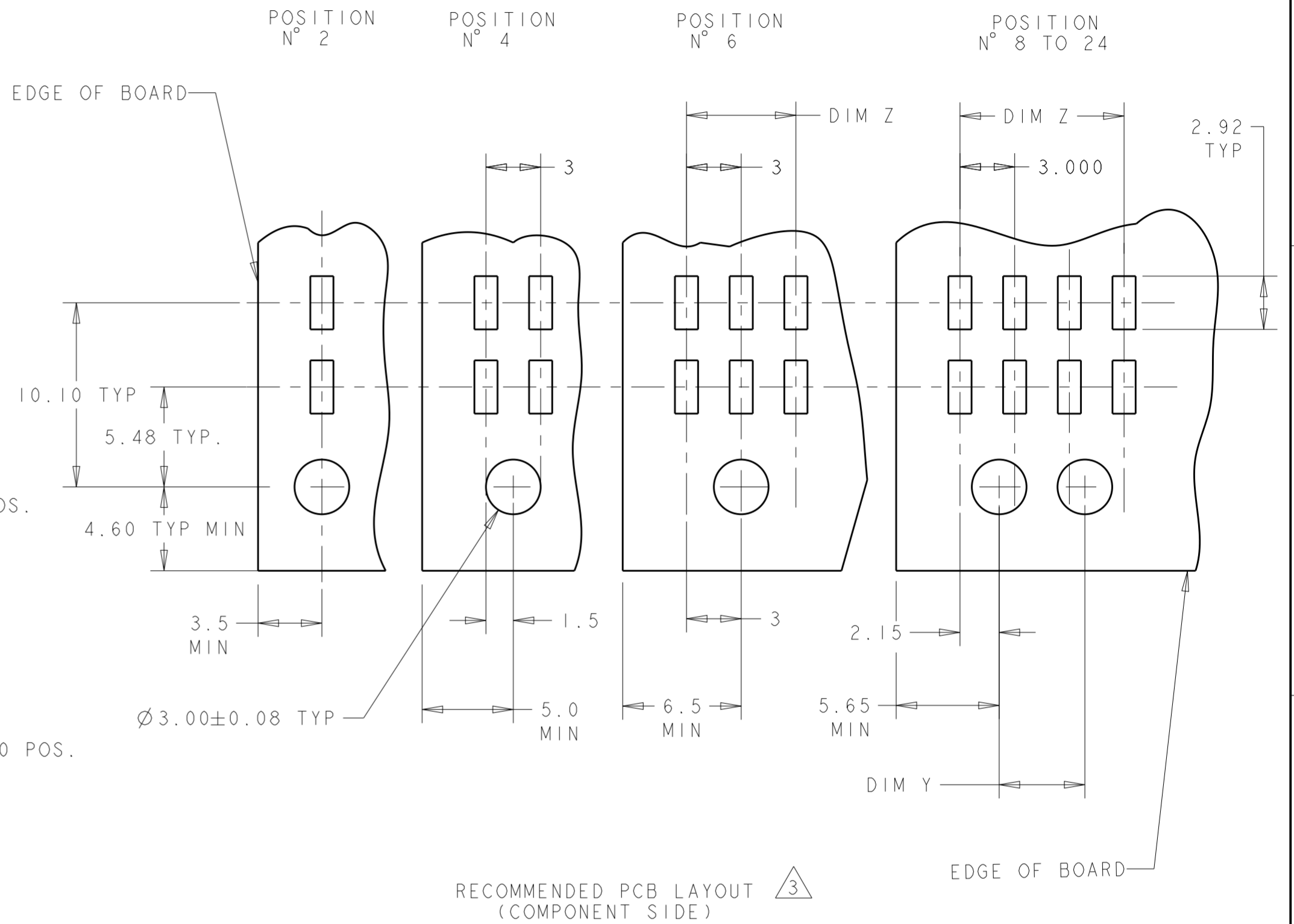
DIMENSIONS: mm	TOLERANCES UNLESS OTHERWISE SPECIFIED: 0 PLC ± 1 PLC ± 2 PLC ±0.13 3 PLC ± 4 PLC ± ANGLES ±1° FINISH	DWN S. HOOVER 23-MAR-2005 CHK C. JONES 23-MAR-2005 APVD C. JONES 23-MAR-2005	TE Connectivity NAME ASSEMBLY, SURFACE MOUNT, R/A, TIN HEADER, PLASTIC BOARDLOCK, MICRO MATE-N-LOK(TM)
MATERIAL	1	5	

CUSTOMER DRAWING

REVISIONS				
P	LTR	DESCRIPTION	DATE	APVD
-	-	SEE SHEET 1	-	-



KEYING BY POSITION SIZE



THIS DRAWING IS A CONTROLLED DOCUMENT.		DWN S. HOOVER 23-MAR-2005		NAME		
DIMENSIONS:		CHK C. JONES 23-MAR-2005		ASSEMBLY, SURFACE MOUNT, R/A, TIN HEADER, PLASTIC BOARDLOCK, MICRO MATE-N-LOK(TM)		
TOLERANCES UNLESS OTHERWISE SPECIFIED:		APVD C. JONES 23-MAR-2005		SIZE	CAGE CODE	DRAWING NO
mm		PRODUCT SPEC		A2	0779	C-794621
		APPLICATION SPEC	RESTRICTED TO		REV	
MATERIAL		114-13000	SCALE		4:1	
FINISH		WEIGHT	SHEET		2 OF 2	
-		CUSTOMER DRAWING	REV		G4	

Mouser Electronics

Authorized Distributor

Click to View Pricing, Inventory, Delivery & Lifecycle Information:

[TE Connectivity:](#)

[794621-8](#)