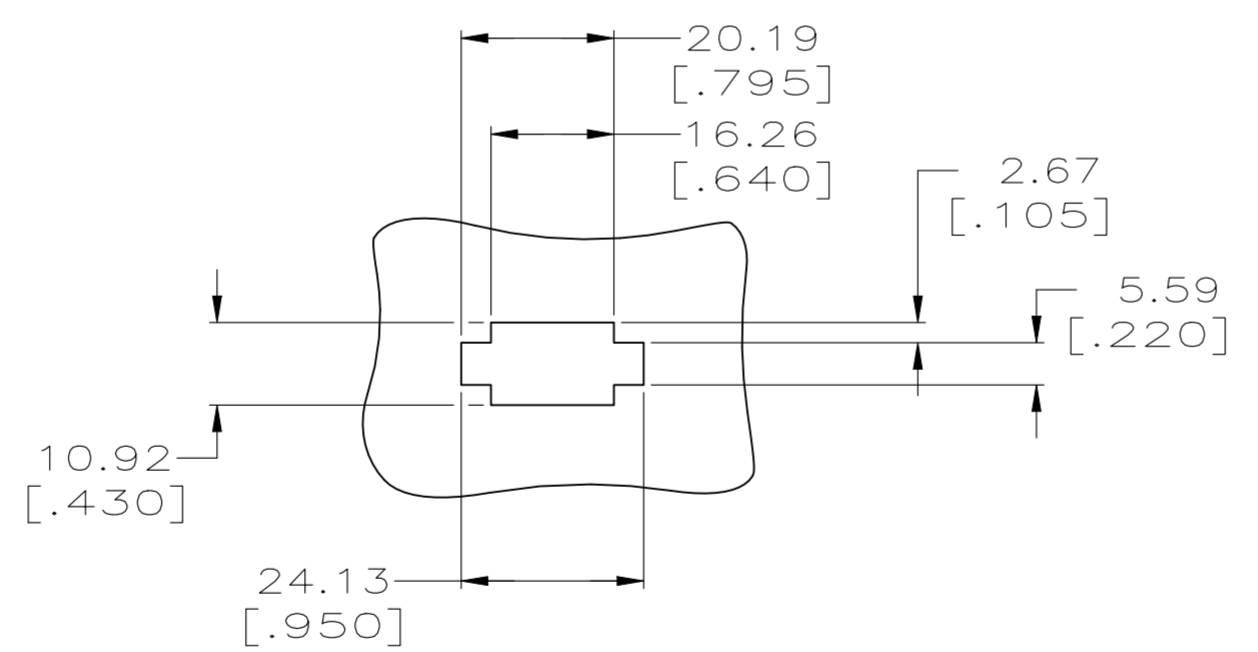
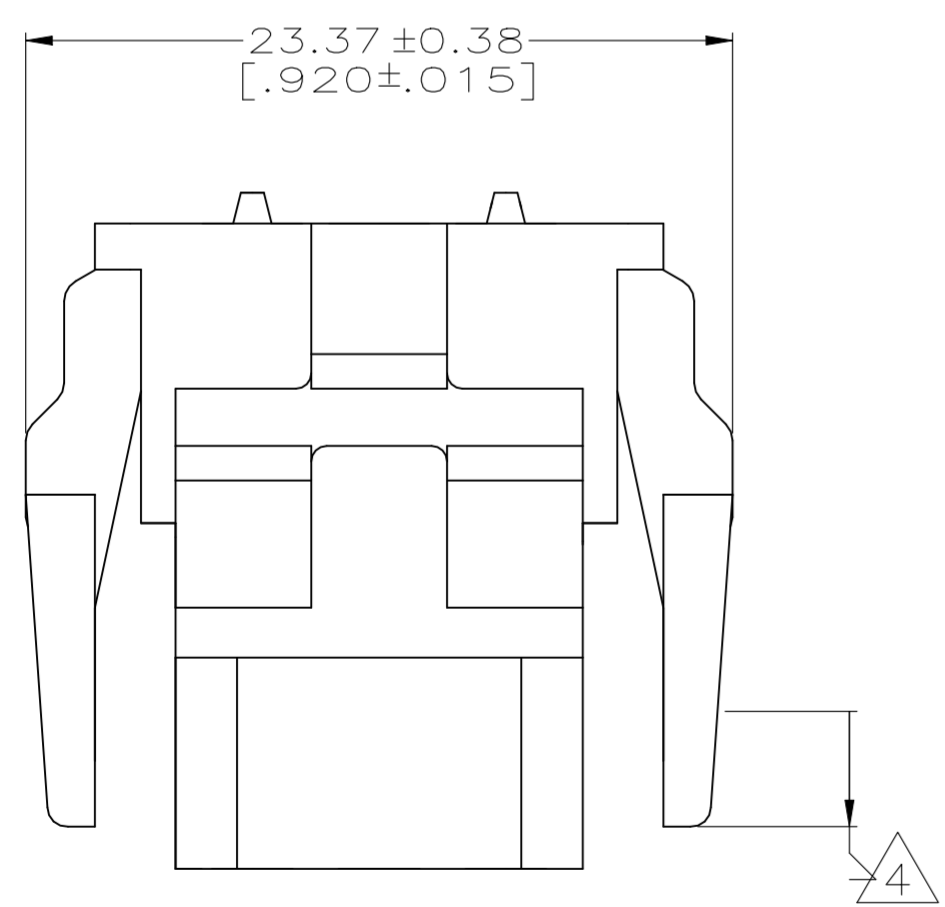
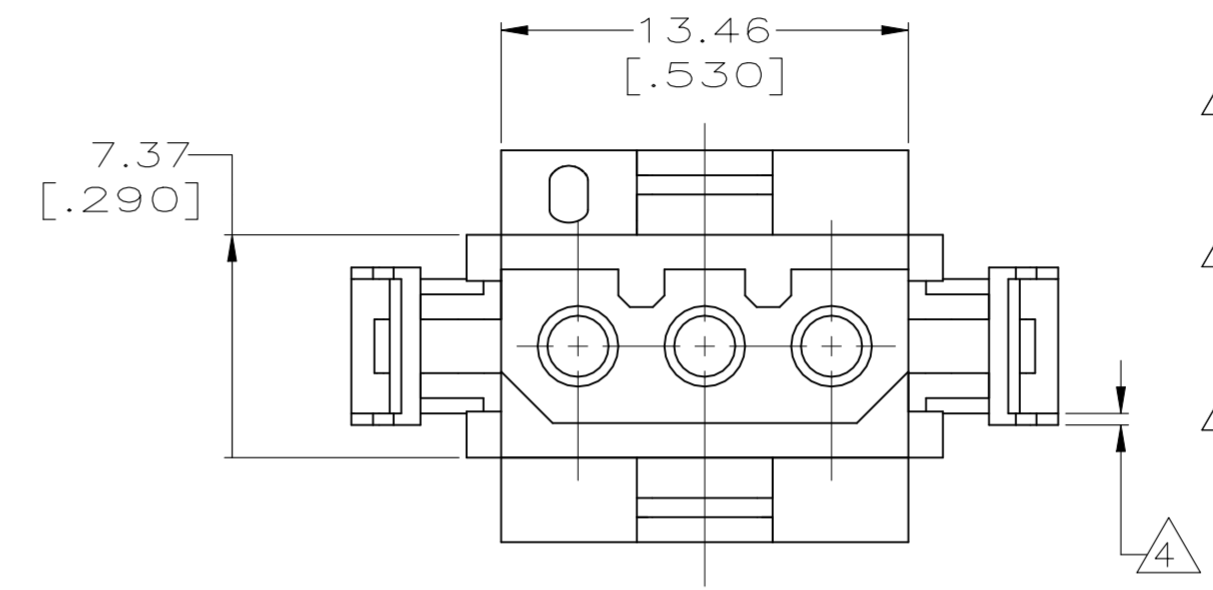
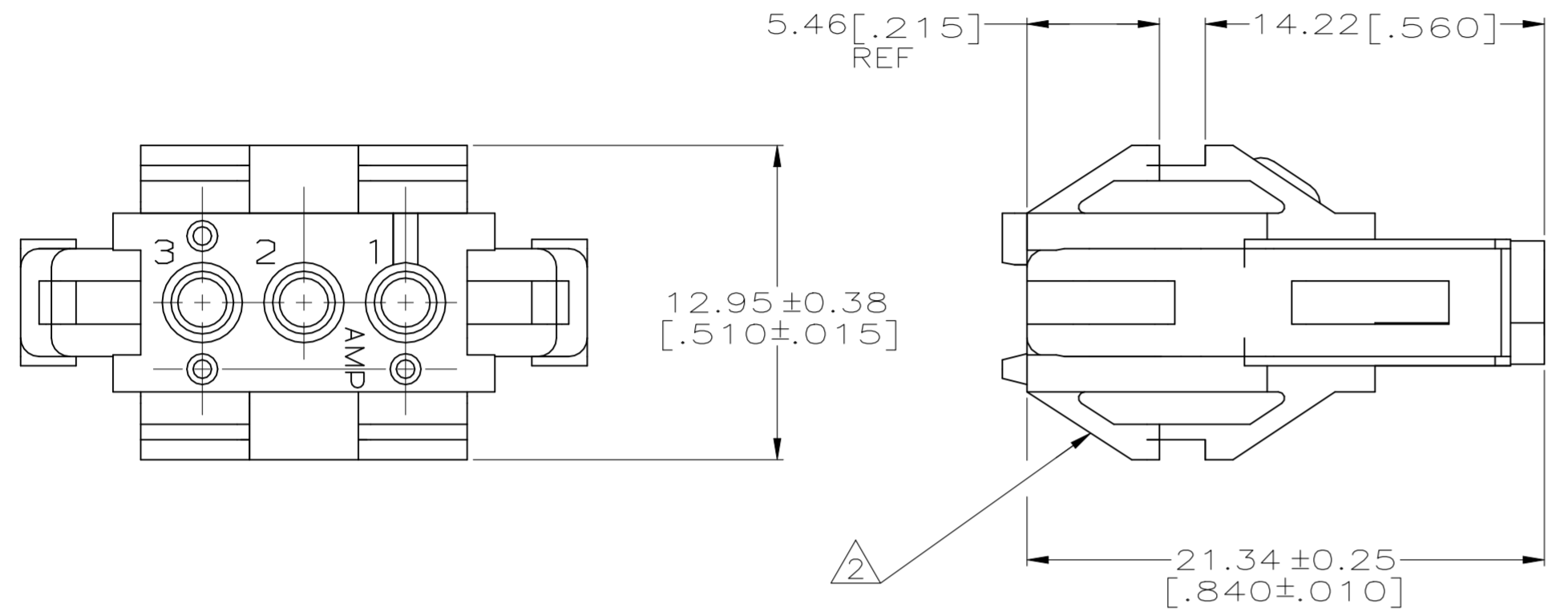


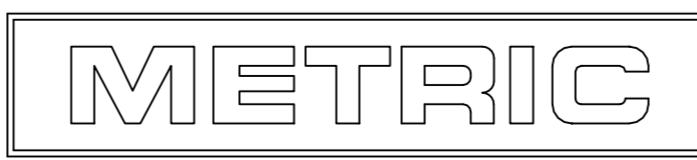
REVISIONS					
P	LTR	DESCRIPTION	DATE	DWN	APVD
G		REVISED PER ECO-21-006864	10AUG2021	RK	MZ



RECOMMENDED CUT OUT  
FOR 1.73 [.068] MAX THICK PANEL  
SCALE 1:1

- 1. MATES WITH HOUSING 640508.
- 2. UL LOGO AND CSA LOGO TO APPEAR ON EITHER LATCH SURFACE PER AMP SPEC 202-20, I.D. NO. 1-18838-3 AND 1-18839-3. FROST BACKGROUND OPTIONAL.
- 3. DIMENSIONS IN BRACKETS ARE IN INCHES.
- 4. NON-FILL PERMITTED UP TO 3.8 [.15] FROM EDGE OF LATCH ARM ON THE 0.38 [.015] THICK FLANGE, 4 PLC.
- 4. NON-FILL PERMITTED UP TO 3.8 [.15] FROM EDGE OF LATCH ARM ON THE 0.38 [.015] THICK FLANGE, 4 PLC.
- 5. HOUSING MATERIAL: PA66, BLACK, UL 94 V-0 RATED

1-640518-0  
PART NUMBER



THIS DRAWING IS A CONTROLLED DOCUMENT.		DWN R. VESTAL 12-01-97			
DIMENSIONS: mm [INCHES]		CHK R. SWING 12-01-97			
TOLERANCES UNLESS OTHERWISE SPECIFIED:		APVD A. BEDDICK 12-01-97	NAME HOUSING, PLUG MRII 3 POSITION		
0 PLC ± -		PRODUCT SPEC	SIZE A2	CAGE CODE 00779	DRAWING NO C-640518
1 PLC ± -		APPLICATION SPEC	RESTRICTED TO	-	
2 PLC ± 0.13 [.005]		WEIGHT	SCALE 4:1 SHEET 1 OF 1 REV G		
3 PLC ± -		CUSTOMER DRAWING			
4 PLC ± -					
ANGLES ± 0° 30'					
MATERIAL		FINISH			
5					

# Mouser Electronics

Authorized Distributor

Click to View Pricing, Inventory, Delivery & Lifecycle Information:

[TE Connectivity:](#)

[1-640518-0](#)