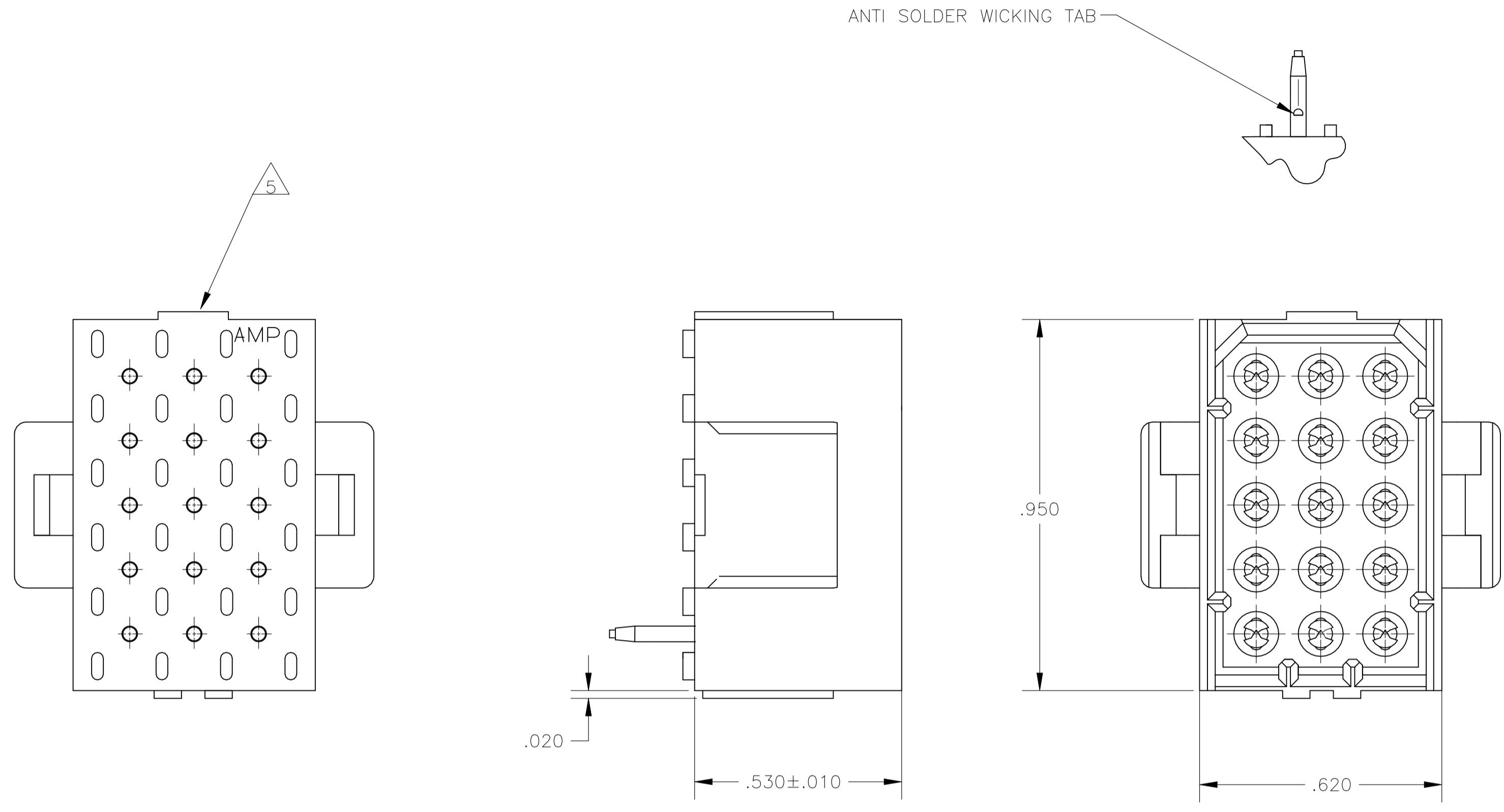
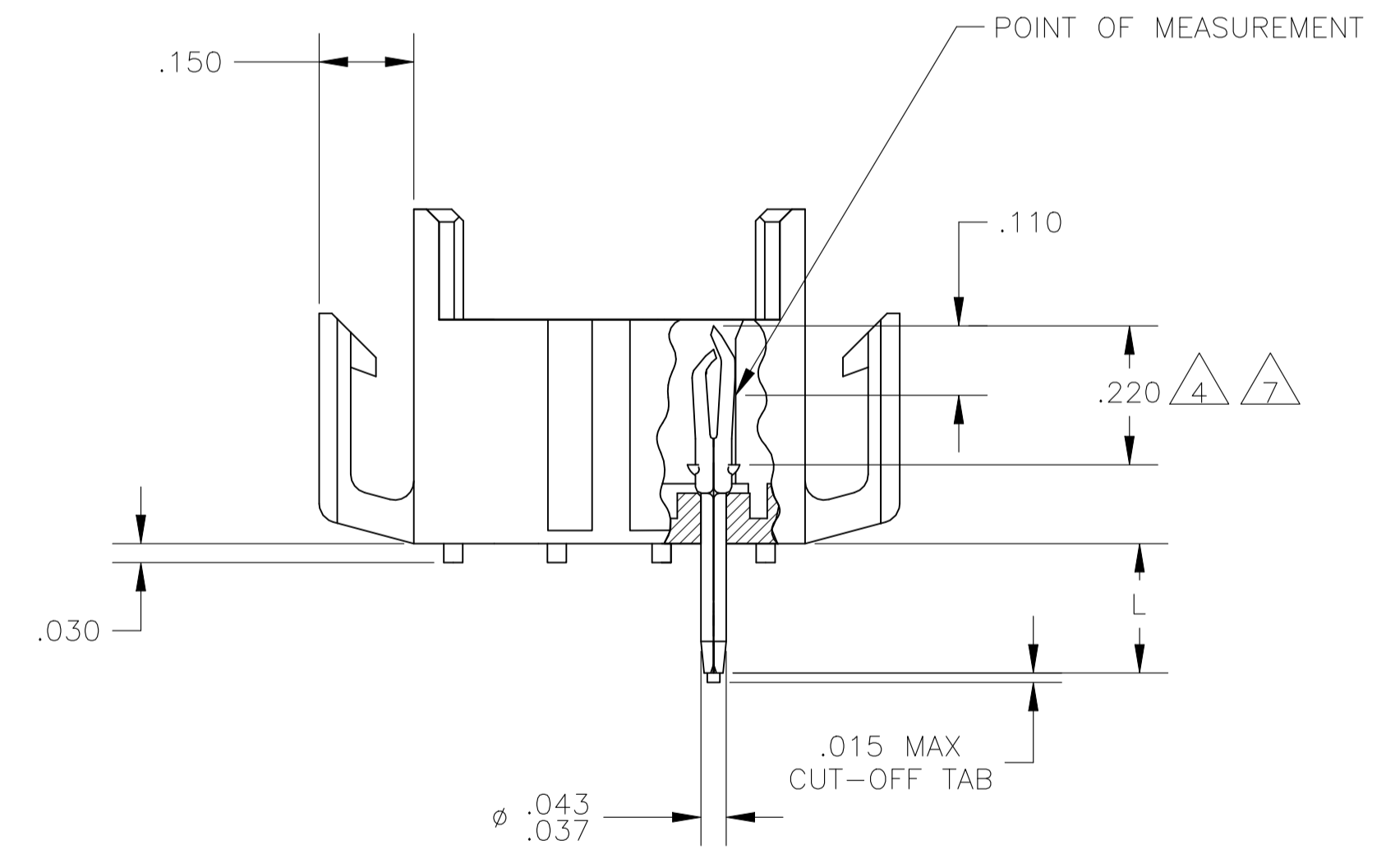
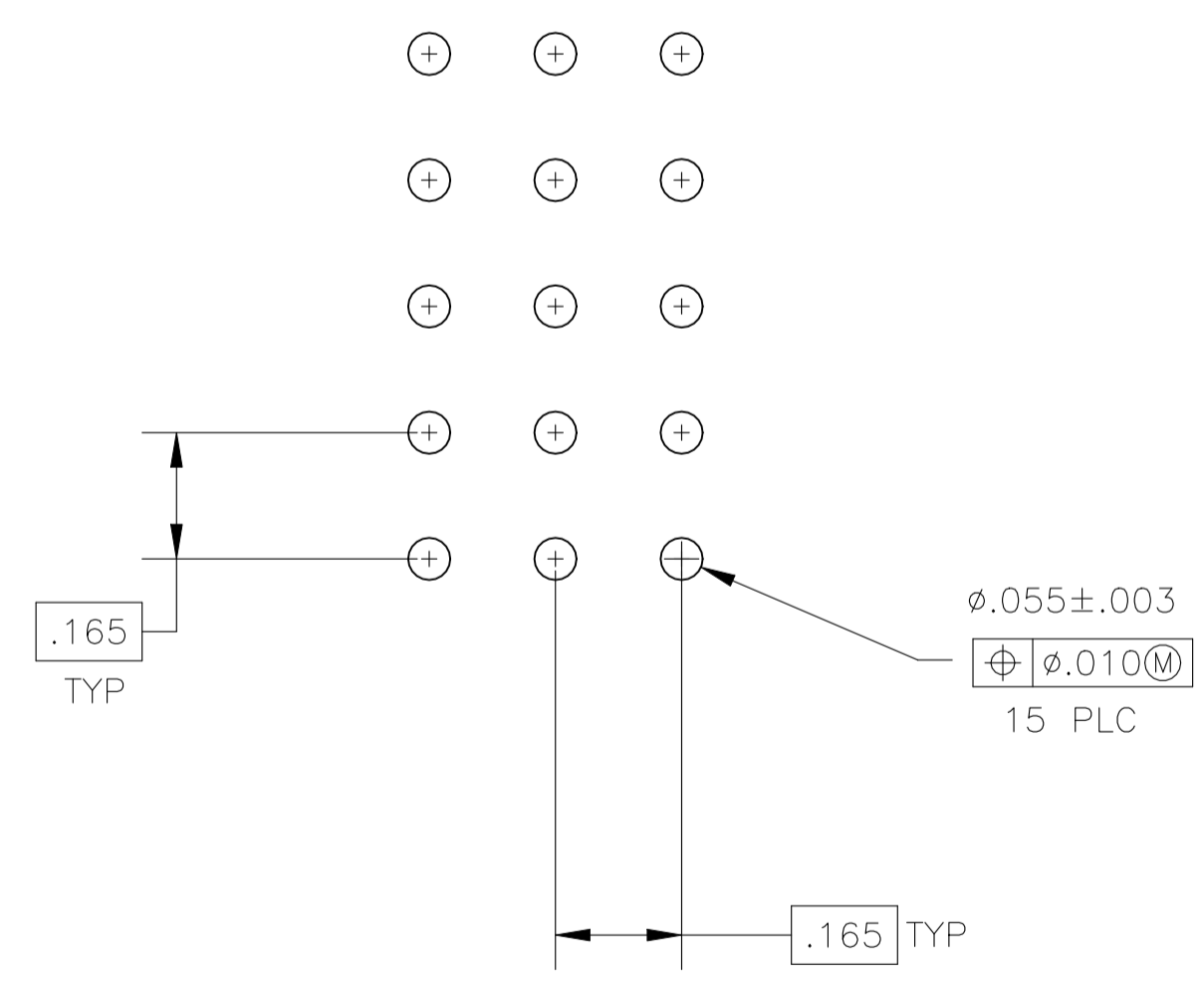


REVISIONS					
P	LTR	DESCRIPTION	DATE	DRN	APVD
S		ECO-21-006877	14DEC2021	RK	MZ



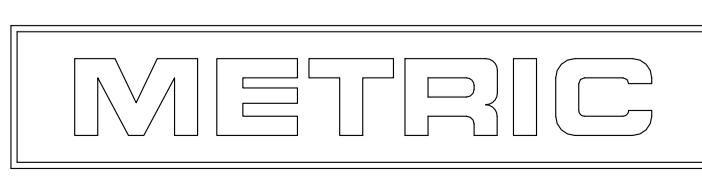
- FITS SOCKET HOUSING 640523.
- ASSEMBLY CONFORMS TO AMP SOLDERABILITY SPEC. 109-11-3.
- FOR USE WITH .063 THICK P.C. BOARD.
- CONTACT IS PLATED OVERALL WITH .000050 NICKEL, THEN .000030 GOLD OVER CONTACT LENGTH INDICATED AND .000150 MATTE TIN-LEAD ON SOLDER TAIL END.
- UL AND CSA LOGO LOCATED ON THIS SURFACE.
- FOR USE WITH .120 THICK P.C. BOARD.
- CONTACT IS PLATED OVERALL WITH .000050 NICKEL, THEN .000030 GOLD OVER CONTACT LENGTH INDICATED AND .000150 MATTE TIN ON SOLDER TAIL END.
- HOUSING MATERIAL: PA66, BLACK, UL 94 V-0 RATED
CONTACT MATERIAL: PHOSPHOR BRONZE



.210	△6	GOLD	△7	2-640503-4
.150	△3	GOLD	△7	2-640503-2
.210	△6	GOLD	△4	640503-4
.210	△6	PRE-TIN		640503-3
.150	△3	GOLD	△4	640503-2
.150	△3	PRE-TIN		640503-1
"L" ±.010 -.020		PIN FINISH		PART NUMBER

IN	MM	IN	MM	IN	MM	IN	MM
.010	0.25	.055	1.40	.220	5.59	-	-
.008	0.20	.043	1.09	.210	5.33	-	-
.005	0.13	.037	0.94	.165	4.19	-	-
.003	0.08	.030	0.76	.150	3.81	.950	24.13
.000050	0.00127	.020	0.51	.110	2.79	.620	15.75
.000030	0.00076	.015	0.38	.063	1.60	.530	13.46

CONVERSION TABLE



THIS DRAWING IS A CONTROLLED DOCUMENT.

DIMENSIONS: INCHES	TOLERANCES UNLESS OTHERWISE SPECIFIED:	DIN J. HUFFMAN 28 APR 98	APVD T. REDDICK 28 APR 98	NAME
0. PLC ± -	1. PLC ± -	2. PLC ± -	3. PLC ± -.005	4. PLC ANGLES ± 0° 30'
MATERIAL	FINISH	WEIGHT	SIZE	CAGE CODE
△8	SEE TABLE	-	A1	00779
CUSTOMER DRAWING		SCALE	SHEET	REV
		4:1	1 of 1	S

TE Connectivity

HEADER ASSEMBLY, PIN, 15 POSITION, MR.

640503

Mouser Electronics

Authorized Distributor

Click to View Pricing, Inventory, Delivery & Lifecycle Information:

[TE Connectivity:](#)

[2-640503-4](#)