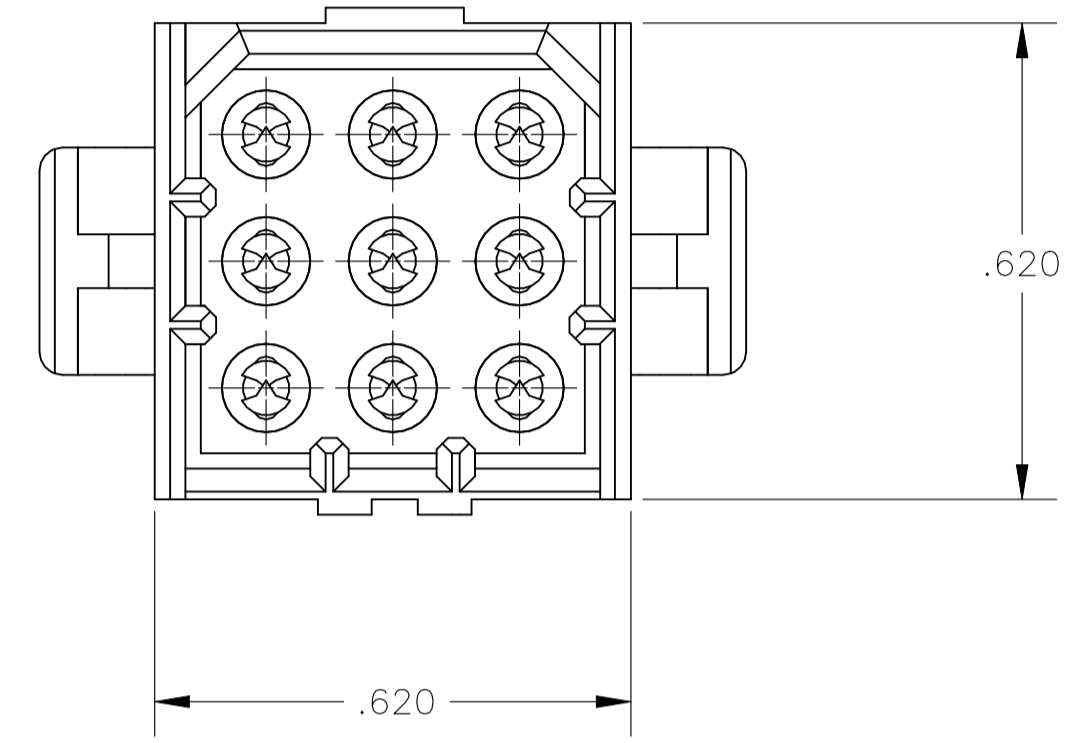
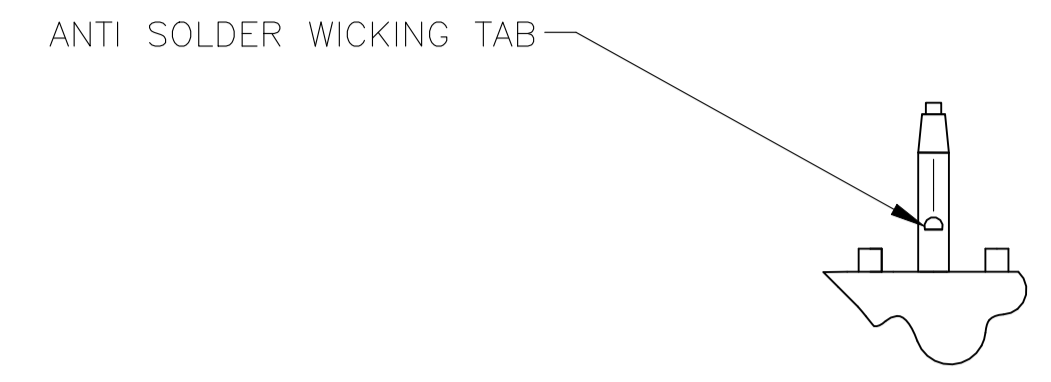
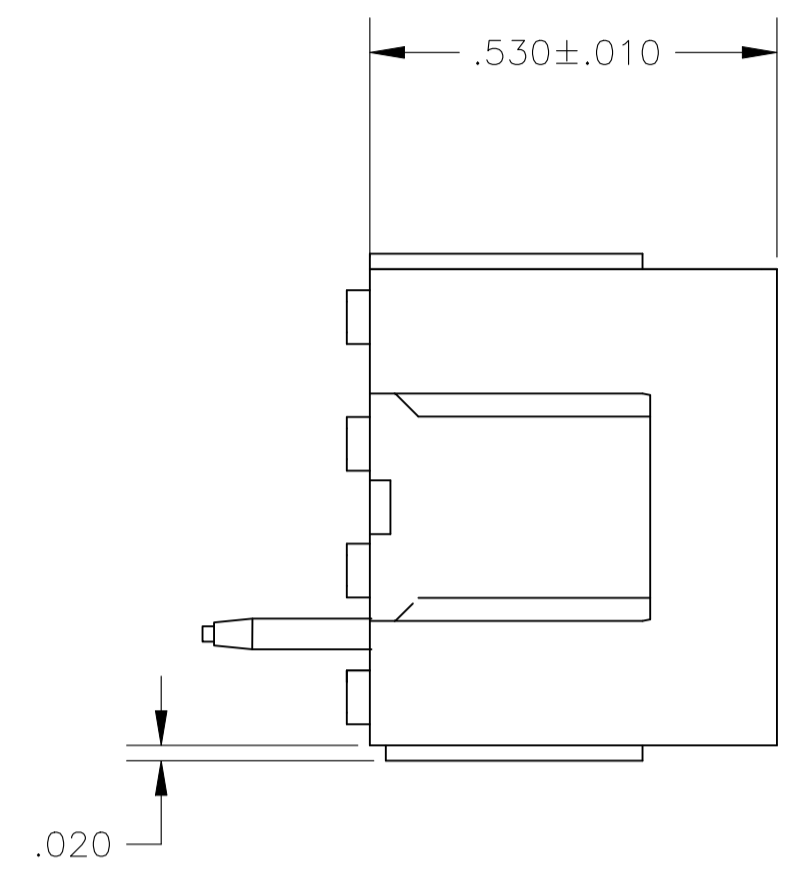
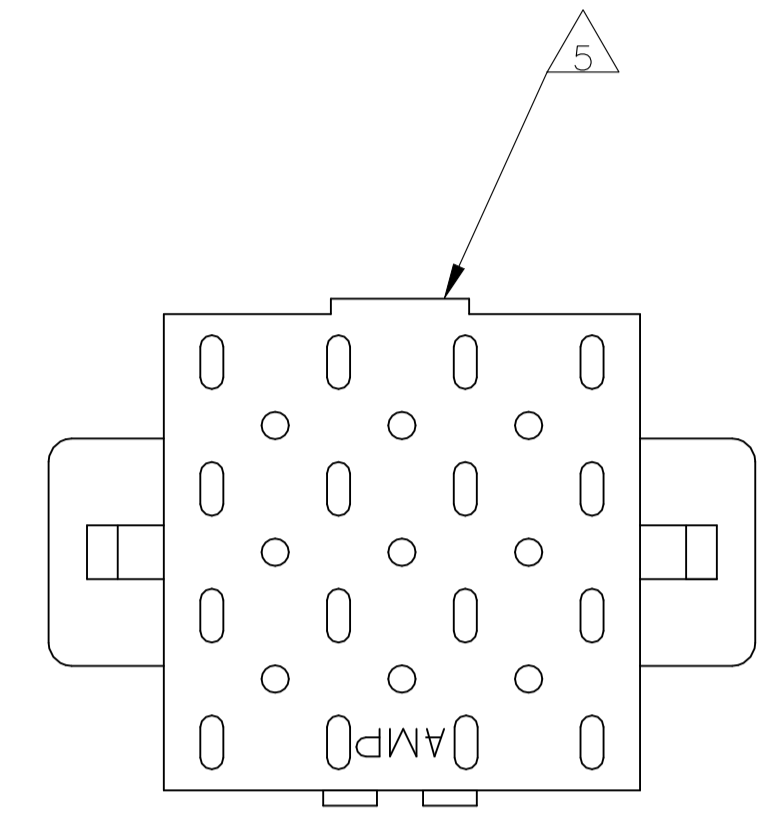
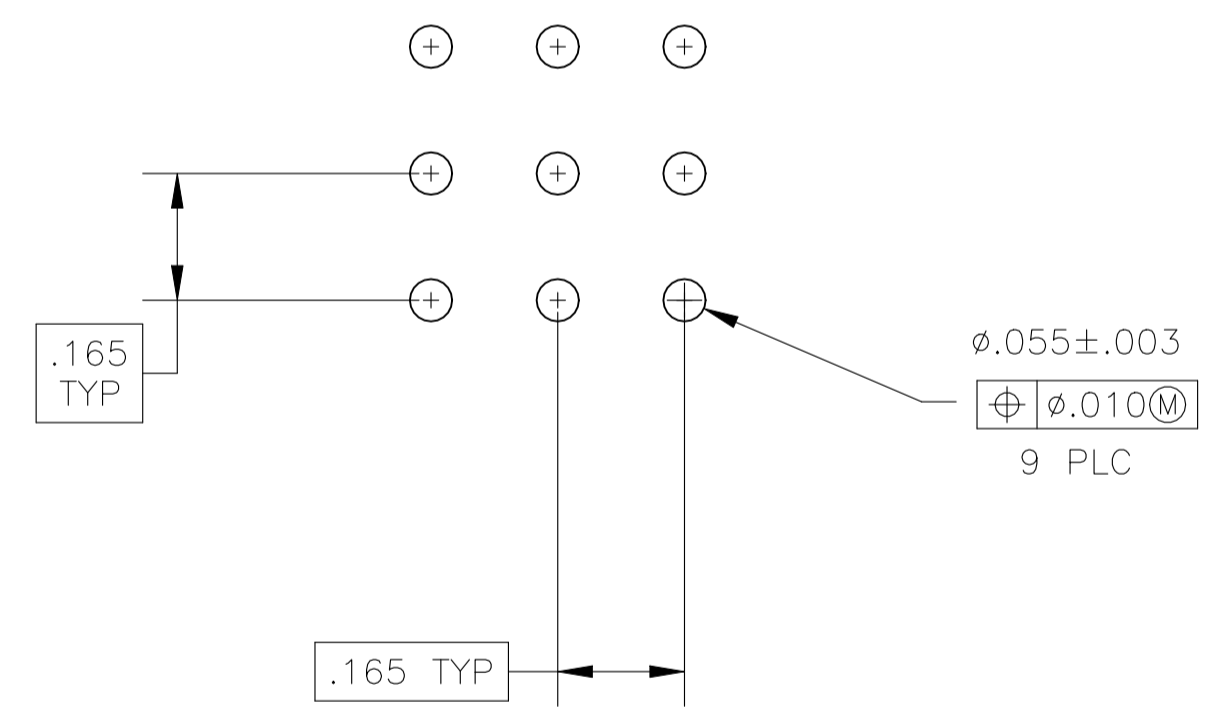


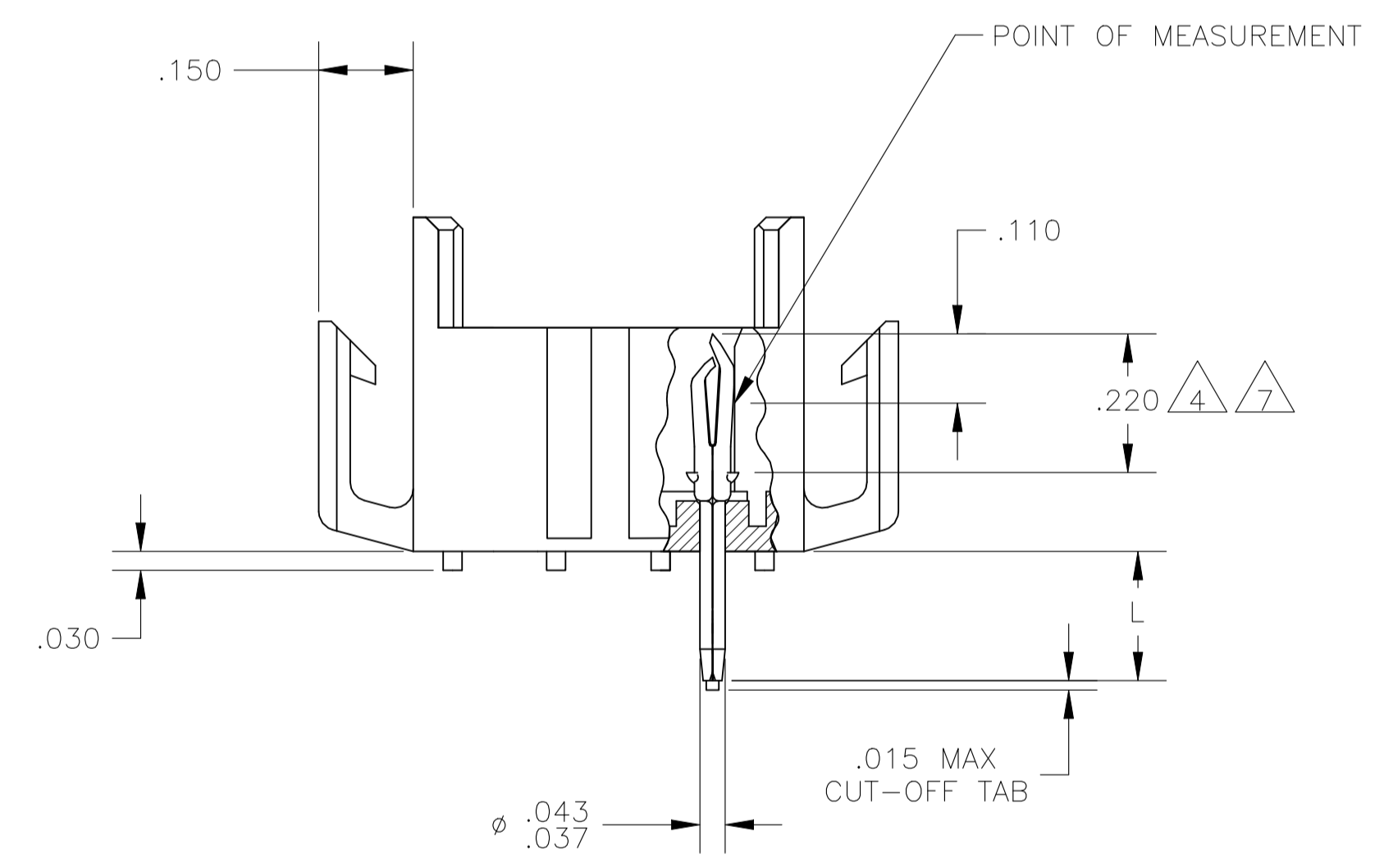
REVISIONS					
P	LTR	DESCRIPTION	DATE	DN	APVD
S		REVISED PER ECO-21-006875	19OCT2021	RK	MZ



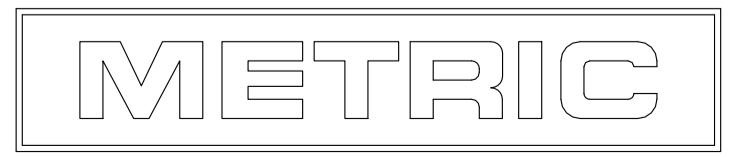
1. FITS SOCKET HOUSING 640521.
2. ASSEMBLY CONFORMS TO AMP SOLDERABILITY SPEC. 109-11-3.
3. FOR USE WITH .063 THICK P.C. BOARD.
4. CONTACT IS PLATED OVERALL WITH .000050 NICKEL, THEN .000030 GOLD OVER CONTACT LENGTH INDICATED AND .000150 MATTE TIN-LEAD ON SOLDER TAIL END.
5. UL AND CSA LOGO LOCATED ON THIS SURFACE.
6. FOR USE WITH .120 THICK P.C. BOARD.
7. CONTACT IS PLATED OVERALL WITH .000050 NICKEL, THEN .000030 GOLD OVER CONTACT LENGTH INDICATED AND .000150 MATTE TIN ON SOLDER TAIL END.
8. HOUSING MATERIAL: PA66, BLACK, UL 94 V-0 RATED
CONTACT MATERIAL: PHOSPHOR BRONZE



RECOMMENDED P.C. BOARD LAYOUT



IN	MM	IN	MM	IN	MM	IN	MM
.008	0.20	.037	0.94	.150	3.81	.620	15.75
.005	0.13	.030	0.76	.110	2.79	.530	13.46
.003	0.08	.020	0.51	.063	1.60	.220	5.59
.000050	0.00127	.015	0.38	.055	1.40	.210	5.33
.000030	0.00076	.010	0.25	.043	1.09	.165	4.19



.210	6	GOLD	7	2-640501-4
.150	3	GOLD	7	2-640501-2
.210	6	GOLD	4	640501-4
.210	6	PRE-TIN		640501-3
.150	3	GOLD	4	640501-2
.150	3	PRE-TIN		640501-1
"L"	+0.010 -.020	PIN FINISH		PART NUMBER

THIS DRAWING IS A CONTROLLED DOCUMENT.

DIMENSIONS:	TOLERANCES UNLESS OTHERWISE SPECIFIED:	DIN	J. HUFFMAN	28 APR 98
INCHES:		CHK	R. SWING	28 APR 98
		APVD	T. REDDICK	28 APR 98
		NAME	TE Connectivity	
		PRODUCT SPEC	HEADER ASSEMBLY, PIN, 9 POSITION MR.	
		APPLICATION SPEC		
		WEIGHT	A1 00779 C=640501	
		CUSTOMER DRAWING	SCALE 4:1	SHEET 1 of 1

Mouser Electronics

Authorized Distributor

Click to View Pricing, Inventory, Delivery & Lifecycle Information:

[TE Connectivity:](#)

[2-640501-4](#)