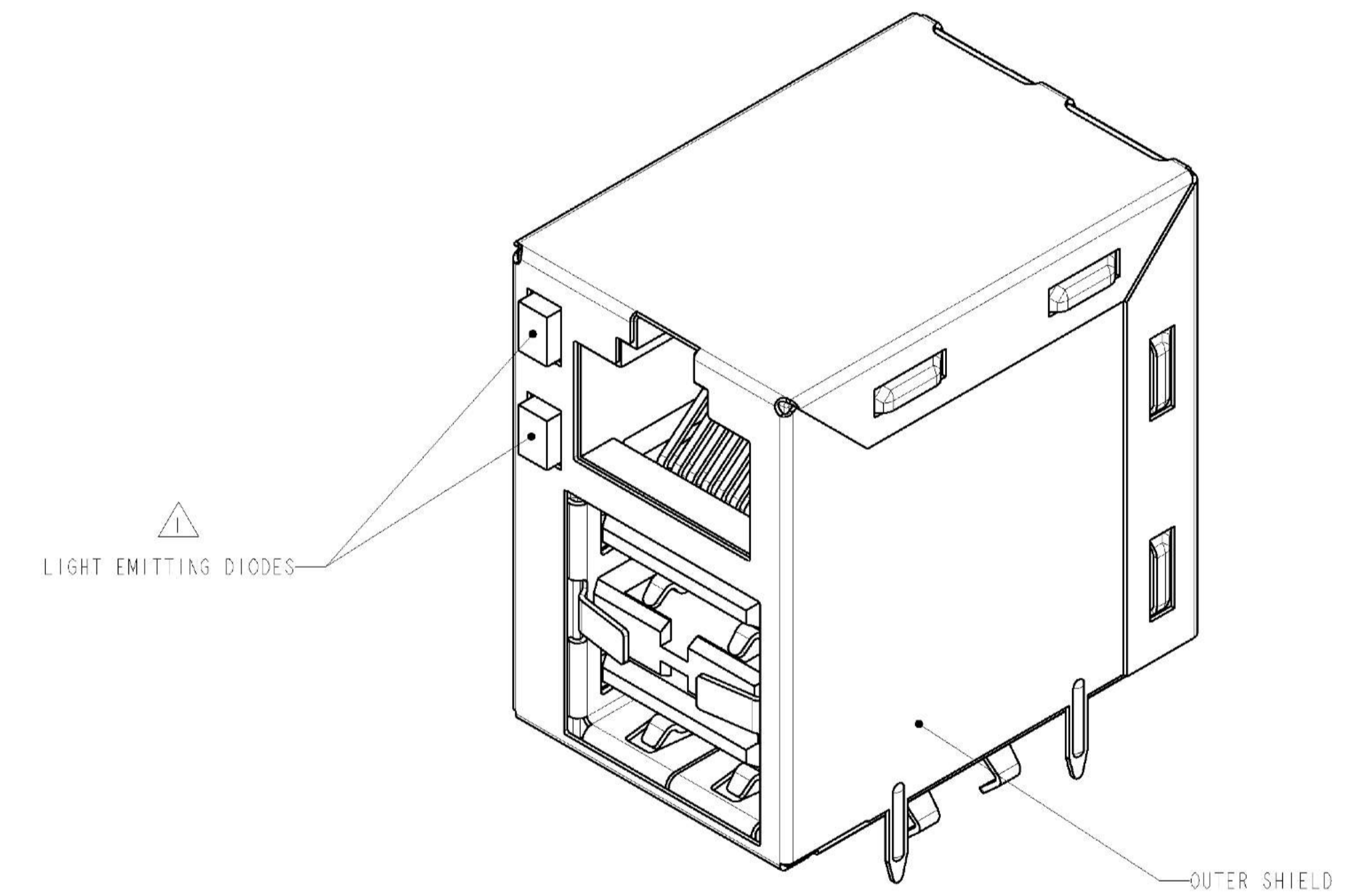
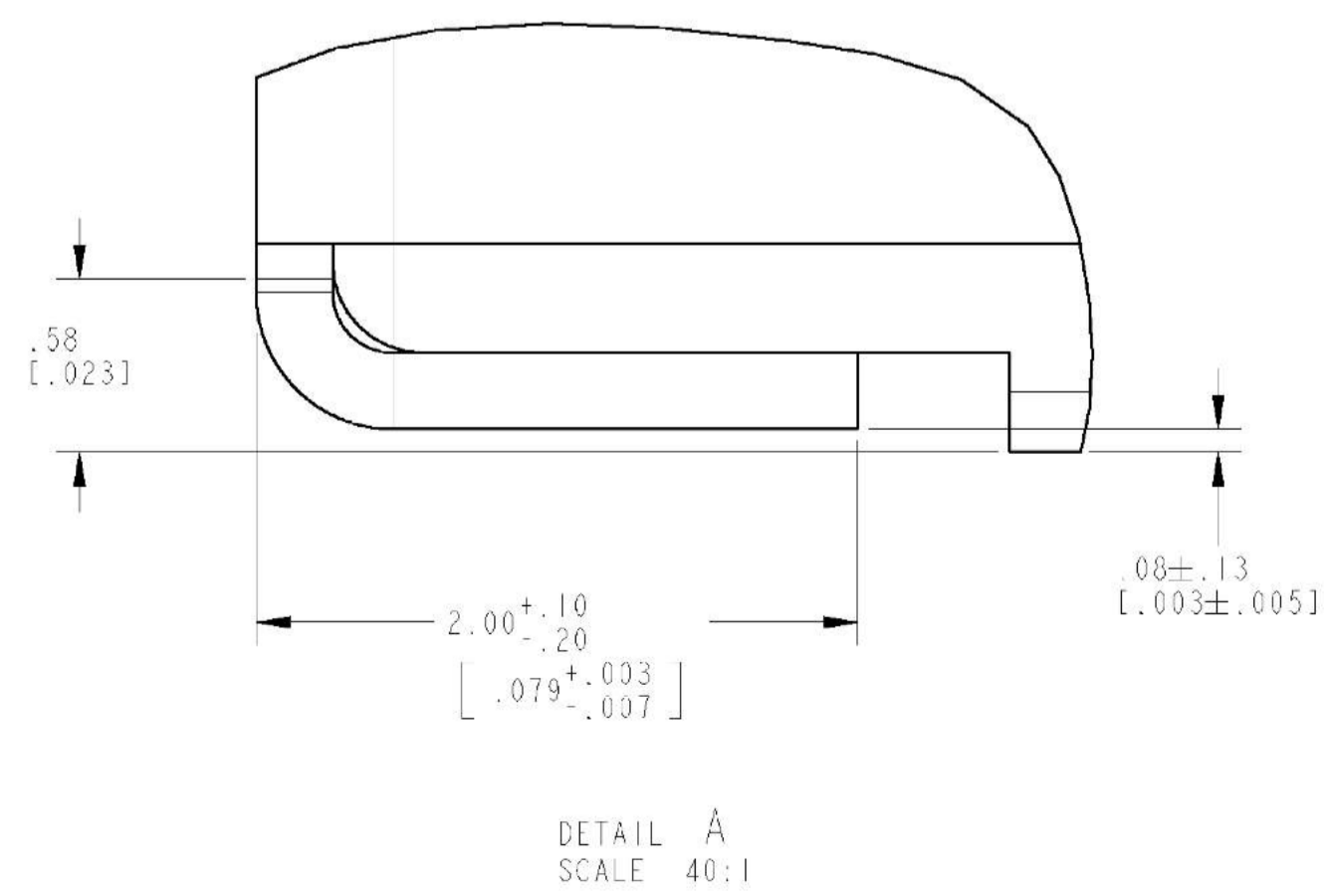
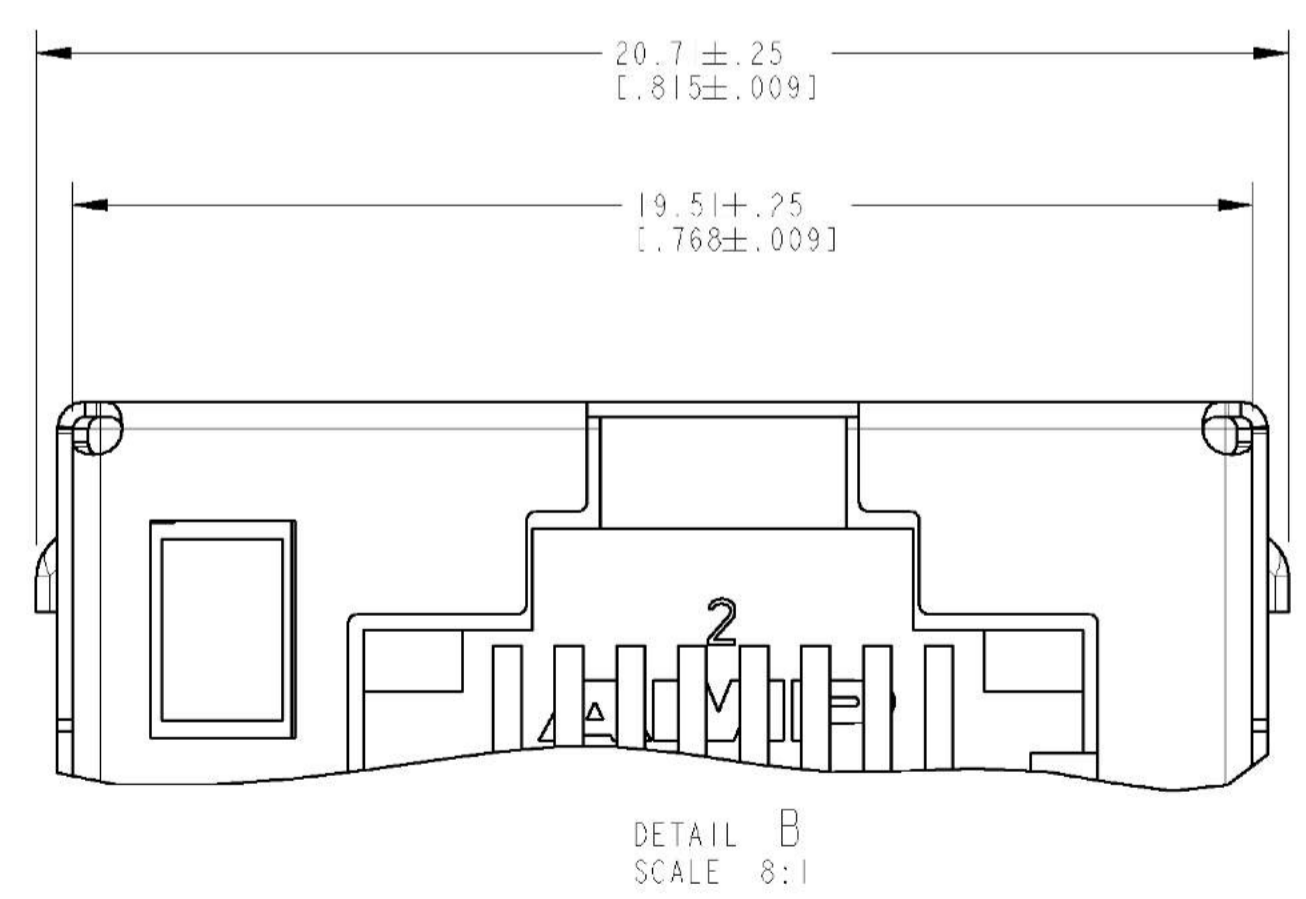
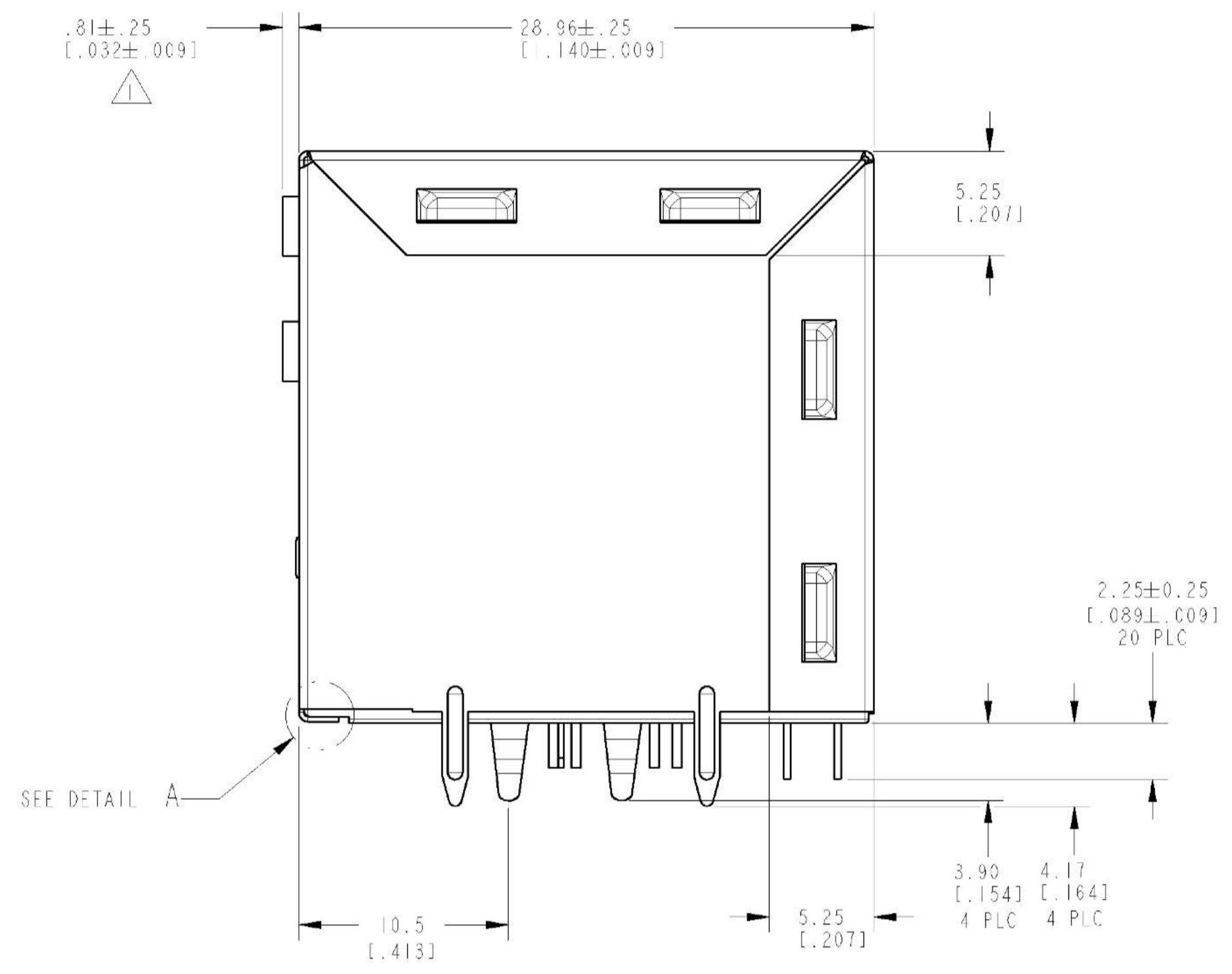
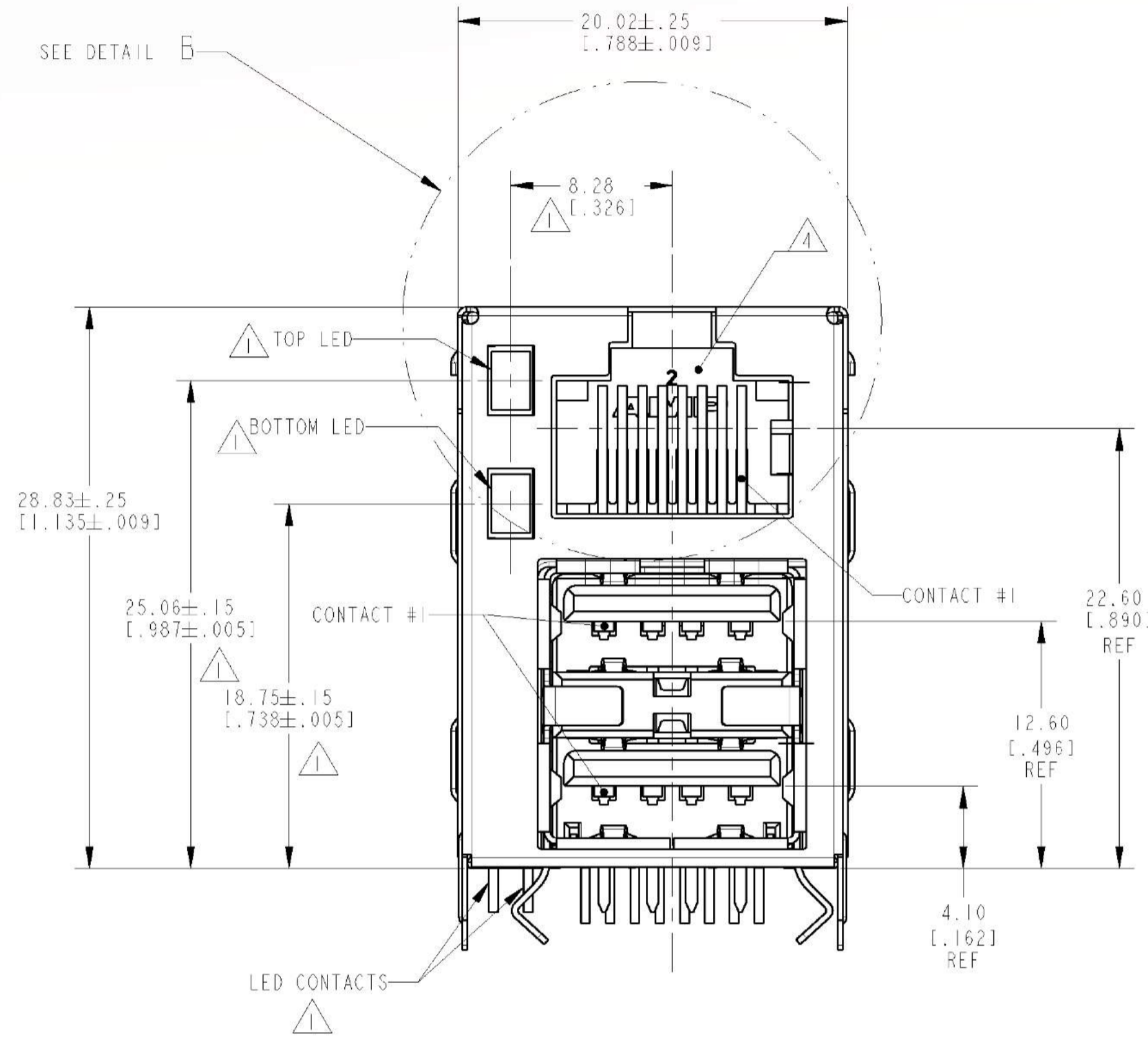


LOC	DATE	REV	DESCRIPTION	DATE	BY	CHK
AA	22					
B2			REVISED PER ECO-11-005033	20APR11	RK	HMR
B3			REVISED PER ECO-21-003828	25MAR21	AK	SZ
C			REVISED PER ECN-21-118743	23SEP21	AK	SZ

- 1 6116151-2 & 6116151-4 ONLY.
- 2 DATUM AND BASIC DIMENSION ESTABLISHED BY CUSTOMER.
- 3 RECOMMENDED PC BOARD THICKNESS OF 1.57[.062].
- 4 RJ45 JACK CAVITY CONFORMS TO FCC RULES AND REGULATIONS, PART 68 SUBPART F.
- 5 MATERIAL:
  - HOUSING: PLASTIC HOUSINGS: UL94V-0/5V THERMOPLASTIC, SEE TABLE FOR COLOR.
  - TERMINAL: USB: 0.251±0.03 THICK PHOSPHOR BRONZE PLATED WITH 1.27µm NICKEL. IN LOCALIZED GOLD PLATE AREA 0.076µm M/N GOLD OVER 0.76µm MIN PALLADIUM-NICKEL IS ADDED OVER NICKEL UNDERPLATE. IN SOLDER AREA 3.8µm MIN TIN IS ADDED OVER NICKEL UNDERPLATE.
  - RJ45: 0.318 THICK PHOSPHOR BRONZE PLATED WITH 1.27µm MIN THICK NICKEL. IN LOCALIZED GOLD PLATE AREA 1.27µm MIN THICK GOLD IS ADDED OVER NICKEL UNDERPLATE. IN SOLDER AREA 3.8µm MIN TIN IS ADDED OVER NICKEL UNDERPLATE.
  - LED: 0.5 DIAMETER CARBON STEEL LEADS PREPLATED WITH 8.89 µm THICK Sn/Cu, OVER 2.03 µm THICK Ag, OVER 1.02 µm THICK Cu, OVER 3.56 µm THICK Ni, OVER 1.02 µm Cu UNDERPLATE
  - SHIELD: OUTER: 0.254 THICK COPPER-ZINC ALLOY PREPLATED WITH TIN 2µm TO 3.8µm THICK.
  - INNER: 0.318 THICK COPPER-ZINC ALLOY PREPLATED WITH TIN 2µm TO 3.8µm THICK.
  - USB: 0.318 THICK PHOSPHOR-BRONZE PREPLATED WITH 5.1µm MIN TIN
- 6 OBSOLETE PARTS: OBSOLETE CIS STREAMLINING PER D.RENAUD/D.SINISI

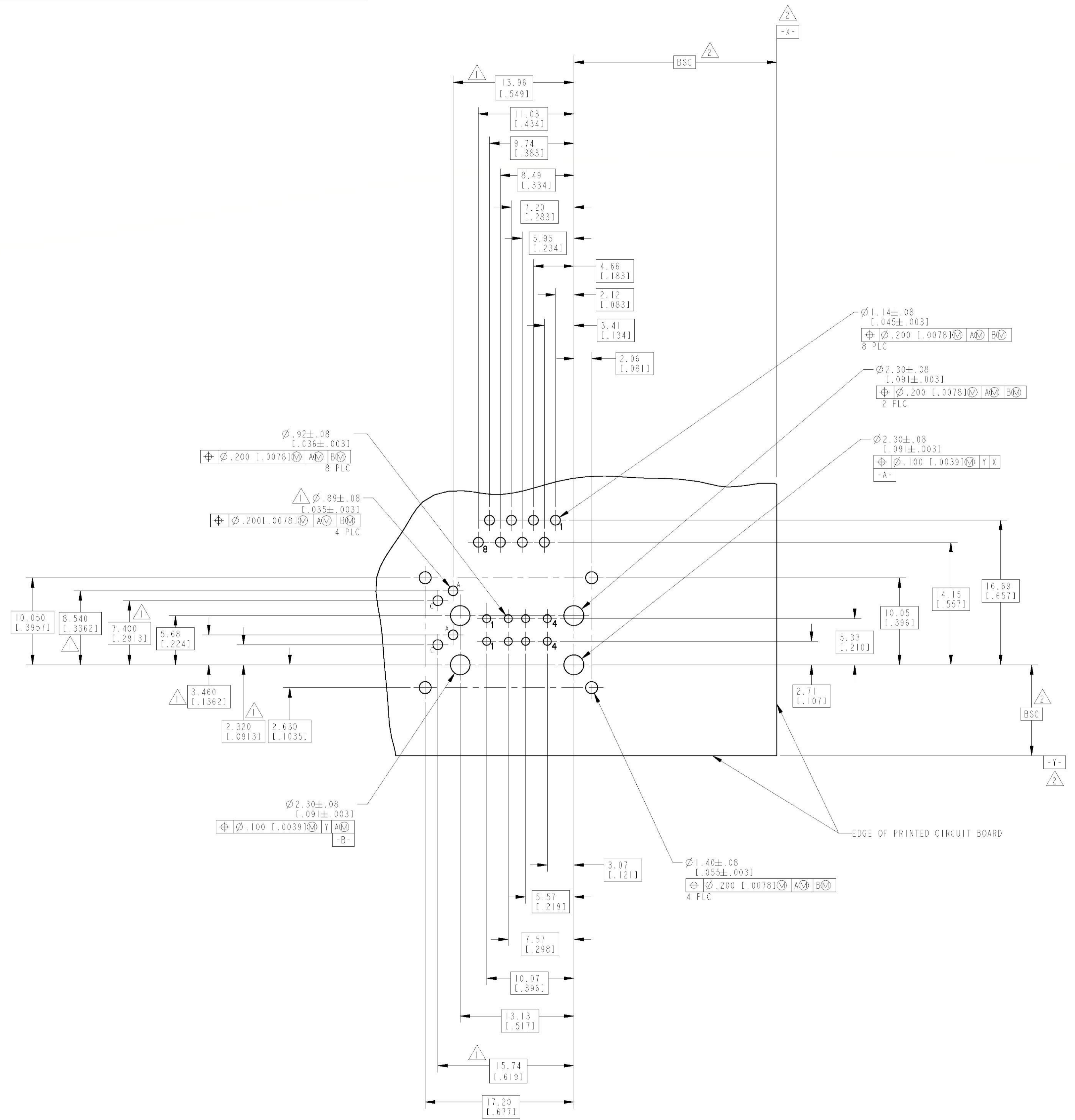


P/N 6116151-2 & 6116151-4 WITH LEDS

OBVIOUS	GREEN	GREEN	BLACK	6116151-4
OBVIOUS	NO LED	NO LED	TURQUOISE	6116151-3
OBVIOUS	YELLOW	GREEN	BLACK	6116151-2
	NO LED	NO LED	BLACK	6116151-1
	BOTTOM LED	TOP LED	HOUSING COLOR	PART NUMBER

DIMENSIONS: mm [INCHES]	TOLERANCES UNLESS OTHERWISE SPECIFIED:	DATE: 4APR2005	BY: H.Z.L.A. MATHER
9 PLC =	1 PLC =	CHK: J. WESTMAN	4APR2005
5 PLC = ±0.13(.005)	2 PLC =	APVD: S. CLICKINGER	4APR2005
4 PLC =	3 PLC =	PRODUCT SPEC:	
ANGLES:	FINISH:	APPLICATION SPEC:	
MATERIAL: SEE NOTE 5	SEE NOTE 5	WEIGHT:	
CUSTOMER DRAWING		SIZE: A	CARE CODE: 00779
		DRAWING NO: C=6116151	RESTRICTED TO: -
		SCALE: 4:1	SHEET: 1 OF 2
		REV: C	



DIMENSIONS: mm [INCHES]		TOLERANCES UNLESS OTHERWISE SPECIFIED: 9 PLC = 1 PLC = 5 PLC = ±0.13(.005) 3 PLC = 4 PLC = ANGLES = ±1° FINISH =		DWG: E. HZL.A.MAYER 4APR2005 CHK: J.WESTMAN 4APR2005 APVD: S. CLICKINGER 4APR2005 PRODUCT SPEC: APPLICATION SPEC: WEIGHT: CUSTOMER DRAWING		<b>STE</b> TE Connectivity NAME: ASSEMBLY, RJ-45 MODULAR JACK OVER STACKED USB RECEPTACLE, WITH LEDS AND WITHOUT LEDS SIZE: A   00779   C=6116151 SCALE: 4:1   SHEET: 2 OF 2   REV: C	
----------------------------	--	---	--	--	--	--	--

# Mouser Electronics

Authorized Distributor

Click to View Pricing, Inventory, Delivery & Lifecycle Information:

[TE Connectivity:](#)

[6116151-2](#)