

THIS DRAWING IS UNPUBLISHED. RELEASED FOR PUBLICATION  
 © COPYRIGHT - By - ALL RIGHTS RESERVED.

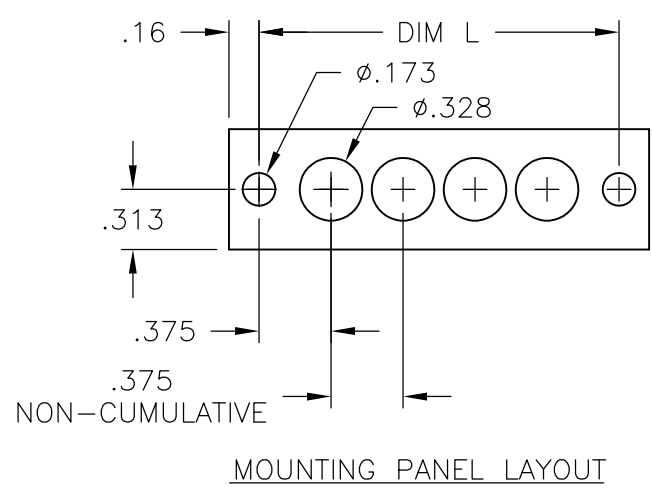
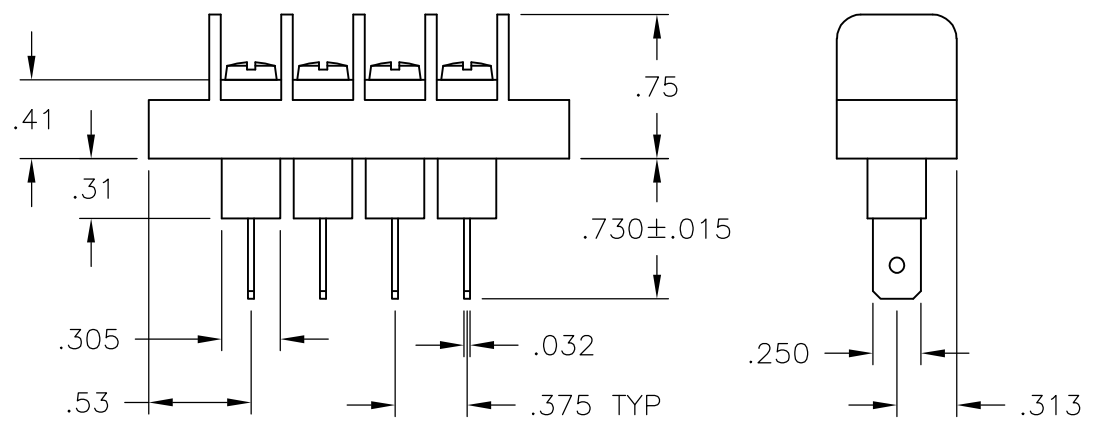
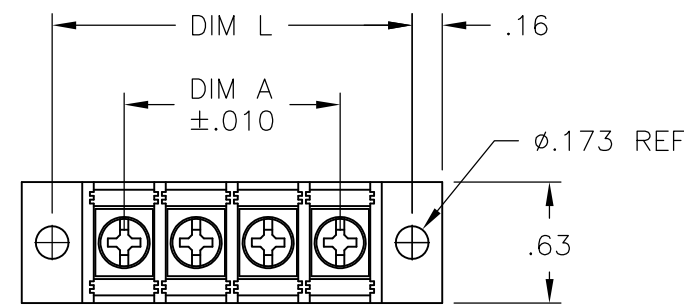
LOC	DIST	REVISIONS					
FT	0	P	LTR	DESCRIPTION	DATE	DWN	APVD
			G4	REVISED PER ECO-11-004917	11MAR11	RK	HMR

**MATERIAL:**  
 HOUSING: THERMOPLASTIC, UL94V-0, BLACK.  
 TERMINALS: BRIGHT TIN OVER COPPER ALLOY.  
 SCREWS: #6-32 STEEL, ZINC PLATING W/ CLEAR CHROMATE.(UNLESS OTHERWISE STATED.)  
 PITCH (TERMINAL SPACING): .375"

**ELECTRICAL:**  
 RATED CURRENT UL/CSA:  
 CLASS C: 20A, 300V  
 CLASS D: 5A, 600V  
 WIRE RANGE: 12-22 AWG

**MECHANICAL:**  
 RECOMMENDED TORQUE: 7 IN-LB  
 OPERATING TEMP.: 105°C MAX

- ① SCREWS ARE STAINLESS STEEL.
- ② SEE FIGURE.
- ③ SCREWS ARE NICKEL PLATED BRASS.
- ④ OBSOLETE PARTS: OBSOLETE CIS STREAMLINING PER D.RENAUD/D.SINISI

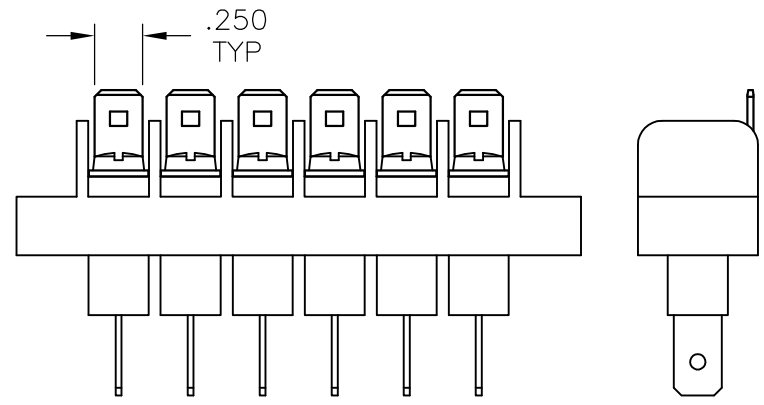


	DIM. L	DIM. A	NO. OF POS.	CATALOG NUMBER	PART NO.
	9.000	8.250	23	JC6-Q307-23	1546700-9
①	8.625	7.875	22	JC6-Q307-22-226	1776007-8
	8.625	7.875	22	JC6-Q307-22	1546700-8
	8.250	7.500	21	JC6-Q307-21	1546700-7
	7.875	7.125	20	JC6-Q307-20	1546700-6
	7.500	6.750	19	JC6-Q307-19	1546700-5
①	7.125	6.375	18	JC6-Q307-18-225	1776007-7
	7.125	6.375	18	JC6-Q307-18	2-796985-1
	6.750	6.000	17	JC6-Q307-17	1546700-4
①④ OBSOLETE	6.375	5.625	16	JC6-Q307-16-197	1776007-4
	6.375	5.625	16	JC6-Q307-16	6-1437666-1
	6.000	5.250	15	JC6-Q307-15	6-1437665-1
①④ OBSOLETE	5.625	4.875	14	JC6-Q307-14-195	1776007-2
	5.625	4.875	14	JC6-Q307-14	1546700-3
	5.250	4.500	13	JC6-Q307-13	1546700-2
	4.875	4.125	12	JC6-Q305-12	4-796985-0
	4.875	4.125	12	JC6-Q307-12	6-1437665-0
	4.500	3.750	11	JC6-Q307-11	1546700-1
	4.125	3.375	10	JC6-Q307-10	5-1437665-9
	3.750	3.000	9	JC6-Q307-09	5-1437665-8
①④ OBSOLETE	3.375	2.625	8	JC6-Q307-08-196	1776007-3
	3.375	2.625	8	JC6-Q307-08	5-1437665-7
	3.000	2.250	7	JC6-Q307-07	5-1437665-6
	2.625	1.875	6	JC6-Q307-06-269	1-1776007-0
②④ OBSOLETE	2.625	1.875	6	JC6-Q307-06-206	1776007-6
	2.625	1.875	6	JC6-Q307-06-203	1776007-5
	2.625	1.875	6	JC6-Q307-06	5-1437665-5
①④ OBSOLETE	2.250	1.500	5	JC6-Q307-05-194	1776007-4
	2.250	1.500	5	JC6-Q307-05	5-1437665-4
③	1.875	1.125	4	JC6-Q305-04	1776007-9
	1.875	1.125	4	JC6-Q307-04	5-1437665-3
	1.500	.750	3	JC6-Q307-03	5-1437665-2
	1.125	.375	2	JC6-Q307-02	5-1437665-1

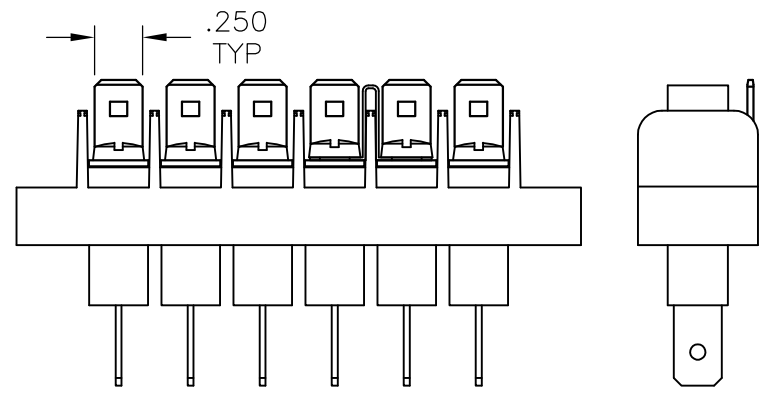
THIS DRAWING IS A CONTROLLED DOCUMENT.		DWN S SCHLEGEL 5/27/03	<b>STE</b> TE Connectivity			
DIMENSIONS: INCHES		CHK S YODER 5/27/03				
TOLERANCES UNLESS OTHERWISE SPECIFIED:		APVD S YODER 5/27/03	NAME			
0 PLC ± -		PRODUCT SPEC	JC6-Q307-XX ASSEMBLY			
1 PLC ± -		APPLICATION SPEC				
2 PLC ± .01		WEIGHT -	SIZE A3	CAGE CODE 00779	DRAWING NO C-5-1437665-1	RESTRICTED TO -
3 PLC ± .005		CUSTOMER DRAWING				
4 PLC ± -		SCALE NTS		SHEET 1 OF 2		
ANGLES ± -		REV G4				
FINISH -						

THIS DRAWING IS UNPUBLISHED. RELEASED FOR PUBLICATION  
 © COPYRIGHT - By - ALL RIGHTS RESERVED.

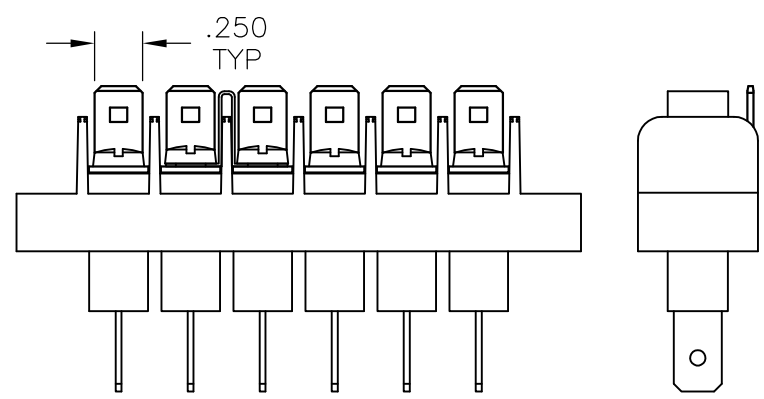
LOC	DIST	REVISIONS				
P	LTR	DESCRIPTION	DATE	DWN	APVD	
FT	0	-	SEE SHEET 1	-	-	




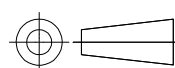
~~1776007-5~~  $\Delta$ 4 OBSOLETE



~~1776007-6~~  $\Delta$ 4 OBSOLETE



1-1776007-0

THIS DRAWING IS A CONTROLLED DOCUMENT.		DWN	S SCHLEGEL	5/27/03	 TE Connectivity					
DIMENSIONS: INCHES		CHK	S YODER	5/27/03				NAME JC6-Q307-XX ASSEMBLY		
		APVD	S YODER	5/27/03						
TOLERANCES UNLESS OTHERWISE SPECIFIED:		PRODUCT SPEC			RESTRICTED TO					
0 PLC ± -		APPLICATION SPEC			SIZE	CAGE CODE	DRAWING NO			
1 PLC ± -		-			A3 00779 C-5-1437665-1					
2 PLC ± .01		-			SCALE					
3 PLC ± .005		WEIGHT			NTS					
4 PLC ± -		-			SHEET					
ANGLES ± -		CUSTOMER DRAWING			2 OF 2					
FINISH		-			REV					
-		-			G4					

# Mouser Electronics

Authorized Distributor

Click to View Pricing, Inventory, Delivery & Lifecycle Information:

[TE Connectivity:](#)

[1546700-7](#)