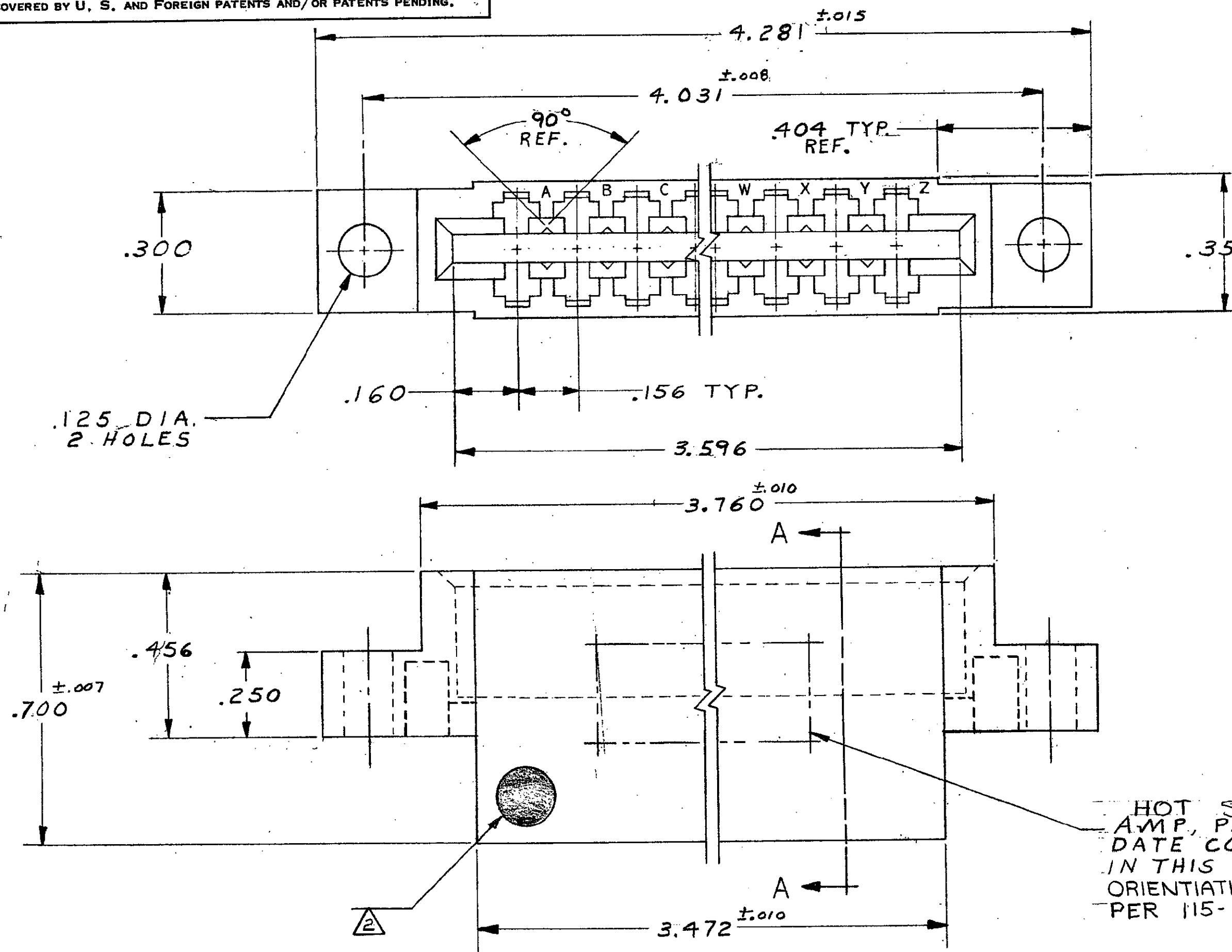
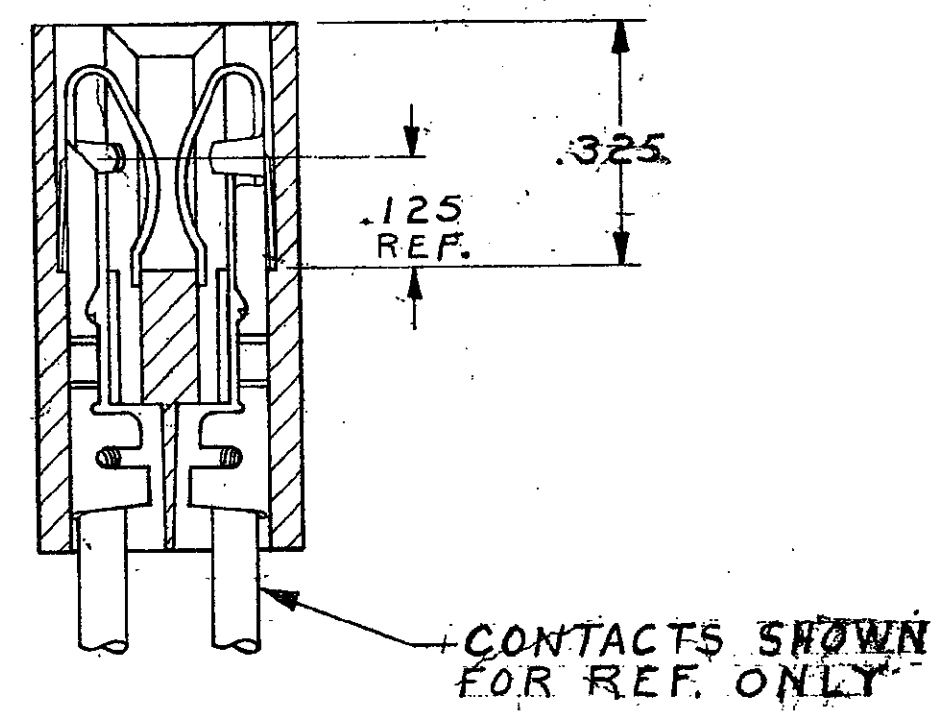


© COPYRIGHT 1970 BY AMP INCORPORATED, HARRISBURG, PA.  
 ALL INTERNATIONAL RIGHTS RESERVED. AMP INCORPORATED PRODUCTS  
 COVERED BY U. S. AND FOREIGN PATENTS AND/OR PATENTS PENDING.

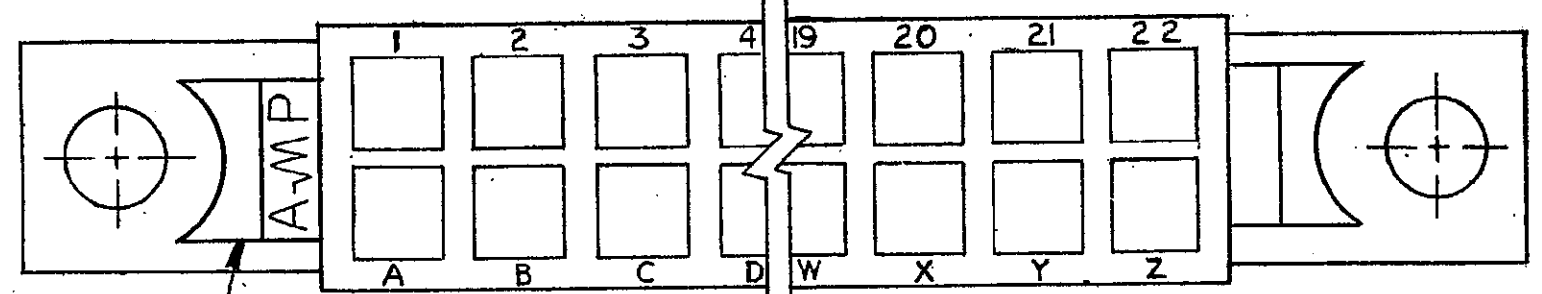
REVISIONS						
P	F	ZONE	LTR	DESCRIPTION	DATE	APPROVED
			F	REV PER 0010-0337-95	10-17-95	P.B./
			G	REV PER EC 0320-349-97	25 MAR 97	NJS
			H	REVISED PER ECO-20-006229		KR/JS 21MAY2020



- 583617-1 I. AS SHOWN
- 583617-3 I. SAME AS -1 EXCEPT: .156 DIA. MTG. HOLES.
- 583617-6 I. SAME AS -1 EXCEPT: WITH SPECIAL MARKING
- OBSOLETE 583617-7 I. SAME AS -3 EXCEPT: .180 DIA. MTG. HOLES.



SECT. A-A



- 1. .055-.070 P.C. BOARD THICKNESS.
- 2. .250 ±.015 DIA. WHITE DOT INK STAMPED IN LOWER LEFT HAND CORNER ON EITHER SIDE OF HOUSING.
- 3. VOID CORING PERMISSIBLE AT AMP'S OPTION REF ONLY

UNLESS OTHERWISE SPECIFIED DIMENSIONS ARE IN INCHES. TOLERANCES ON: DECIMALS ±.005 ANGLES ±1°		CONTRACT NO 11-26-80		PART NO	
MATERIAL GLASS FILLED NYLON OR POLYESTER COLOR: BLACK		DR <i>A.M. SHARPE</i>		NAME HOUSING, AMP LEAF, 22 POS DUAL	
FINISH		CHK <i>D. Bushey</i> 12-2-80		SIZE CODE IDENT NO DRAWING NO	
		APPD <i>S. Shym</i> 12-2-80		C 00779 583617	
		APPD <i>S. Rueda</i> 12-2-80		REV H	
		DSGN APPD		SCALE 4:1	
		OTHER APPD		SHEET 1 OF 1	



# Mouser Electronics

Authorized Distributor

Click to View Pricing, Inventory, Delivery & Lifecycle Information:

[TE Connectivity:](#)

[583617-3](#)