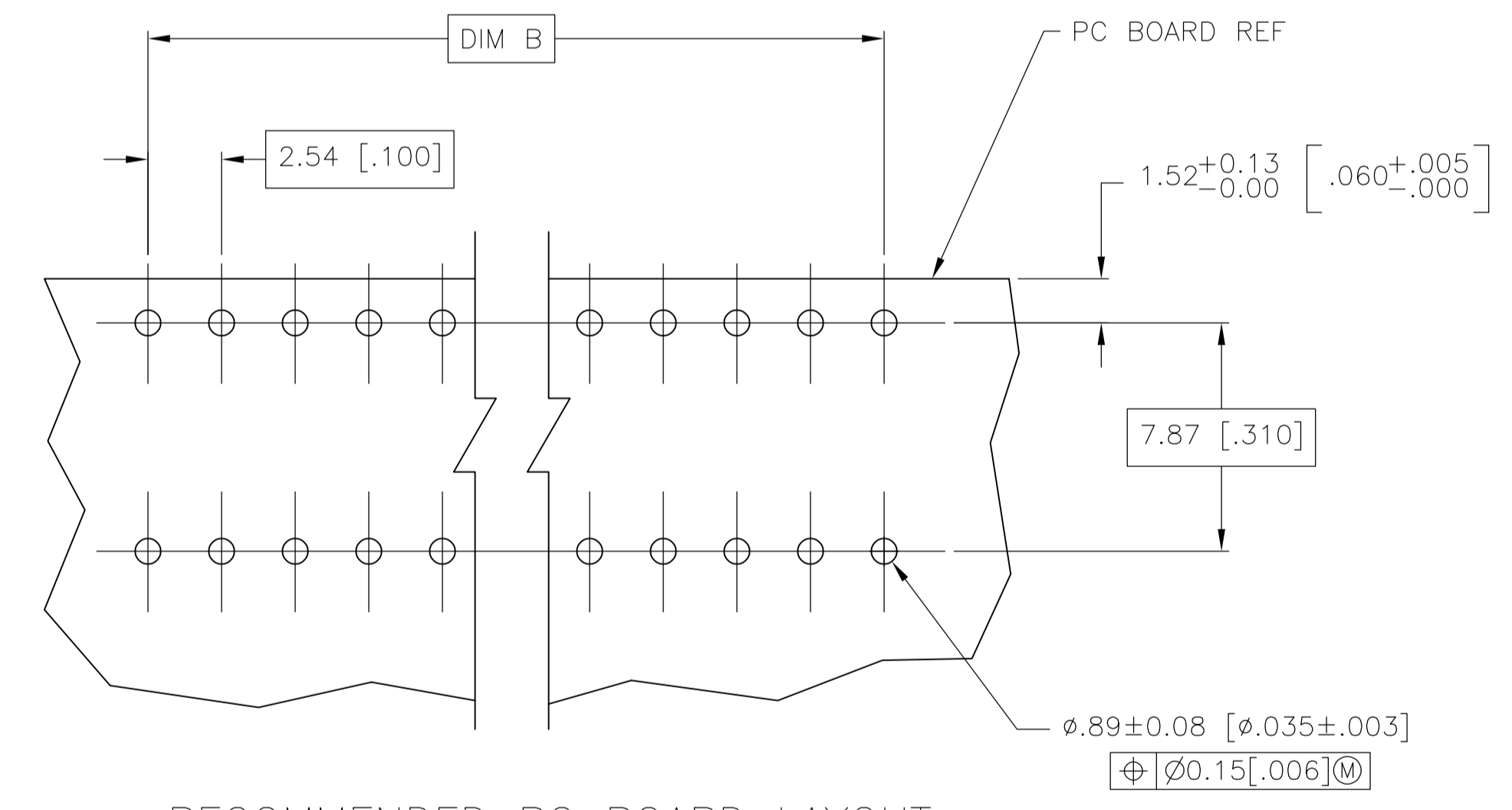
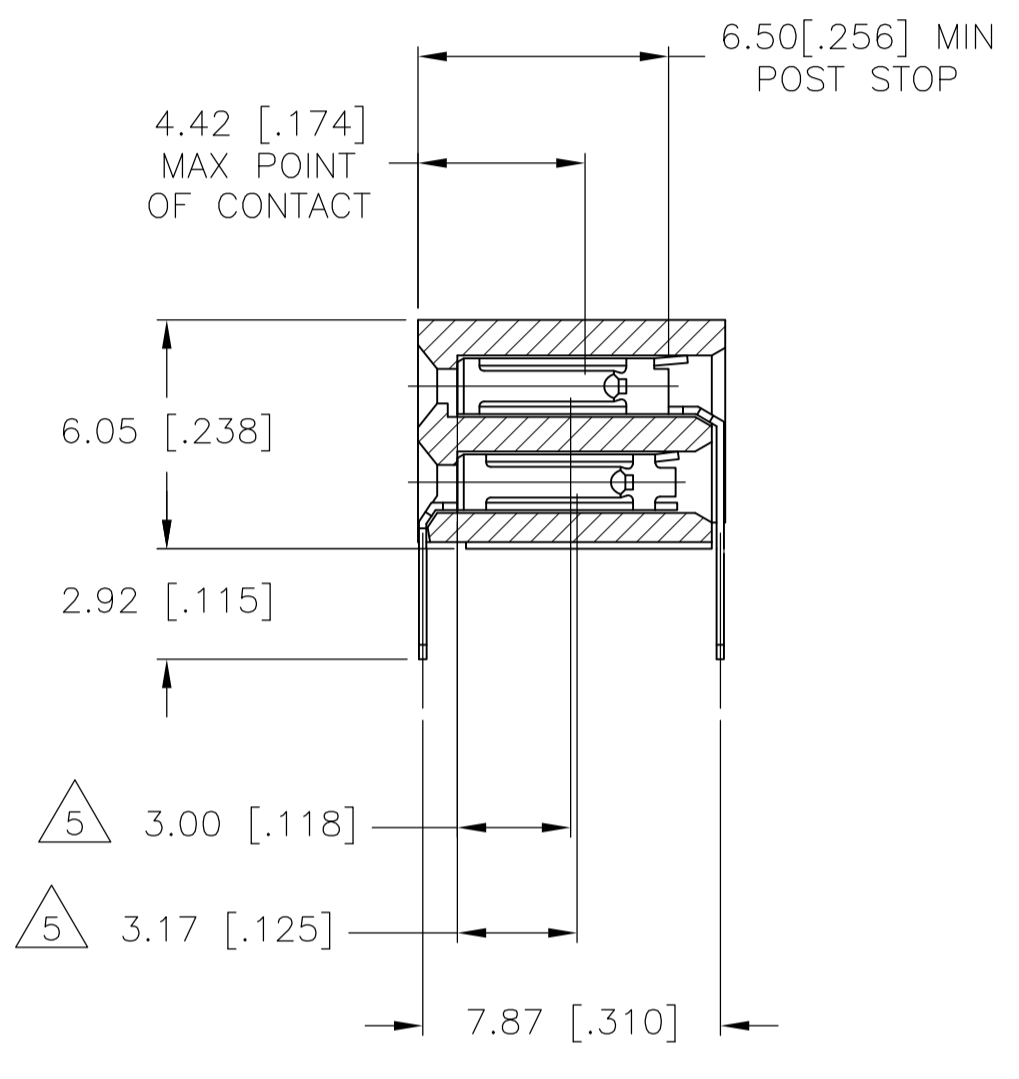
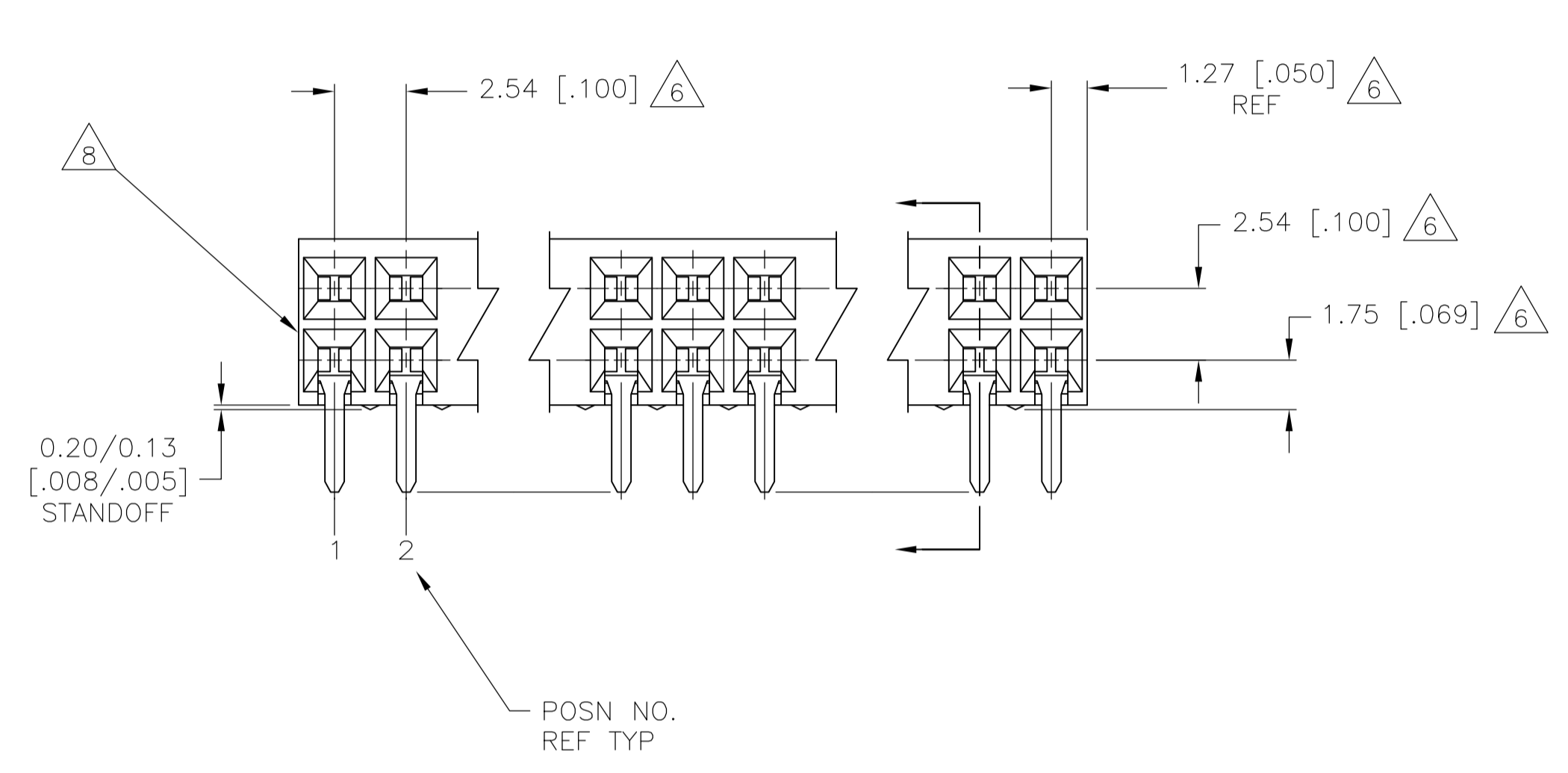
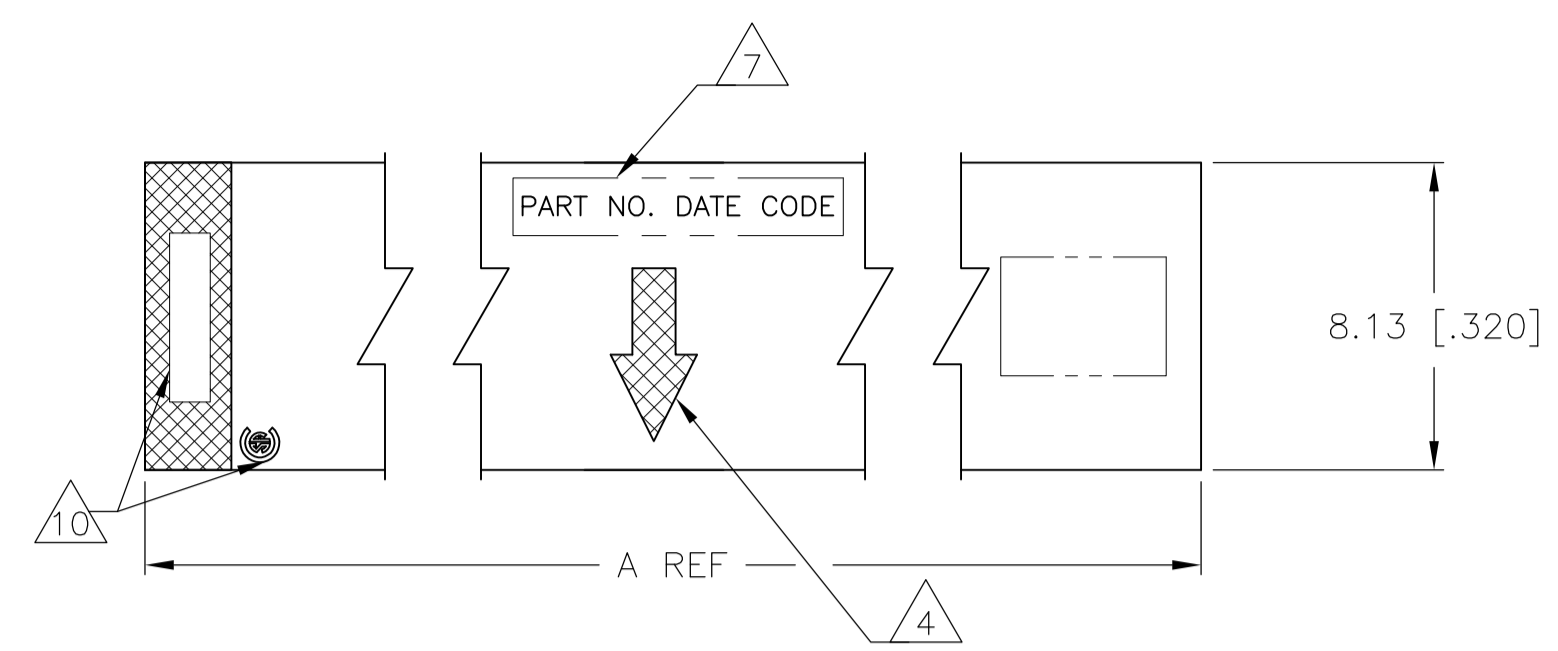


REVISONS		DATE	BY	APPV
AD	00	02APR13	KH	JO



RECOMMENDED PC BOARD LAYOUT

- 1 HOUSING MATERIAL: GLASS FILLED POLYESTER, COLOR- BLACK
- 2 CONTACT MATERIAL: PHOSPHOR BRONZE
- 3 CONTACT FINISH: 0.00076[.000030] THK DUPLEX PLATED GOLD ON CONTACT AREA, 0.00127[.000050] MIN THK BRIGHT TIN-LEAD ON SOLDERLEADS, ALL OVER 0.00127[.000050] NICKEL
- 4 MOLDED IN ARROW DESIGNATES THE MATING FACE OF THE CONNECTOR
- 5 POINT OF MEASUREMENT FOR PLATING THICKNESS OF CONTACT AREA
- 6 DIMENSIONS PERTAIN TO HOUSING CAVITY CENTERLINES
- 7 PART NUMBER AND DATE CODE MARKED IN APPROXIMATE LOCATION SHOWN,EITHER END.
- 8 ALTERNATE LOCATION FOR DATE CODE FOR 4 AND 6 POSITION.
- 10 TE LOGO AND CSA LOGO ARE MOLDED INTO HOUSING, THIS LOCATION.

NO.	DESCRIPTION	DATE	BY	APPV
10				
7.62 [.300]				
5.08 [.200]				
2.54 [.100]				
162.56 [6.400]				
160.02 [6.300]				
157.48 [6.200]				
152.40 [6.000]				
149.86 [5.900]				
147.32 [5.800]				
144.78 [5.700]				
142.24 [5.600]				
139.70 [5.500]				
137.16 [5.400]				
134.62 [5.300]				
132.08 [5.200]				
129.54 [5.100]				
127.00 [5.000]				
124.46 [4.900]				
121.92 [4.800]				
119.38 [4.700]				
116.84 [4.600]				
114.30 [4.500]				
111.76 [4.400]				
109.22 [4.300]				
106.68 [4.200]				
104.14 [4.100]				
101.60 [4.000]				
99.06 [3.900]				
96.52 [3.800]				
93.98 [3.700]				
91.44 [3.600]				
88.90 [3.500]				
86.36 [3.400]				
83.82 [3.300]				
81.28 [3.200]				
78.74 [3.100]				
76.20 [3.000]				
73.66 [2.900]				
71.12 [2.800]				
68.58 [2.700]				
66.04 [2.600]				
63.50 [2.500]				
60.96 [2.400]				
58.42 [2.300]				
55.88 [2.200]				
53.34 [2.100]				
50.80 [2.000]				
48.26 [1.900]				
45.72 [1.800]				
43.18 [1.700]				
40.64 [1.600]				
38.10 [1.500]				
35.56 [1.400]				
33.02 [1.300]				
30.48 [1.200]				
27.94 [1.100]				
25.40 [1.000]				
22.86 [.900]				
20.32 [.800]				
17.78 [.700]				
15.24 [.600]				
12.70 [.500]				

THIS DRAWING IS A CONTROLLED DOCUMENT.

DIN R BROWN 17MAY02
 CHK J OLSON 17MAY02
 APVD J OLSON 17MAY02

TE Connectivity

AMPMODU MOD II RECEPTACLE ASSEMBLY, HORIZONTAL, .100 CL, 2 ROW, CLOSED-ENTRY, SHORT POINT OF CONTACT, END-TO-END STACKABLE

SIZE: A1 CAGE CODE: 00779 DRAWING NO: 535512
 WEIGHT: ---

CUSTOMER DRAWING SCALE: 5:1 SHEET 1 OF 1 REV: Y6

Mouser Electronics

Authorized Distributor

Click to View Pricing, Inventory, Delivery & Lifecycle Information:

[TE Connectivity:](#)

[3-535512-3](#)