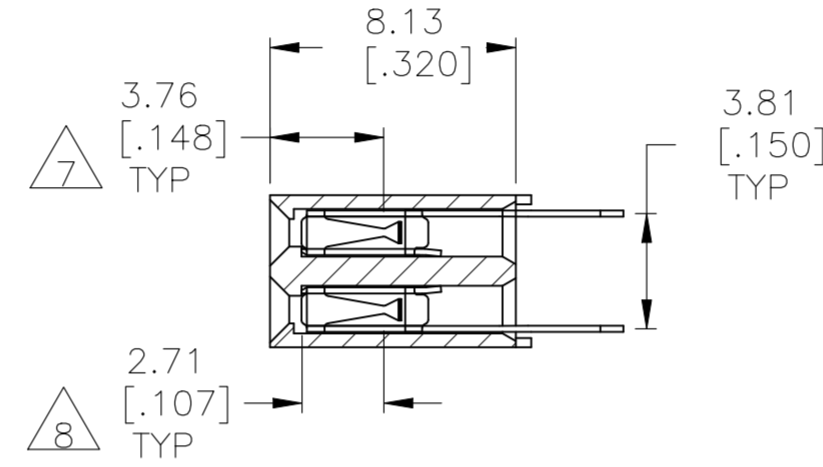
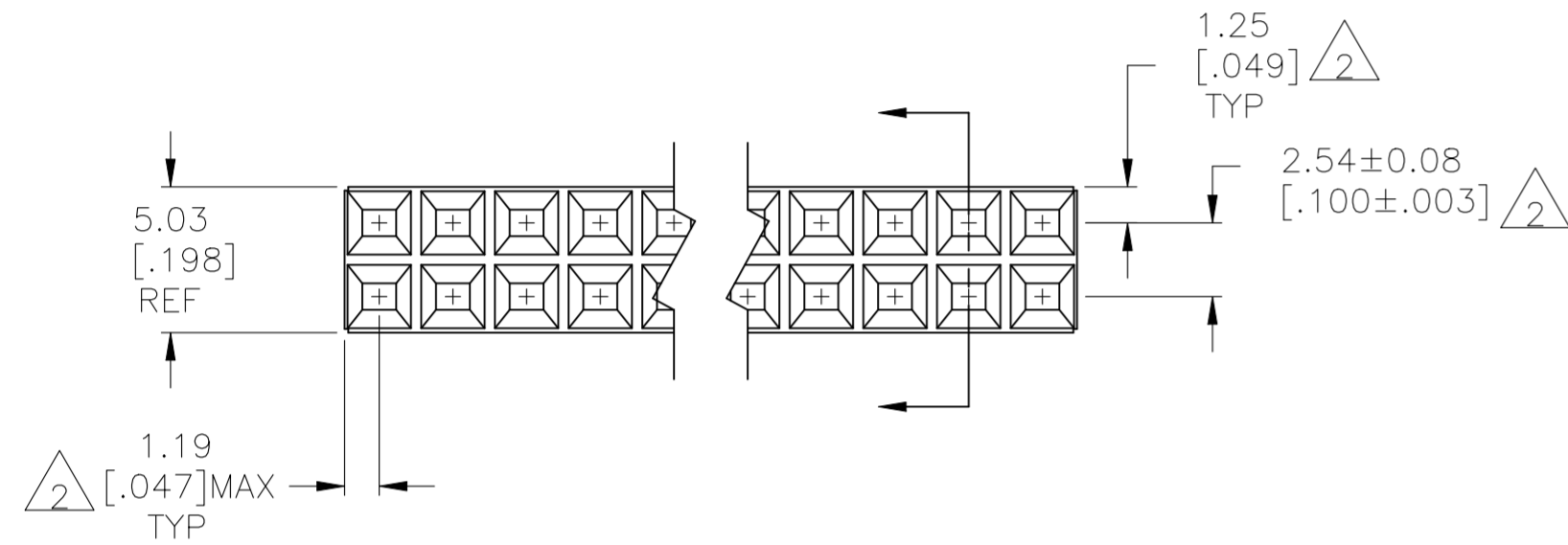
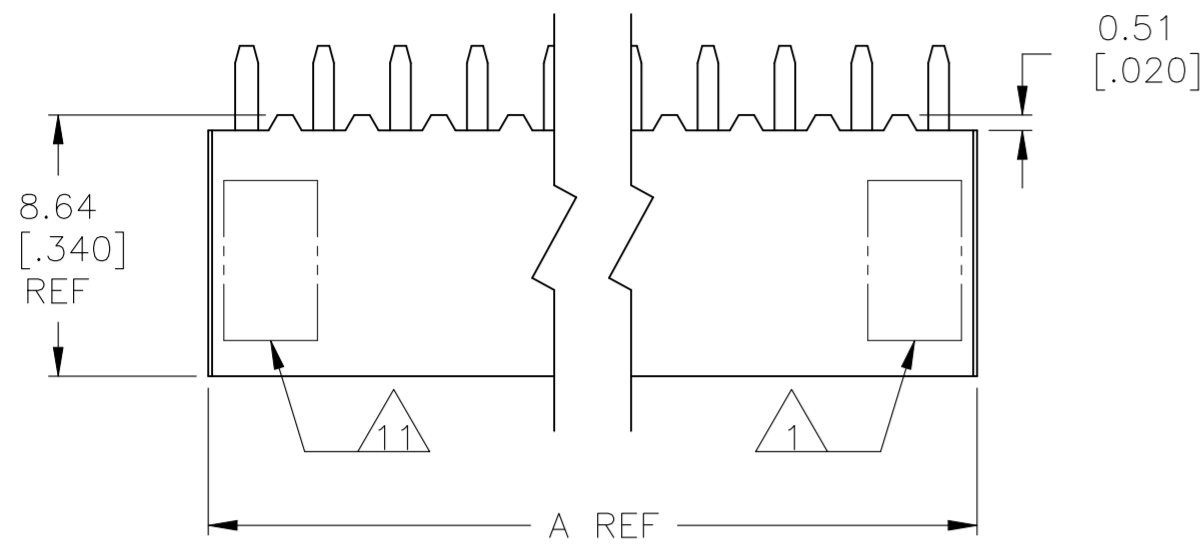
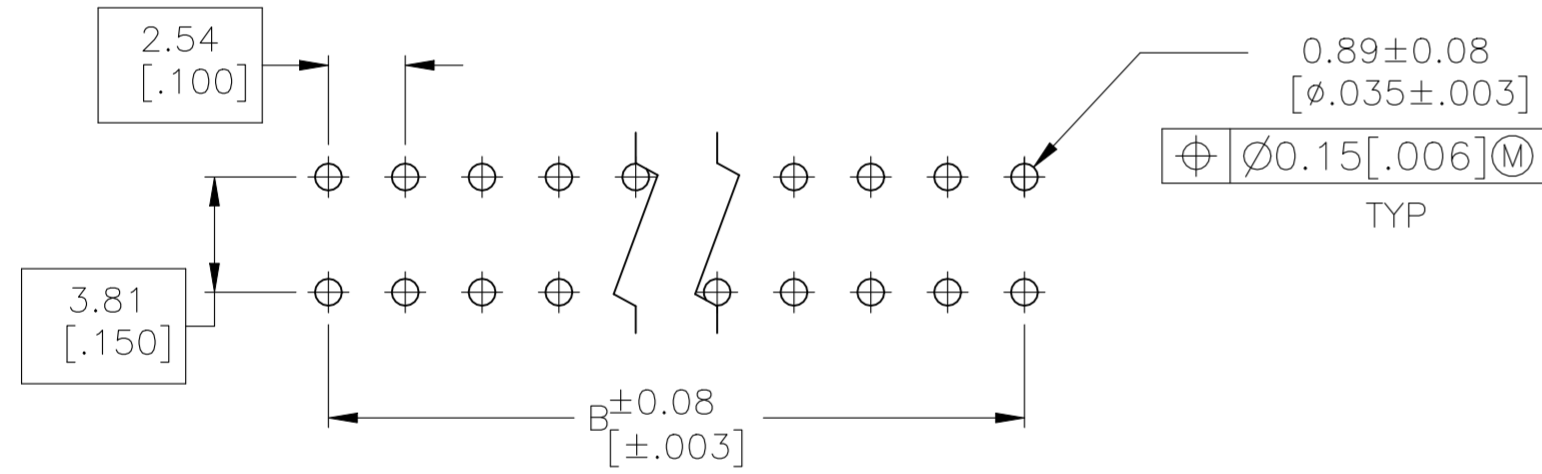


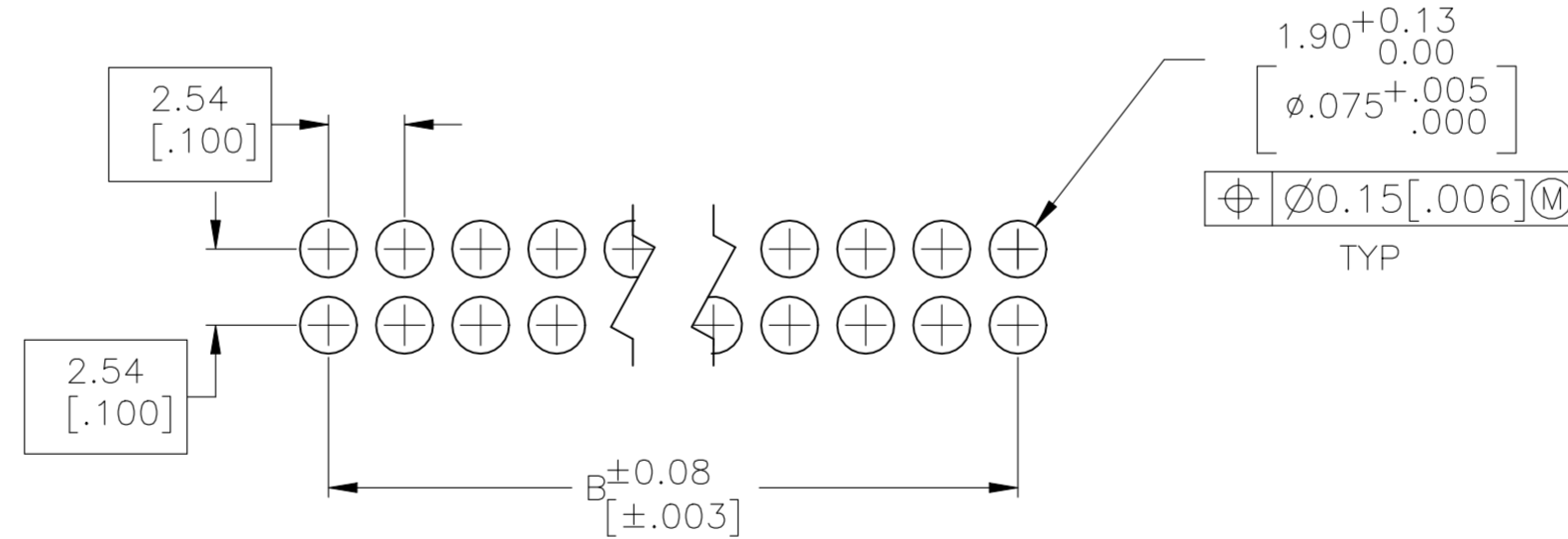
REVISIONS				
P	LTR	DESCRIPTION	DATE	DWN APVD
W		RESIN SUPPLIER CHANGE FOR THE HOUSING	03DEC2021	SCB KJK



- 1 TE CONNECTIVITY LOGO AND CSA LOGO ARE MOLDED INTO THE HOUSING.
- 2 TOLERANCE NON-CUMULATIVE.
- 3 DUPLEX PLATED: 0.00076 (.000030) GOLD IN CONTACT AREA, .00381-.00762 (.000150-.000300) BRIGHT TIN-LEAD ON LEADS, ALL OVER 0.00127 (.000050) MIN NICKEL.
- 4 THESE DIMENSIONS PERTAIN TO CAVITY C/L'S ONLY, NOT TO CONTACT LOCATIONS.
- 5 NO PART NUMBER MARKING REQUIRED ON THIS PART NUMBER.
- 6 HOUSING: FLAME RETARDANT GLASS FILLED POLYESTER - BLACK. CONTACTS: PHOS. BRONZE.
- 7 POINT OF CONTACT DIMENSION.
- 8 POINT OF MEASUREMENT FOR PLATING THICKNESS (INSIDE CONTACT BEAMS).
- 9 DUPLEX PLATED: 0.00076 (.000030) GOLD DUPLEX IN CONTACT AREA, 0.00381-0.00762 (.000150-.000300) MATTE TIN ON LEADS, ALL OVER 0.00127 (.000050) MIN NICKEL.
- 10 ROHS 2002/95/EC COMPLIANT
- 11 PART NUMBER AND DATE CODE ARE MARKED IN APPROXIMATE LOCATION SHOWN.
- 12 OBSOLETE PARTS: OBSOLETE CIS STREAMLINING PER D.RENAUD/D.SINISI



RECOMENDED HOLE LAYOUT FOR TOP ENTRY




RECOMENDED HOLE LAYOUT FOR BOTTOM ENTRY OR PASS THROUGH APPLICATIONS

THIS DRAWING IS A CONTROLLED DOCUMENT.		DWN R. BOLES 19-11-92	TE Connectivity Ltd.	
DIMENSIONS: mm [INCHES]		CHK T. KINSEY 19-11-92		
TOLERANCES UNLESS OTHERWISE SPECIFIED:		APVD -	NAME	
0 PLC ± - 1 PLC ± - 2 PLC ± - 3 PLC ± .005 4 PLC ± - ANGLES ± -		PRODUCT SPEC 108-25026	ASSEMBLY, MOD II DOUBLE ROW, .100 X .100 C/L, VERTICAL MOUNTED, CLOSED ENTRY, SHORT PT. CONTACTS	
MATERIAL		APPLICATION SPEC 114-25018	SIZE A2	CAGE CODE 00779
FINISH		WEIGHT -	DRAWING NO C=534236	RESTRICTED TO -
		CUSTOMER DRAWING	SCALE 4:1	SHEET 1 OF 2
			REV W	

REVISIONS					
P	LTR	DESCRIPTION	DATE	DWN	APVD
-	-	SEE SHEET 1	-	-	-

FINISH	A	B	NO OF POSN	PART NO.	
5	OBSOLETE	1.300	1.200	26	9-534236-1
9	OBSOLETE	4.000	3.900	80	9-534236-0
9	OBSOLETE	3.900	3.800	78	8-534236-9
9	OBSOLETE	3.800	3.700	76	8-534236-8
9	OBSOLETE	3.700	3.600	74	8-534236-7
9	OBSOLETE	3.600	3.500	72	8-534236-6
9	OBSOLETE	3.500	3.400	70	8-534236-5
9	OBSOLETE	3.400	3.300	68	8-534236-4
9	OBSOLETE	3.300	3.200	66	8-534236-3
9	OBSOLETE	3.200	3.100	64	8-534236-2
9	OBSOLETE	3.100	3.000	62	8-534236-1
9	OBSOLETE	3.000	2.900	60	8-534236-0
9	OBSOLETE	2.900	2.800	58	7-534236-9
9	OBSOLETE	2.800	2.700	56	7-534236-8
9	OBSOLETE	2.700	2.600	54	7-534236-7
9	OBSOLETE	2.600	2.500	52	7-534236-6
9	OBSOLETE	2.500	2.400	50	7-534236-5
9	OBSOLETE	2.400	2.300	48	7-534236-4
9	OBSOLETE	2.300	2.200	46	7-534236-3
9	OBSOLETE	2.200	2.100	44	7-534236-2
9	OBSOLETE	2.100	2.000	42	7-534236-1
9	OBSOLETE	2.000	1.900	40	7-534236-0
9	OBSOLETE	1.900	1.800	38	6-534236-9
9	OBSOLETE	1.800	1.700	36	6-534236-8
9	OBSOLETE	1.700	1.600	34	6-534236-7
9	OBSOLETE	1.600	1.500	32	6-534236-6
9	OBSOLETE	1.500	1.400	30	6-534236-5
9	OBSOLETE	1.400	1.300	28	6-534236-4
9	OBSOLETE	1.300	1.200	26	6-534236-3
9	OBSOLETE	1.200	1.100	24	6-534236-2
9	OBSOLETE	1.100	1.000	22	6-534236-1
9	OBSOLETE	1.000	.900	20	6-534236-0
9	OBSOLETE	.900	.800	18	5-534236-9
9	OBSOLETE	.800	.700	16	5-534236-8
9	OBSOLETE	.700	.600	14	5-534236-7
9	OBSOLETE	.600	.500	12	5-534236-6
5	OBSOLETE	.500	.400	10	5-534236-5
5	OBSOLETE	.400	.300	8	5-534236-4
5	OBSOLETE	.300	.200	6	5-534236-3
5	OBSOLETE	.200	.100	4	5-534236-2
5	OBSOLETE	.100	-	2	5-534236-1

FINISH	A	B	NO OF POSN	PART NO.	
5	OBSOLETE	1.300	1.200	26	4-534236-1
3	OBSOLETE	4.000	3.900	80	4-534236-0
3	OBSOLETE	3.900	3.800	78	3-534236-9
3	OBSOLETE	3.800	3.700	76	3-534236-8
3	OBSOLETE	3.700	3.600	74	3-534236-7
3	OBSOLETE	3.600	3.500	72	3-534236-6
3	OBSOLETE	3.500	3.400	70	3-534236-5
3	OBSOLETE	3.400	3.300	68	3-534236-4
3	OBSOLETE	3.300	3.200	66	3-534236-3
3	OBSOLETE	3.200	3.100	64	3-534236-2
3	OBSOLETE	3.100	3.000	62	3-534236-1
3	OBSOLETE	3.000	2.900	60	3-534236-0
3	OBSOLETE	2.900	2.800	58	2-534236-9
3	OBSOLETE	2.800	2.700	56	2-534236-8
3	OBSOLETE	2.700	2.600	54	2-534236-7
3	OBSOLETE	2.600	2.500	52	2-534236-6
3	OBSOLETE	2.500	2.400	50	2-534236-5
3	OBSOLETE	2.400	2.300	48	2-534236-4
3	OBSOLETE	2.300	2.200	46	2-534236-3
3	OBSOLETE	2.200	2.100	44	2-534236-2
3	OBSOLETE	2.100	2.000	42	2-534236-1
3	OBSOLETE	2.000	1.900	40	2-534236-0
3	OBSOLETE	1.900	1.800	38	1-534236-9
3	OBSOLETE	1.800	1.700	36	1-534236-8
3	OBSOLETE	1.700	1.600	34	1-534236-7
3	OBSOLETE	1.600	1.500	32	1-534236-6
3	OBSOLETE	1.500	1.400	30	1-534236-5
3	OBSOLETE	1.400	1.300	28	1-534236-4
3	OBSOLETE	1.300	1.200	26	1-534236-3
3	OBSOLETE	1.200	1.100	24	1-534236-2
3	OBSOLETE	1.100	1.000	22	1-534236-1
3	OBSOLETE	1.000	.900	20	1-534236-0
3	OBSOLETE	.900	.800	18	534236-9
3	OBSOLETE	.800	.700	16	534236-8
3	OBSOLETE	.700	.600	14	534236-7
3	OBSOLETE	.600	.500	12	534236-6
3	OBSOLETE	.500	.400	10	534236-5
3	OBSOLETE	.400	.300	8	534236-4
3	OBSOLETE	.300	.200	6	534236-3
3	OBSOLETE	.200	.100	4	534236-2
3	OBSOLETE	.100	-	2	534236-1

THIS DRAWING IS A CONTROLLED DOCUMENT.		DWN R. BOLES 19-11-92	 TE Connectivity Ltd.
DIMENSIONS: mm [INCHES]		CHK T. KINSEY 19-11-92	
TOLERANCES UNLESS OTHERWISE SPECIFIED:		APVD -	NAME
0 PLC ± - 1 PLC ± - 2 PLC ± - 3 PLC ± .005 4 PLC ± - ANGLES ± -		PRODUCT SPEC 108-25026	ASSEMBLY, MOD II DOUBLE ROW, .100 X .100 C/L, VERTICAL MOUNTED, CLOSED ENTRY, SHORT PT. CONTACTS
MATERIAL 6	FINISH 3 9	APPLICATION SPEC 114-25018	SIZE A2
		WEIGHT -	CAGE CODE 00779
		CUSTOMER DRAWING	DRAWING NO C=534236
		SCALE 4:1	RESTRICTED TO -
		SHEET 2 of 2	REV W

Mouser Electronics

Authorized Distributor

Click to View Pricing, Inventory, Delivery & Lifecycle Information:

[TE Connectivity:](#)

[534236-8](#)