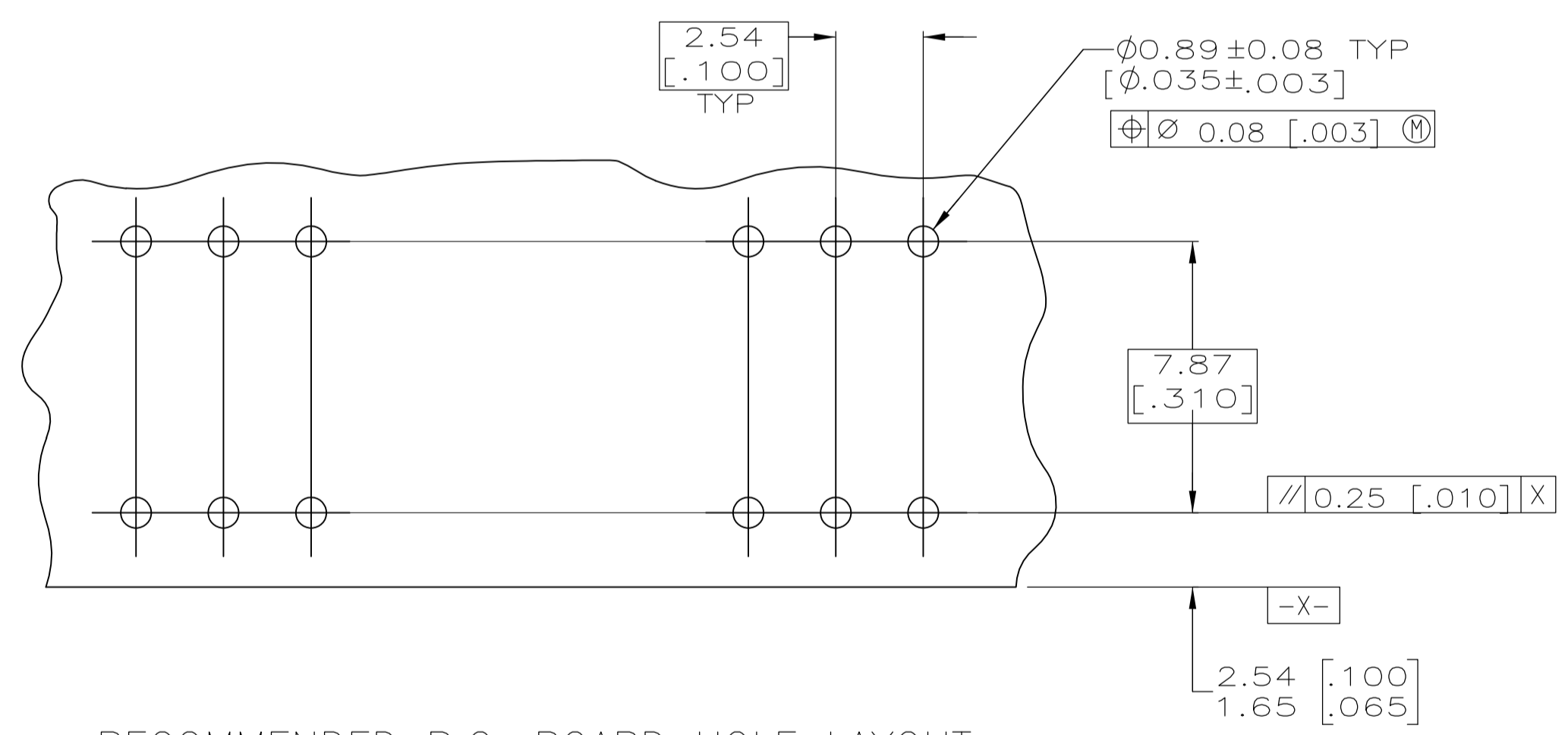
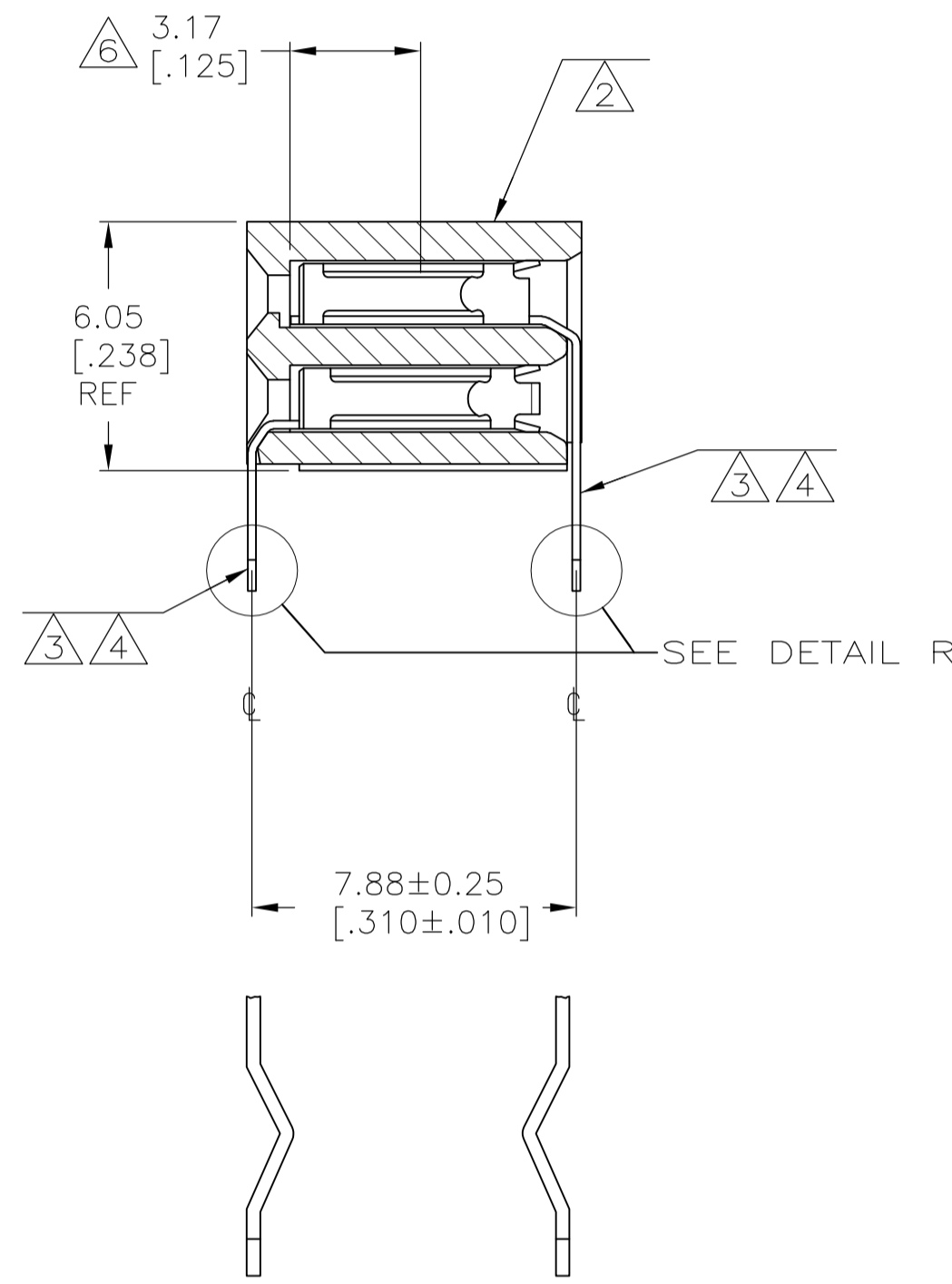
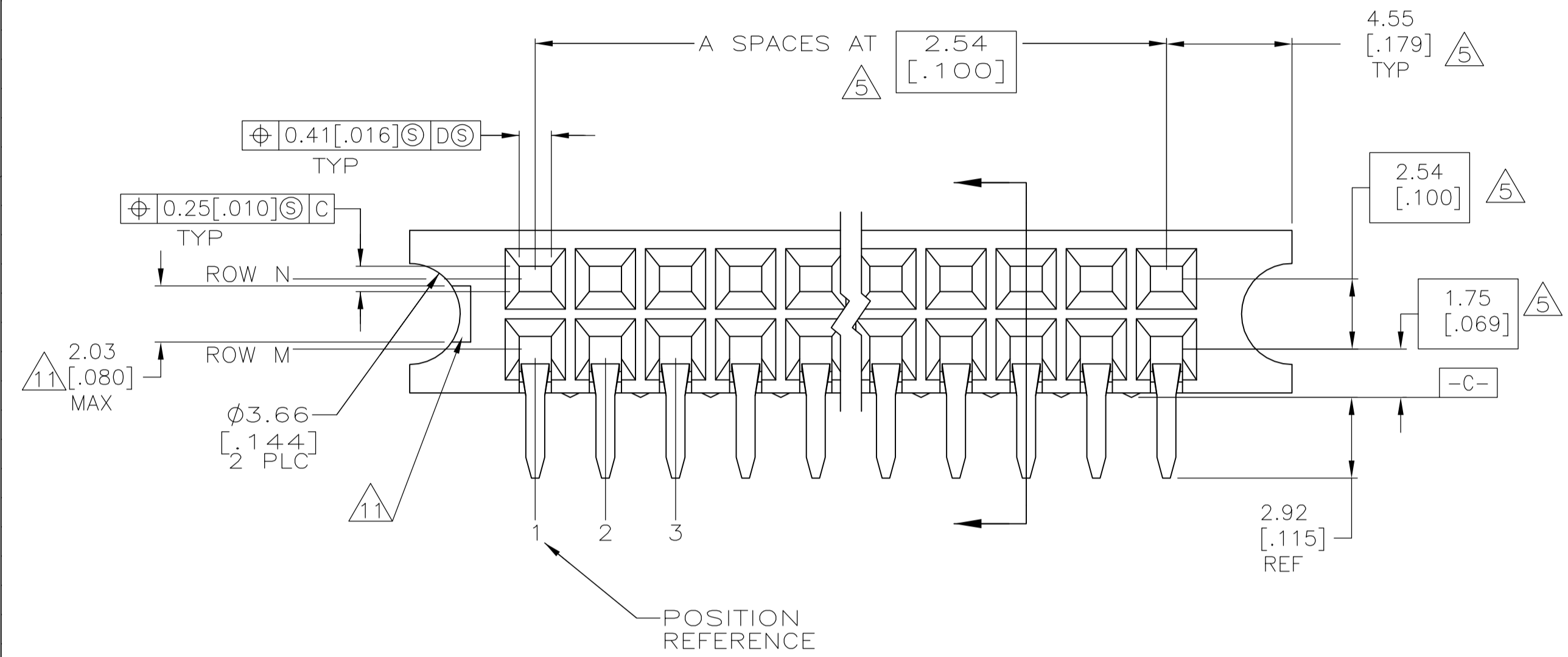
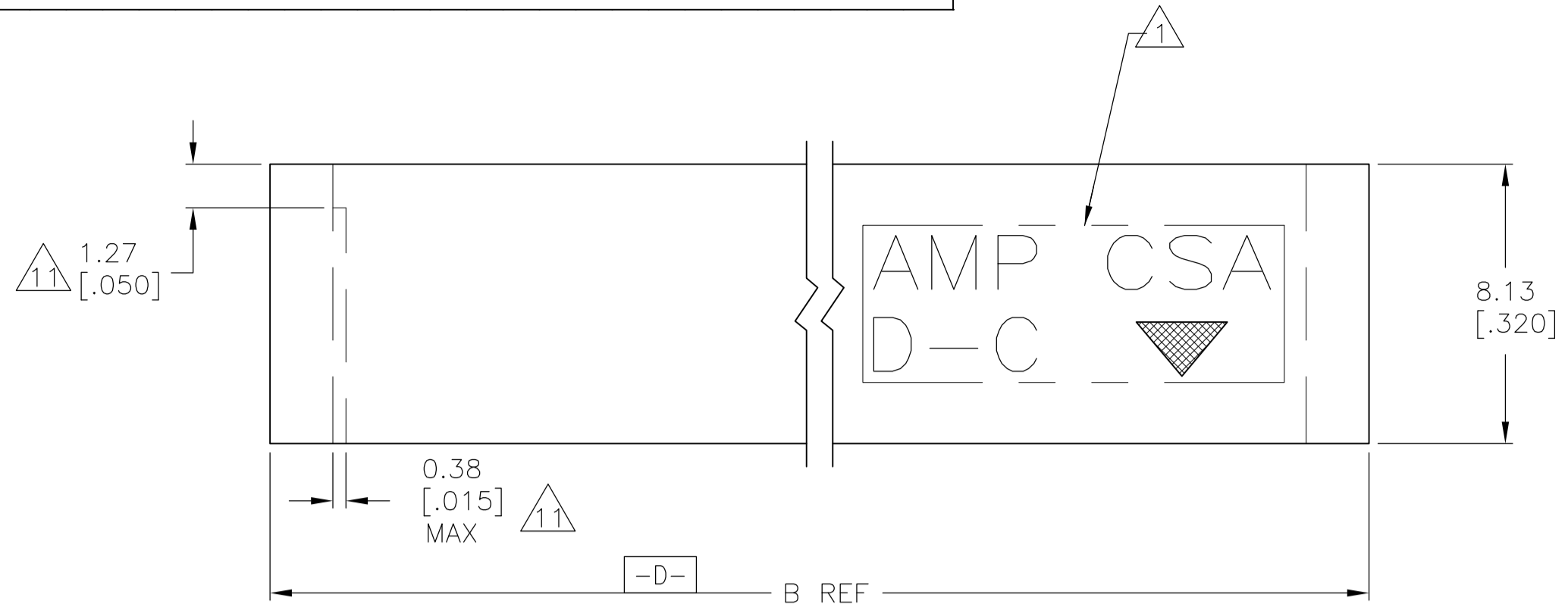


| LOC | | DIST | | REVISIONS | | | |
|-----|---------------------------|------|-----|-------------|---------|-----|------|
| AD | 00 | F | LTR | DESCRIPTION | DATE | DMN | APVD |
| S4 | REVISED PER ECO-11-004587 | | | | 11MAR11 | RK | HMR |



RECOMMENDED P.C. BOARD HOLE LAYOUT

DETAIL R BOARD RETENTION FEATURE SCALE 10:1

- 1 "AMP", "CSA", "▼" AND "DATE CODE" WITH .062 ±0.015 HIGH CHARACTERS WHERE SIZE PERMITS.
- 2 HOUSING: 1-70 POSITION SIZES MAY BE PPS, GLASS-FILLED OR PCT, GLASS-FILLED, POSITION SIZES GREATER THAN 70 WILL BE PPS, GLASS-FILLED.
- 3 CONTACT: PHOSPHOR BRONZE.
- 4 CONTACT FINISH: DUPLEX PLATED 0.00076 [.000030] GOLD IN CONTACT AREA, 0.00127-0.00254 [.000050-.000100] BRIGHT TIN-LEAD ON SOLDER TAILS, ALL OVER 0.00127 [.000050] NICKEL.
- 5 THESE DIMENSIONS PERTAIN TO CAVITY C'S ONLY, NOT TO CONTACT LOCATIONS.
- 6 POINT OF MEASUREMENT FOR PLATING THICKNESS (INSIDE CONTACT BEAMS).
- 7. CSA LOGO INK STAMPED WHITE ON HOUSING.

- 8 PRELIMINARY PART - NOT RELEASED FOR PRODUCTION
- 9 CONTACT FINISH: DUPLEX PLATED 0.00076 [.000030] GOLD IN CONTACT AREA, 0.00127-0.00254 [.000050-.000100] MATTE TIN ON SOLDER TAILS, ALL OVER 0.00127 [.000050] NICKEL.
- 10 ROHS 2002/95/EC COMPLIANT.
- 11 RECESSED AREA AROUND MOLD GATE IS OPTIONAL. THIS FEATURE IS ALLOWABLE ON EITHER SIDE OF HOUSING OR MAY NOT BE PRESENT AT ALL.
- 12 OBSOLETE PARTS: OBSOLETE CIS STREAMLINING PER D.RENAUD/D.SINISI

| REV | DESCRIPTION | DATE | BY | CHKD | APPD | REV | DESCRIPTION | DATE | BY | CHKD | APPD |
|--------|-------------------------------|-------|----|------|------------|-----------------------|-----------------------|-----------------|----|------|------------|
| 12 | OBSOLETE | | | | | 1, 4 | 1, 4 | 16.71 [.658] | 3 | 8 | 7-534204-2 |
| 12 | OBSOLETE | | | | | 1, 3 | 1, 3 | 14.17 [.558] | 2 | 6 | 7-534204-1 |
| 12 | OBSOLETE | | | | | 1, 2, 50, 51, 99, 100 | 1, 2, 50, 51, 99, 100 | 260.55 [10.258] | 99 | 200 | 7-534204-0 |
| 12 | OBSOLETE | | | | | 1, 2, 40, 41, 79, 80 | 1, 2, 40, 41, 79, 80 | 209.75 [8.258] | 79 | 160 | 6-534204-9 |
| 12 | OBSOLETE | | | | | 1, 2, 35, 36, 69, 70 | 1, 2, 35, 36, 69, 70 | 184.35 [7.258] | 69 | 140 | 6-534204-8 |
| 12 | OBSOLETE | | | | | 1, 2, 32, 33, 64, 65 | 1, 2, 32, 33, 64, 65 | 171.65 [6.758] | 64 | 130 | 6-534204-7 |
| 12 | OBSOLETE | | | | | 1, 2, 27, 28, 54, 55 | 1, 2, 27, 28, 54, 55 | 146.25 [5.758] | 54 | 110 | 6-534204-6 |
| 12 | OBSOLETE | | | | | 1, 2, 47, 48 | 1, 2, 47, 48 | 128.47 [5.058] | 47 | 96 | 6-534204-5 |
| 12 | OBSOLETE | | | | | 1, 2, 35, 36 | 1, 2, 35, 36 | 97.99 [3.858] | 35 | 72 | 6-534204-4 |
| 12 | OBSOLETE | | | | | 1, 2, 34, 35 | 1, 2, 34, 35 | 95.45 [3.758] | 34 | 70 | 6-534204-3 |
| 12 | OBSOLETE | | | | | 1, 2, 19, 20 | 1, 2, 19, 20 | 57.35 [2.258] | 19 | 40 | 6-534204-2 |
| 12 | OBSOLETE | | | | | 1, 2, 11, 12 | 1, 2, 11, 12 | 37.03 [1.458] | 11 | 24 | 6-534204-1 |
| 12 | OBSOLETE | | | | | 1, 2, 7, 8 | 1, 2, 7, 8 | 26.87 [1.058] | 7 | 16 | 6-534204-0 |
| 12 | OBSOLETE | | | | | 1, 2, 9, 10 | 1, 2, 9, 10 | 31.95 [1.258] | 9 | 20 | 5-534204-9 |
| 12 | OBSOLETE | | | | | 1, 2, 39, 40 | 1, 2, 39, 40 | 108.15 [4.258] | 39 | 80 | 5-534204-8 |
| 12 | OBSOLETE | | | | | 1, 2, 30, 31, 59, 60 | 1, 2, 30, 31, 59, 60 | 158.95 [6.258] | 59 | 120 | 5-534204-7 |
| 12 | OBSOLETE | | | | | 1, 2, 25, 26, 49, 50 | 1, 2, 25, 26, 49, 50 | 133.55 [5.258] | 49 | 100 | 5-534204-6 |
| 12 | OBSOLETE | | | | | 1, 2, 29, 30 | 1, 2, 29, 30 | 82.75 [3.258] | 29 | 60 | 5-534204-5 |
| 12 | OBSOLETE | | | | | 1, 2, 14, 15 | 1, 2, 14, 15 | 44.65 [1.758] | 14 | 30 | 5-534204-4 |
| 12 | OBSOLETE | | | | | 1, 2, 17, 18 | 1, 2, 17, 18 | 52.27 [2.058] | 17 | 36 | 5-534204-3 |
| 12 | OBSOLETE | | | | | 1, 2, 5, 6 | 1, 2, 5, 6 | 21.79 [.858] | 5 | 12 | 5-534204-2 |
| 12 | OBSOLETE | | | | | 1, 2, 24, 25 | 1, 2, 24, 25 | 70.05 [2.758] | 24 | 50 | 5-534204-1 |
| 12 | OBSOLETE | | | | | 1, 4 | 1, 4 | 16.71 [.658] | 3 | 8 | 2-534204-2 |
| 12 | OBSOLETE | | | | | 1, 3 | 1, 3 | 14.17 [.558] | 2 | 6 | 2-534204-1 |
| 12 | OBSOLETE | | | | | 1, 2, 50, 51, 99, 100 | 1, 2, 50, 51, 99, 100 | 260.55 [10.258] | 99 | 200 | 2-534204-0 |
| 12 | OBSOLETE | | | | | 1, 2, 40, 41, 79, 80 | 1, 2, 40, 41, 79, 80 | 209.75 [8.258] | 79 | 160 | 1-534204-9 |
| 12 | OBSOLETE | | | | | 1, 2, 35, 36, 69, 70 | 1, 2, 35, 36, 69, 70 | 184.35 [7.258] | 69 | 140 | 1-534204-8 |
| 12 | OBSOLETE | | | | | 1, 2, 32, 33, 64, 65 | 1, 2, 32, 33, 64, 65 | 171.65 [6.758] | 64 | 130 | 1-534204-7 |
| 12 | OBSOLETE | | | | | 1, 2, 27, 28, 54, 55 | 1, 2, 27, 28, 54, 55 | 146.25 [5.758] | 54 | 110 | 1-534204-6 |
| 12 | OBSOLETE | | | | | 1, 2, 47, 48 | 1, 2, 47, 48 | 128.47 [5.058] | 47 | 96 | 1-534204-5 |
| 12 | OBSOLETE | | | | | 1, 2, 35, 36 | 1, 2, 35, 36 | 97.99 [3.858] | 35 | 72 | 1-534204-4 |
| 12 | OBSOLETE | | | | | 1, 2, 34, 35 | 1, 2, 34, 35 | 95.45 [3.758] | 34 | 70 | 1-534204-3 |
| 12 | OBSOLETE | | | | | 1, 2, 19, 20 | 1, 2, 19, 20 | 57.35 [2.258] | 19 | 40 | 1-534204-2 |
| 12 | OBSOLETE | | | | | 1, 2, 11, 12 | 1, 2, 11, 12 | 37.03 [1.458] | 11 | 24 | 1-534204-1 |
| 12 | OBSOLETE | | | | | 1, 2, 7, 8 | 1, 2, 7, 8 | 26.87 [1.058] | 7 | 16 | 1-534204-0 |
| 12 | OBSOLETE | | | | | 1, 2, 9, 10 | 1, 2, 9, 10 | 31.95 [1.258] | 9 | 20 | 534204-9 |
| 12 | OBSOLETE | | | | | 1, 2, 39, 40 | 1, 2, 39, 40 | 108.15 [4.258] | 39 | 80 | 534204-8 |
| 12 | OBSOLETE | | | | | 1, 2, 30, 31, 59, 60 | 1, 2, 30, 31, 59, 60 | 158.95 [6.258] | 59 | 120 | 534204-7 |
| 12 | OBSOLETE | | | | | 1, 2, 25, 26, 49, 50 | 1, 2, 25, 26, 49, 50 | 133.55 [5.258] | 49 | 100 | 534204-6 |
| 12 | OBSOLETE | | | | | 1, 2, 29, 30 | 1, 2, 29, 30 | 82.75 [3.258] | 29 | 60 | 534204-5 |
| 12 | OBSOLETE | | | | | 1, 2, 14, 15 | 1, 2, 14, 15 | 44.65 [1.758] | 14 | 30 | 534204-4 |
| 12 | OBSOLETE | | | | | 1, 2, 17, 18 | 1, 2, 17, 18 | 52.27 [2.058] | 17 | 36 | 534204-3 |
| 12 | OBSOLETE | | | | | 1, 2, 5, 6 | 1, 2, 5, 6 | 21.79 [.858] | 5 | 12 | 534204-2 |
| 12 | OBSOLETE | | | | | 1, 2, 24, 25 | 1, 2, 24, 25 | 70.05 [2.758] | 24 | 50 | 534204-1 |
| FINISH | ROW M | ROW N | B | A | NO OF POSN | PART NUMBER | | | | | |
| | POSITION WITH BOARD RETENTION | | | | | | | | | | |

THIS DRAWING IS A CONTROLLED DOCUMENT. DIMENSIONS: mm [INCHES]. TOLERANCES UNLESS OTHERWISE SPECIFIED: 0 PLC ±, 1 PLC ±, 2 PLC ±, 3 PLC ±, 4 PLC ±. MATERIAL: 2/3. FINISH: SEE TABLE. WEIGHT: -. SIZE: A1. CUSTOMER DRAWING. SCALE: 6:1. SHEET: 1 OF 1. REV: S4.

STE TE Connectivity
RECEPTACLE ASSY, MOD II, DBL ROW, 2.54 X 2.54 [.100 X .100] CL, GUIDE PIN EARS, CLOSED ENTRY.

Mouser Electronics

Authorized Distributor

Click to View Pricing, Inventory, Delivery & Lifecycle Information:

[TE Connectivity:](#)

[5-534204-4](#)