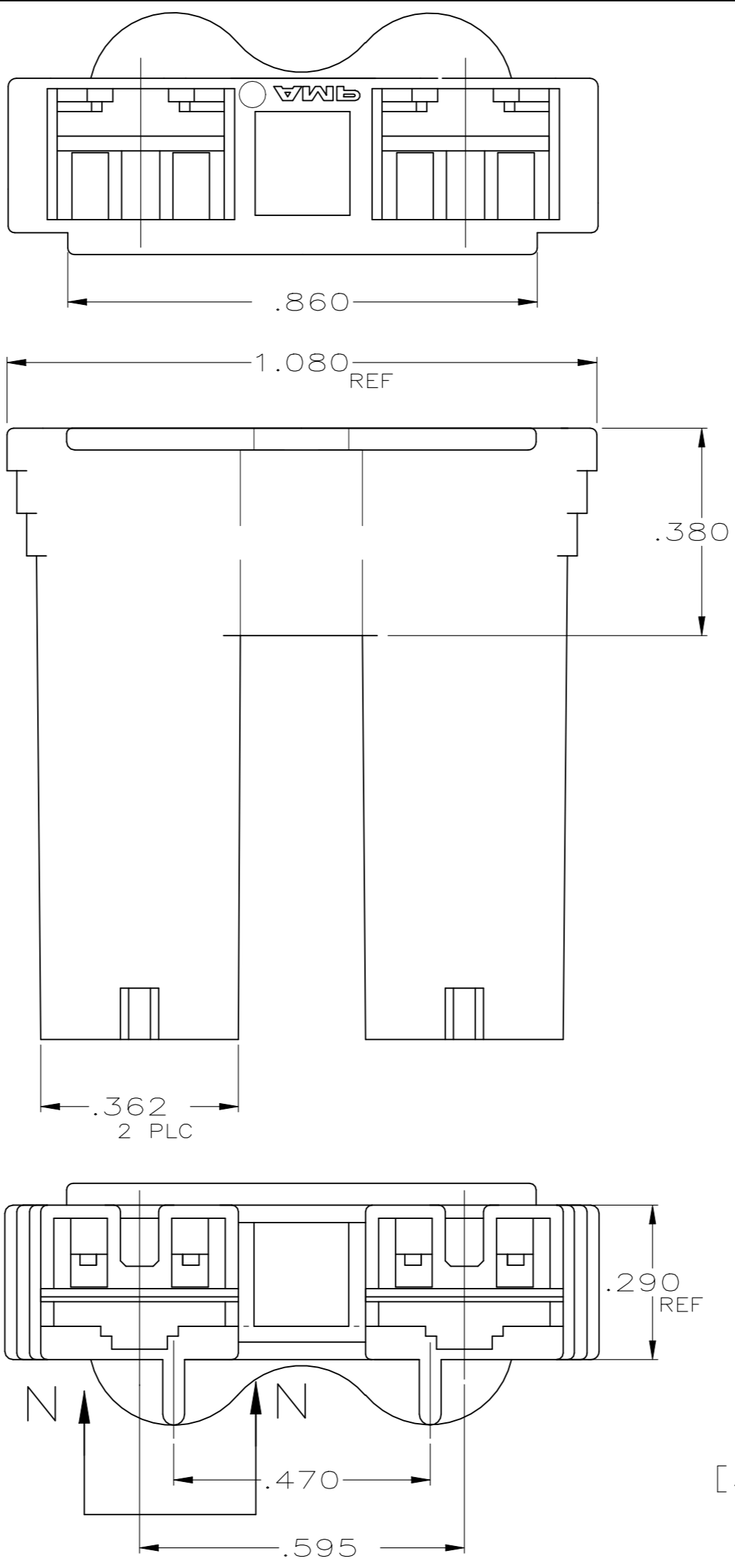
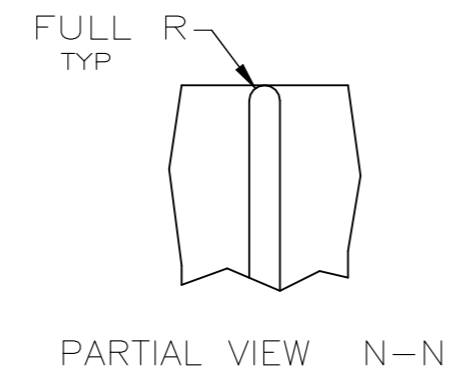
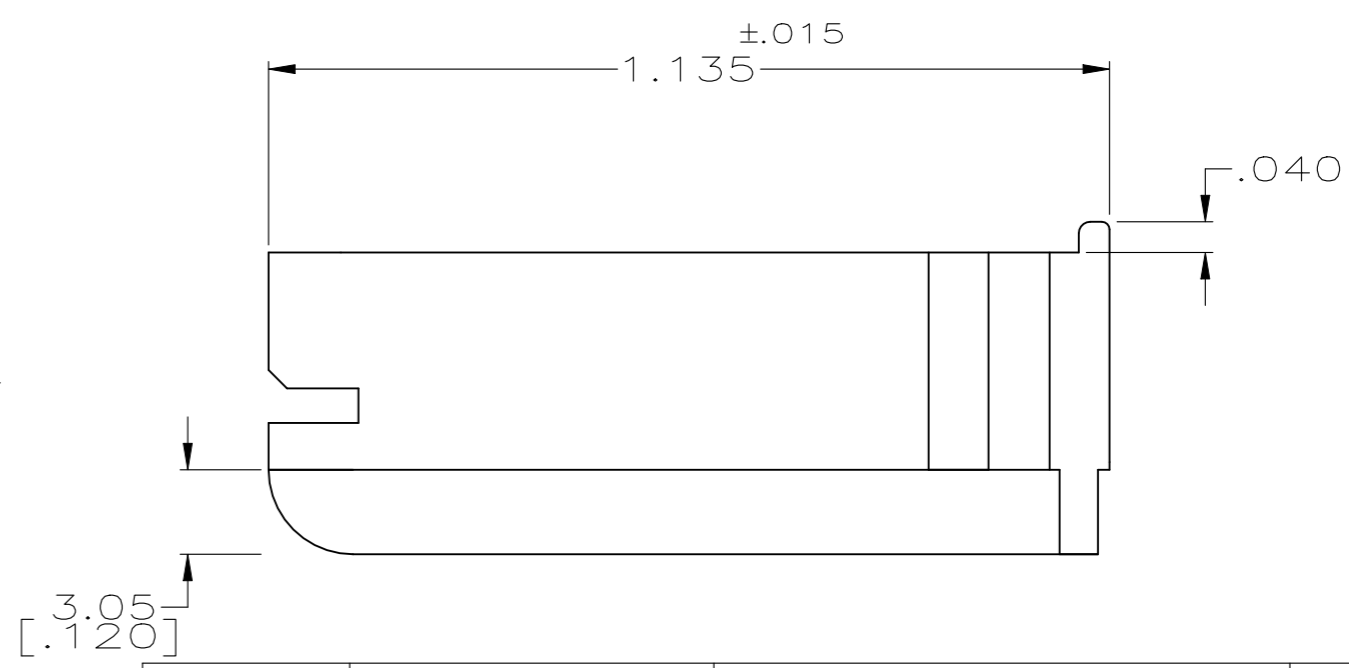


THIS DRAWING IS UNPUBLISHED. RELEASED FOR PUBLICATION
 © COPYRIGHT - By - ALL RIGHTS RESERVED.

LOC	DIST	REVISIONS			
P	LTR	DESCRIPTION	DATE	DWN	APVD
AF	50	M9	REVISED PER ECR-21-120874	24NOV2021	AA DS



- 1 GLOW WIRE APPROVED; CONTACT TE ENGINEERING FOR SPECIFICATION
- 2 ALL WALL THICKNESSES ARE BETWEEN .016 INCH (0.4MM) AND .118 INCH (3.0MM)
- 3 NOT FOR PRODUCTION: AGENCY APPROVAL IS PENDING.
- 4 NOTE DELETED.
- 5 NOTE DELETED.



NOTES	COLOR	MATERIAL	PART NO
	RED	66 NYLON V0, GWT RED	2-521229-2
	NATURAL	66 NYLON V0, GWT NATURAL	2-521229-1
1	RED	NYLON 6, UL94-V2	1-521229-2
1	NATURAL	NYLON 6, UL94-V2	1-521229-1
	RED	NYLON 66/6, UL94-V0	521229-2
	NATURAL	NYLON 66/6, UL94-V0	521229-1

THIS DRAWING IS A CONTROLLED DOCUMENT.

DWN	JR RUTH	05NOV99	 TE Connectivity
CHK	M FEHER	05NOV99	
APVD	D BRATINA	05NOV99	
PRODUCT SPEC			
APPLICATION SPEC	114-2074		NAME
MATERIAL	SEE TABLE	FINISH	SEE TABLE
WEIGHT		SCALE	4:1
CUSTOMER DRAWING		SHEET	1 OF 1
		REV	M9

SIZE A2 CAGE CODE 00779 DRAWING NO C=521229 RESTRICTED TO -

Mouser Electronics

Authorized Distributor

Click to View Pricing, Inventory, Delivery & Lifecycle Information:

[TE Connectivity:](#)

[521229-2](#)