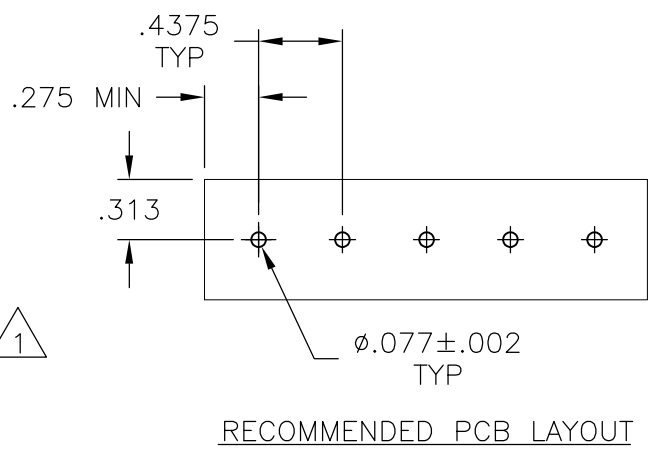
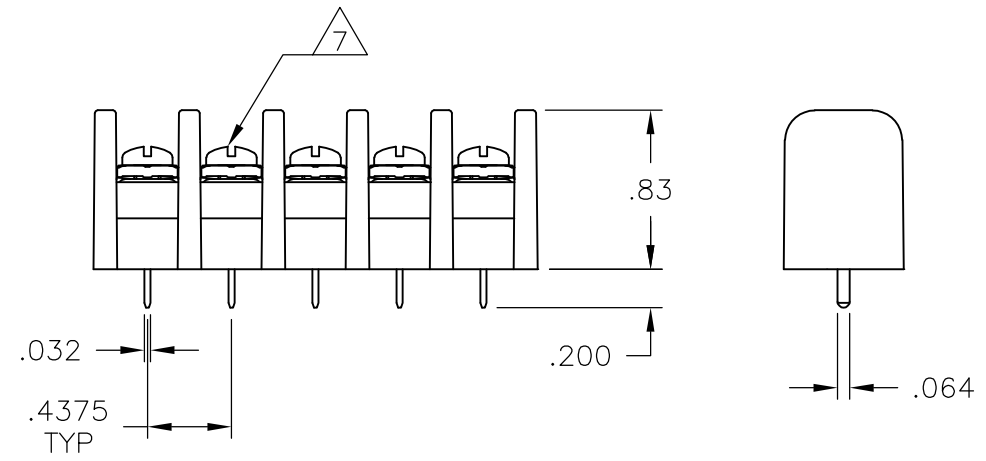
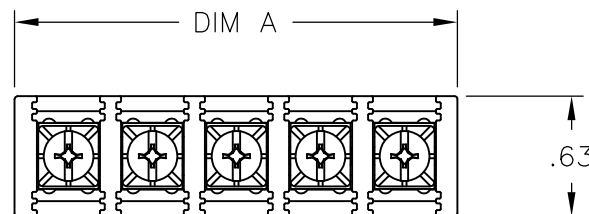


THIS DRAWING IS UNPUBLISHED. RELEASED FOR PUBLICATION
 © COPYRIGHT - By - ALL RIGHTS RESERVED.

LOC	DIST	REVISIONS					
FT	0	P	LTR	DESCRIPTION	DATE	DWN	APVD
		R		REVISED PER ECO-11-023039	20FEB12	KH	MS



MATERIAL:
 HOUSING: THERMOPLASTIC, UL94V-2, BLACK.
 TERMINAL: BRASS, PLATED BRIGHT TIN OVER NICKEL.
 SCREWS: 6-32, STEEL, ZINC AND CHROMATE PLATED ¹
 OR
 NICKEL OVER COPPER PLATED ²

ELECTRICAL:
 MAXIMUM CURRENT: 20A.
 OPERATING VOLTAGE: 600V.
 WIRE RANGE: 12 AWG MAX.
ENVIRONMENT:
 OPERATING TEMP.: -60°C TO +105°C.

- ³ WHITE INK MARKING, APPROX. AS SHOWN. (SEE PAGE 2)
- ⁴ PRELIMINARY PART NUMBER.
- ⁵ OBSOLETE PARTS: OBSOLETE CIS STREAMLINING PER D.RENAUD/D.SINISI
- ⁶ SPECIAL MARKING SEE DETAIL.
- ⁷ ALL SCREWS BOTTOMED, TORQUE 2 TO 4 IN-LBS

REV	DATE	DESCRIPTION	DATE	DWN	APVD
1	11.937	27	SSB7FP270202	2-1546984-7	
1	11.500	26	SSB7FP260202	5-1437416-4	
1	11.062	25	SSB7FP250202	5-1437416-3	
1	10.625	24	SSB7FP240202	2-1546984-4	
1	10.187	23	SSB7FP230202	2-1546984-3	
1	9.750	22	SSB7FP220202	2-1546984-2	
1	9.312	21	SSB7FP210202	2-1546984-1	
1	8.875	20	SSB7FP200202	5-1437416-2	
1	8.437	19	SSB7FP190202	1-1546984-9	
1	8.000	18	SSB7FP18020212	5-1437416-1	
1	8.000	18	SSB7FP180202	1-1546984-8	
1	7.562	17	SSB7FP170202	5-1437416-0	
1	7.125	16	SSB7FP160202	1-1546984-6	
1	6.687	15	SSB7FP150202	4-1437416-7	
1	6.250	14	SSB7FP140202	3-796602-3	
1	5.812	13	SSB7FP130202	1-1546984-3	
1	5.375	12	SSB7FP120202	4-1437416-1	
1	4.937	11	SSB7FP110202	1-1546561-2	
1	4.500	10	SSB7FP100202	3-1437416-5	
4	4.062	9	SSB7FP091402	2-1546984-9	
6	4.062	9	SSB7FP09140211	2-1546984-8	
1	4.062	9	SSB7FP090202	3-1437416-2	
1	3.625	8	SSB7FP080202	2-1437416-8	
1	3.187	7	SSB7FP070202	3-796602-2	
1	2.750	6	SSB7FP060202	2-1437416-2	
1	2.312	5	SSB7FP050202	1-1437416-7	
1	1.875	4	SSB7FP040202	1-1437416-2	
2	1.437	3	SSB7FP0320911	3-1546561-9	
1	1.437	3	SSB7FP03020211	1546561-6	
1	1.437	3	SSB7FP030202	1437416-8	
1	1.000	2	SSB7FP020202	1437416-4	
DIM A	NO. OF POS.	CATALOG NUMBER	PART NUMBER		

THIS DRAWING IS A CONTROLLED DOCUMENT.		DWN S SCHL GEL 16FEB04	STE TE Connectivity		
DIMENSIONS: INCHES		CHK S YODER 2/16/04			
TOLERANCES UNLESS OTHERWISE SPECIFIED:		APVD S YODER 2/16/04	NAME		
0 PLC ± -		PRODUCT SPEC	SSB7 ASSEMBLY		
1 PLC ± -		APPLICATION SPEC	SIZE	CAGE CODE	DRAWING NO
2 PLC ± .02		WEIGHT	A3	00779	C-3-796602-2
3 PLC ± .010		CUSTOMER DRAWING	SCALE	SHEET	REV
4 PLC ± -			NTS	1 OF 2	R
ANGLES ± 1°					
FINISH					

THIS DRAWING IS UNPUBLISHED.

RELEASED FOR PUBLICATION

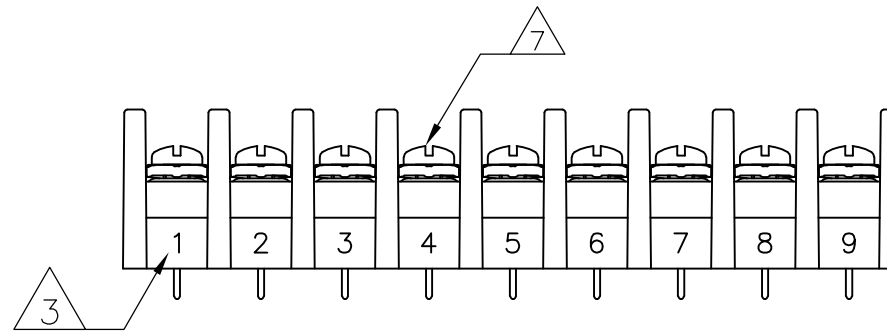
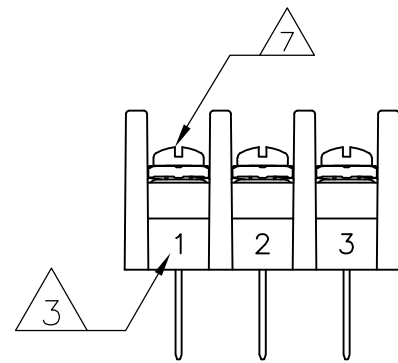
ALL RIGHTS RESERVED.

© COPYRIGHT - By -

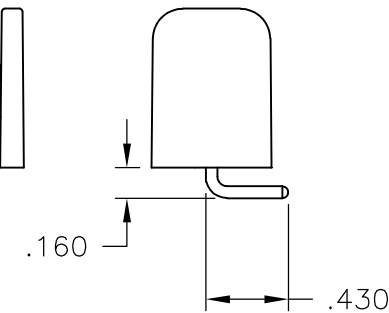
LOC FT DIST 0

REVISIONS

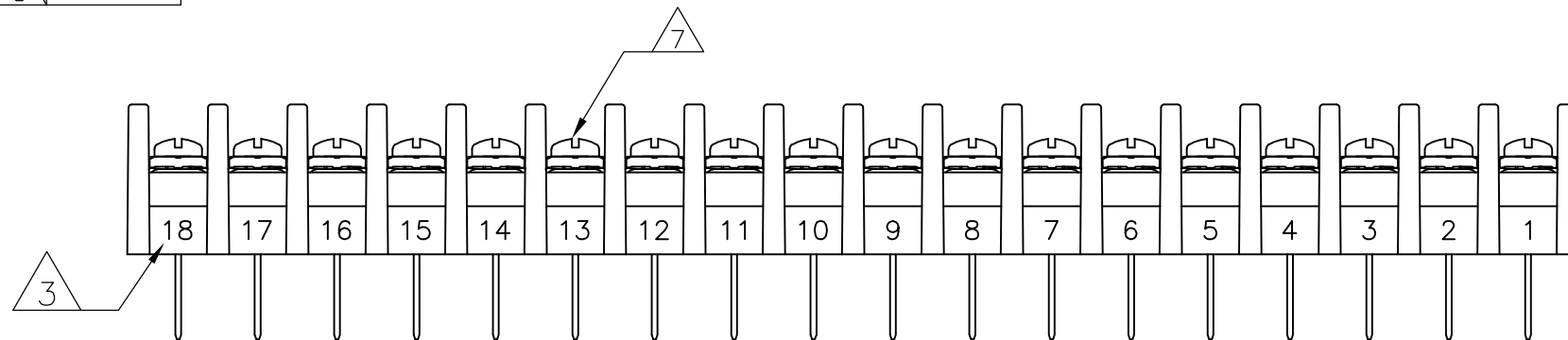
P	LTR	DESCRIPTION	DATE	DWN	APVD
-	-	SEE SHEET 1	-	-	-



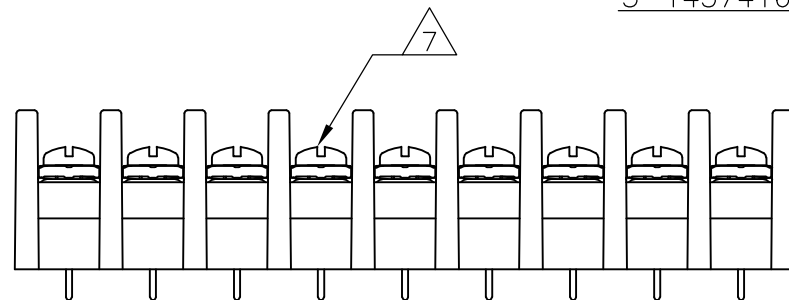
2-1546984-8



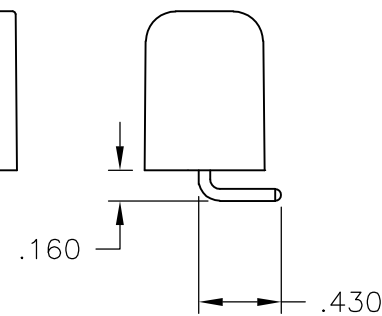
~~5 OBSOLETE 1546561-6~~



5-1437416-1

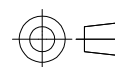


2-1546984-9



THIS DRAWING IS A CONTROLLED DOCUMENT.

DIMENSIONS:
INCHES



TOLERANCES UNLESS OTHERWISE SPECIFIED:

0 PLC	± -
1 PLC	± -
2 PLC	± .02
3 PLC	± .010
4 PLC	± -
ANGLES	± 1°

MATERIAL

FINISH

DWN S SCHL GEL 16FEB04

CHK S YODER 2/16/04

APVD S YODER 2/16/04

PRODUCT SPEC

APPLICATION SPEC

WEIGHT -

CUSTOMER DRAWING



NAME

SSB7 ASSEMBLY

SIZE

CAGE CODE

DRAWING NO

RESTRICTED TO

A3

00779

C-3-796602-2

SCALE NTS

SHEET 2 OF 2

REV R

Mouser Electronics

Authorized Distributor

Click to View Pricing, Inventory, Delivery & Lifecycle Information:

[TE Connectivity:](#)

[5-1437416-1](#)