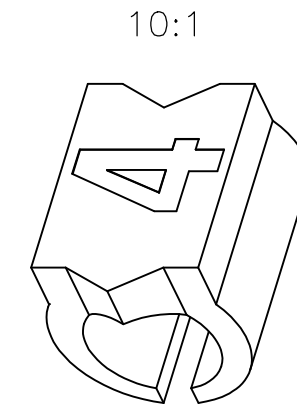
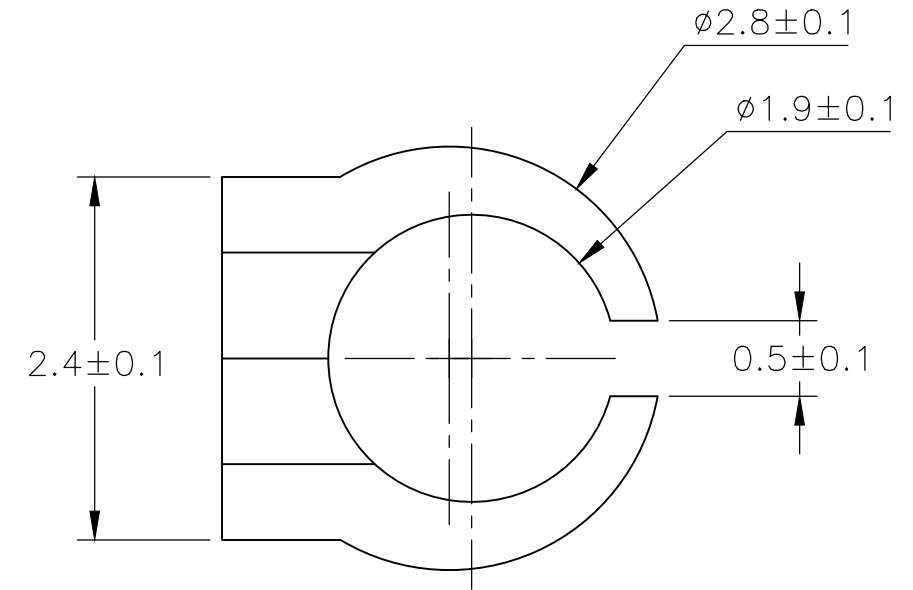
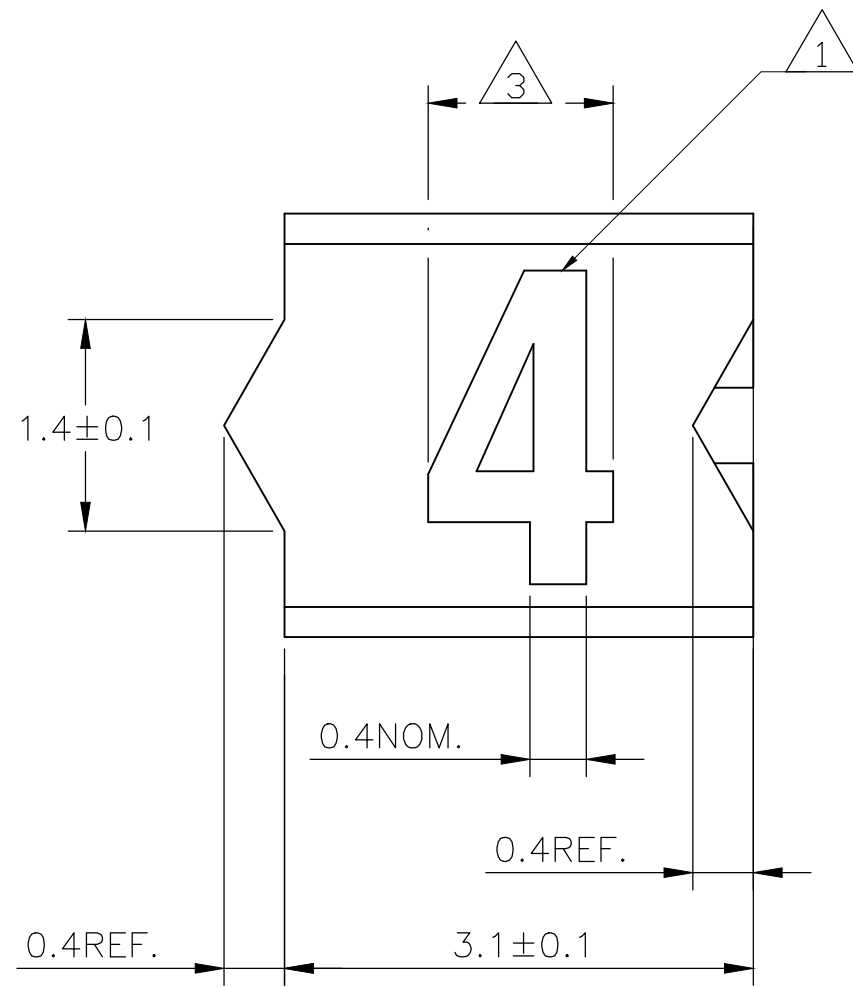
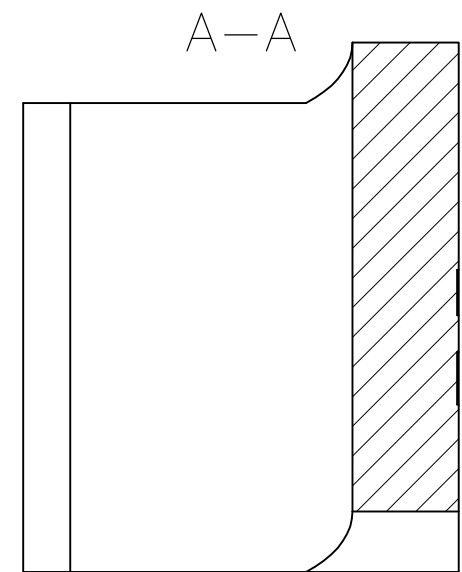
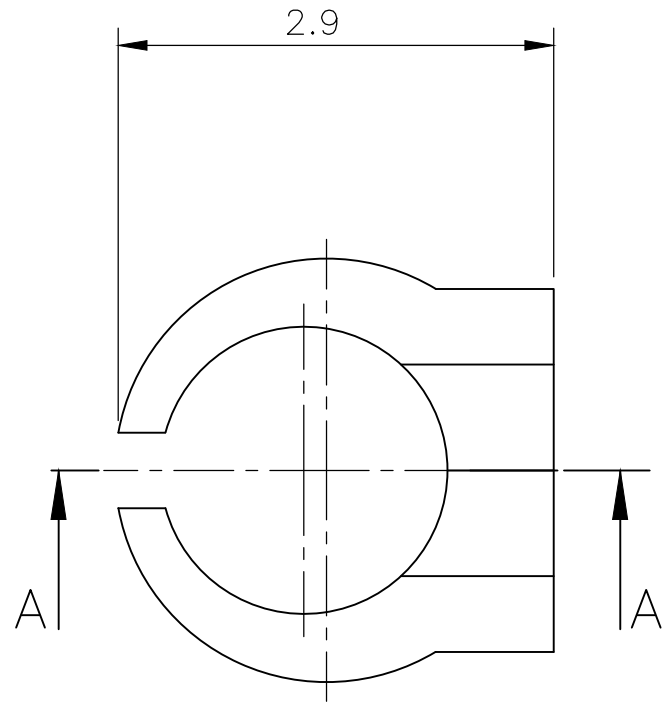


P	LTR	DESCRIPTION	DATE	DWN	APVD
	3	REVISED PER ECR-20-010947	04AUG2020	GK	AK

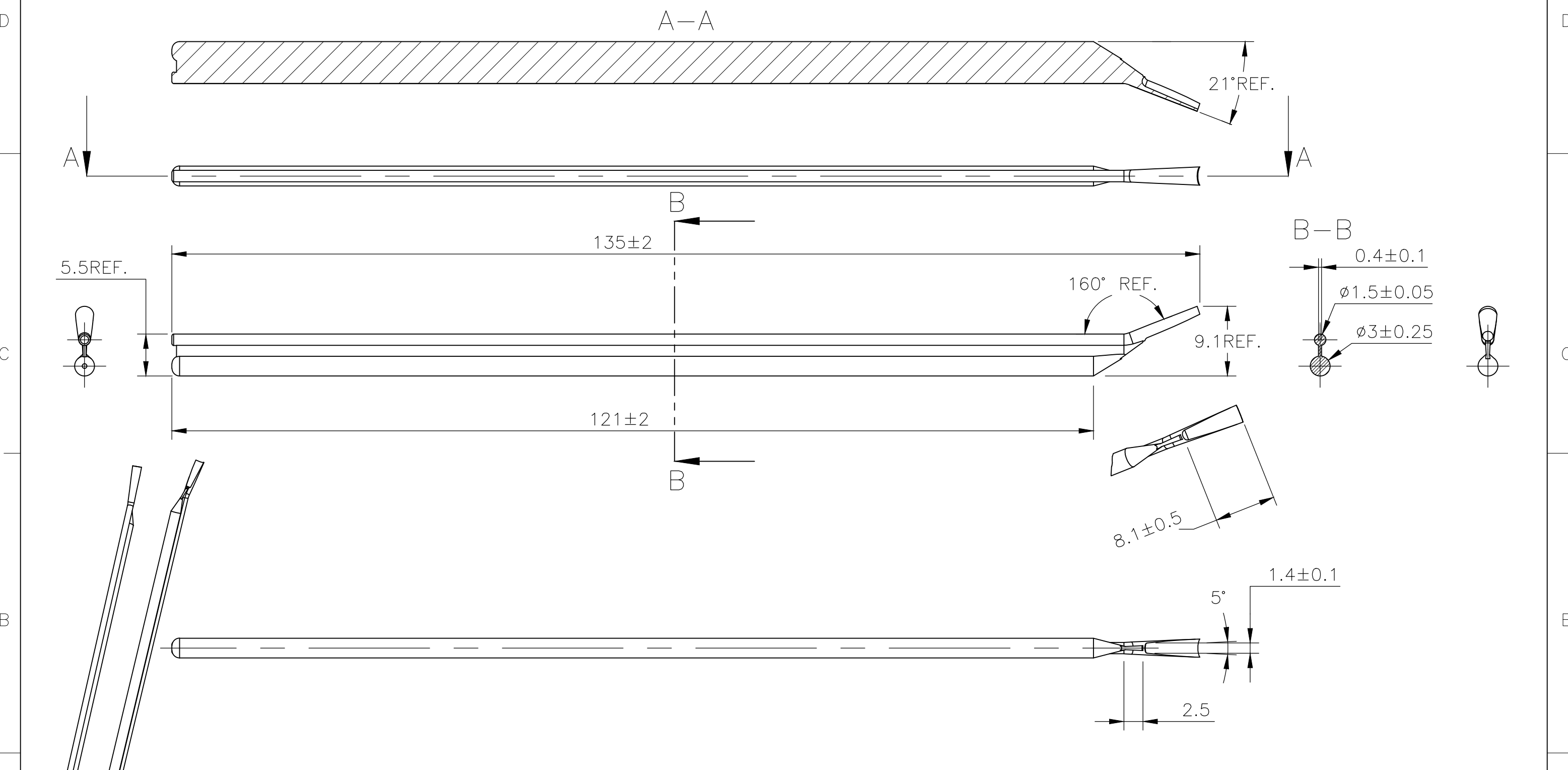


NOTES:

- △1 FOR PART NUMBERS SEE SHEET 3 OF 3.
- △2 MARK SHOULD BE CENTRALLY POSITIONED ±0.1mm
- △3 WIDTH OF MARK DEPENDS ON CHARACTER PRINTED

THIS DRAWING IS A CONTROLLED DOCUMENT.		DWN RAGHAVENDRA K 23MAR2013	TE Connectivity Ltd.														
DIMENSIONS: mm		CHK KEAN ALAN 23MAR2013															
TOLERANCES UNLESS OTHERWISE SPECIFIED:		APVD MARIO APPELLO 23MAR2013	NAME SNAP-ON MARKER STB/STD SIZE 03 WITH APPLICATOR														
<table border="0"> <tr> <td>0 PLC</td> <td>± -</td> </tr> <tr> <td>1 PLC</td> <td>± -</td> </tr> <tr> <td>2 PLC</td> <td>± -</td> </tr> <tr> <td>3 PLC</td> <td>± -</td> </tr> <tr> <td>4 PLC</td> <td>± -</td> </tr> <tr> <td>ANGLES</td> <td>± -</td> </tr> </table>		0 PLC	± -	1 PLC	± -	2 PLC	± -	3 PLC	± -	4 PLC	± -	ANGLES	± -	PRODUCT SPEC -	APPLICATION SPEC -		
0 PLC	± -																
1 PLC	± -																
2 PLC	± -																
3 PLC	± -																
4 PLC	± -																
ANGLES	± -																
MATERIAL -	FINISH -	WEIGHT -	SIZE A3	CAGE CODE C2290	DRAWING NO C-3-1198178-7	RESTRICTED TO -											
CUSTOMER DRAWING			SCALE NTS	SHEET 1 OF 4	REV 3												

REVISIONS					
P	LTR	DESCRIPTION	DATE	DWN	APVD
-	-	SEE SHEET 1	-	-	-



THIS DRAWING IS A CONTROLLED DOCUMENT.		DWN RAGHAVENDRA K 23MAR2013	<b>STE</b> TE Connectivity Ltd.		
DIMENSIONS: mm		CHK KEAN ALAN 23MAR2013			
TOLERANCES UNLESS OTHERWISE SPECIFIED:		APVD MARIO APPELLO 23MAR2013	NAME SNAP-ON MARKER STB/STD SIZE 03 WITH APPLICATOR		
0 PLC ± -		PRODUCT SPEC	-		
1 PLC ± -		APPLICATION SPEC	-		
2 PLC ± -		WEIGHT	-		
3 PLC ± -		SIZE	CAGE CODE	DRAWING NO	RESTRICTED TO
4 PLC ± -		A3	C2290	C-3-1198178-7	-
ANGLES ± -		CUSTOMER DRAWING			
FINISH		SCALE		SHEET	REV
-		NTS		2 OF 4	3

REVISIONS

P	LTR	DESCRIPTION	DATE	DWN	APVD
-	-	SEE SHEET 1	-	-	-

DESCRIPTION	PART NO.
STB03-0-0	4-1768037-8
STB03-0-8	5-1768037-1
STB03-1-1	5-1768037-3
STB03-2-2	5-1768037-8
STB03-2-5	5-1768037-9
STB03-2-8	6-1768037-0
STB03-3-3	6-1768037-3
STB03-5-5	7-1768037-3
STB03-6-6	7-1768037-8
STB03-7-7	8-1768037-3
STB03-8-8	8-1768037-8
STB03-BLANK-0	9-1768037-5
STB03-BLANK-1	9-1768037-6
STB03-BLANK-2	9-1768037-7
STB03-BLANK-3	9-1768037-8
STB03-BLANK-5	9-1768037-9
STB03-BLANK-6	1768038-1
STB03-BLANK-7	1768038-2
STB03-BLANK-8	1768038-3
STD03W/SA	1-1768042-5
STD03W/SAB	1-1768042-6
STD03W/SB	1-1768042-7
STD03W-0	321874-000
STD03W-1	496764-000
STD03W-2	369880-000
STD03W-3	434716-000
STD03W-4	092790-000
STD03W-5	403072-000
STD03W-6	571230-000
STD03W-7	345774-000
STD03W-8	446638-000
STD03W-9	070440-000
STD03W-A	167476-000

4

4

4

4

4

4

4

4

4

4

DESCRIPTION	PART NO.
STD03W-AC	1-1768042-8
<del>STD03W-A-LC</del>	<del>1-1768042-9</del>
STD03W-B	213166-000
STD03W-BLANK	2-1768042-0
<del>STD03W-B-LC</del>	<del>2-1768042-1</del>
STD03W-C	586908-000
STD03W-COLON	548746-000
STD03W-D	845704-000
<del>STD03W-D-LC</del>	<del>2-1768042-2</del>
STD03W-DOT	2-1768042-3
STD03W-E	916196-000
STD03W-EARTH	351404-000
<del>STD03W-E-LC</del>	<del>2-1768042-4</del>
STD03W-F	032218-000
STD03W-G	122028-000
STD03W-H	801234-000
<del>STD03W-H-LC</del>	<del>2-1768042-7</del>
STD03W-I	761148-000
STD03W-J	000666-000
STD03W-K	384850-000
<del>STD03W-K-LC</del>	<del>2-1768042-8</del>
STD03W-L	053232-000
STD03W-M	236988-000
STD03W-MINUS	3-1768042-0
STD03W-N	581086-000
STD03W-P	969958-000
STD03W-PLUS	3-1768042-3
STD03W-Q	185576-000
STD03W-R	559060-000
<del>STD03W-R-LC</del>	<del>3-1768042-4</del>
STD03W-S	376500-000
STD03W-SLASH	489958-000

4

4

4

DESCRIPTION	PART NO.
STD03W-T	006340-000
STD03W-U	593358-000
STD03W-V	875154-000
STD03W-W	026896-000
STD03W-X	593434-000
STD03W-Y	982978-000
STD03W-Z	033694-000
STD03Y/SA	3-1768042-5
STD03Y-0	768714-000
STD03Y-1	197036-000
STD03Y-2	610528-000
STD03Y-3	770010-000
STD03Y-4	499680-000
STD03Y-5	998356-000
STD03Y-6	518144-000
STD03Y-7	443352-000
STD03Y-8	774414-000
STD03Y-9	090056-000
STD03Y-A	345038-000
STD03Y-AC	3-1768042-8
<del>STD03Y-A-LC</del>	<del>3-1768042-9</del>
STD03Y-B	588040-000
STD03Y-BLANK	4-1768042-0
<del>STD03Y-B-LC</del>	<del>4-1768042-1</del>
STD03Y-C	4-1768042-2
STD03Y-COLON	4-1768042-3
STD03Y-D	4-1768042-4
STD03Y-DOT	4-1768042-6

4

4

4

DESCRIPTION	PART NO.
STD03Y-E	4-1768042-7
STD03Y-EARTH	4-1768042-8
<del>STD03Y-E-LC</del>	<del>4-1768042-9</del>
STD03Y-F	886822-000
STD03Y-G	5-1768042-1
STD03Y-H	361720-000
STD03Y-I	413464-000
STD03Y-J	5-1768042-4
STD03Y-K	657680-000
<del>STD03Y-K-LC</del>	<del>5-1768042-5</del>
STD03Y-L	5-1768042-6
STD03Y-M	5-1768042-8
STD03Y-MINUS	5-1768042-9
STD03Y-N	6-1768042-1
STD03Y-P	6-1768042-3
STD03Y-PLUS	6-1768042-4
STD03Y-Q	755512-000
STD03Y-R	6-1768042-5
STD03Y-S	992474-000
STD03Y-SLASH	6-1768042-7
STD03Y-T	6-1768042-8
STD03Y-U	6-1768042-9
STD03Y-V	7-1768042-0
STD03Y-W	7-1768042-1
STD03Y-X	666390-000
STD03Y-Y	7-1768042-2
<del>STD03Y-Z</del>	<del>956734-000</del>

DESCRIPTION	PART NO.
STB03-0-3	5-1768412-4
STB03-1-0	5-1768037-2
STB03-1-8	5-1768037-6
STB03-3-8	6-1768037-5
STB03-2-3	5-1768412-6
STB03-4-8	7-1768037-0
STB03-5-8	7-1768037-4
STB03-6-8	7-1768037-9
STB03-7-8	8-1768037-4
STB03-8-0	8-1768037-5
STB03-8-3	6-1768412-1
STB03-9-3	6-1768412-2
STB03-9-8	9-1768037-2
STB03-V-6	1-1768038-5

THIS DRAWING IS A CONTROLLED DOCUMENT.

DWN 23MAR2013 RAGHAVENDRA K

CHK 23MAR2013 KEAN ALAN

APVD 23MAR2013 MARIO APPELLO

PRODUCT SPEC

APPLICATION SPEC

WEIGHT

STE TE Connectivity Ltd.

NAME SNAP-ON MARKER STB/STD SIZE 03 WITH APPLICATOR

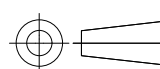
SIZE CAGE CODE DRAWING NO RESTRICTED TO

A3 C2290 C-3-1198178-7

CUSTOMER DRAWING SCALE NTS SHEET 3 OF 4 REV 3

DIMENSIONS: mm

TOLERANCES UNLESS OTHERWISE SPECIFIED:



- 0 PLC ± -
- 1 PLC ± -
- 2 PLC ± -
- 3 PLC ± -
- 4 PLC ± -
- ANGLES ± -
- FINISH

MATERIAL

# Mouser Electronics

Authorized Distributor

Click to View Pricing, Inventory, Delivery & Lifecycle Information:

[TE Connectivity:](#)

[5-1768042-6](#)