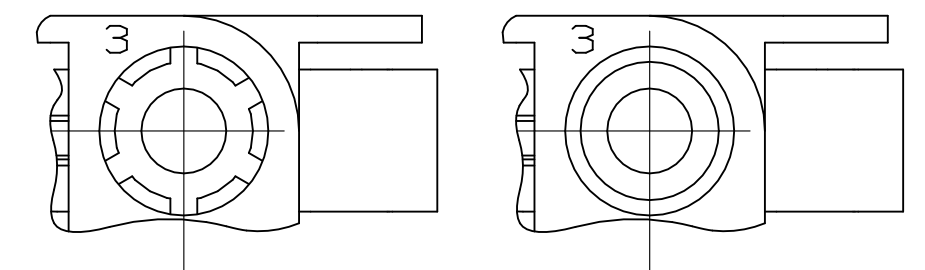
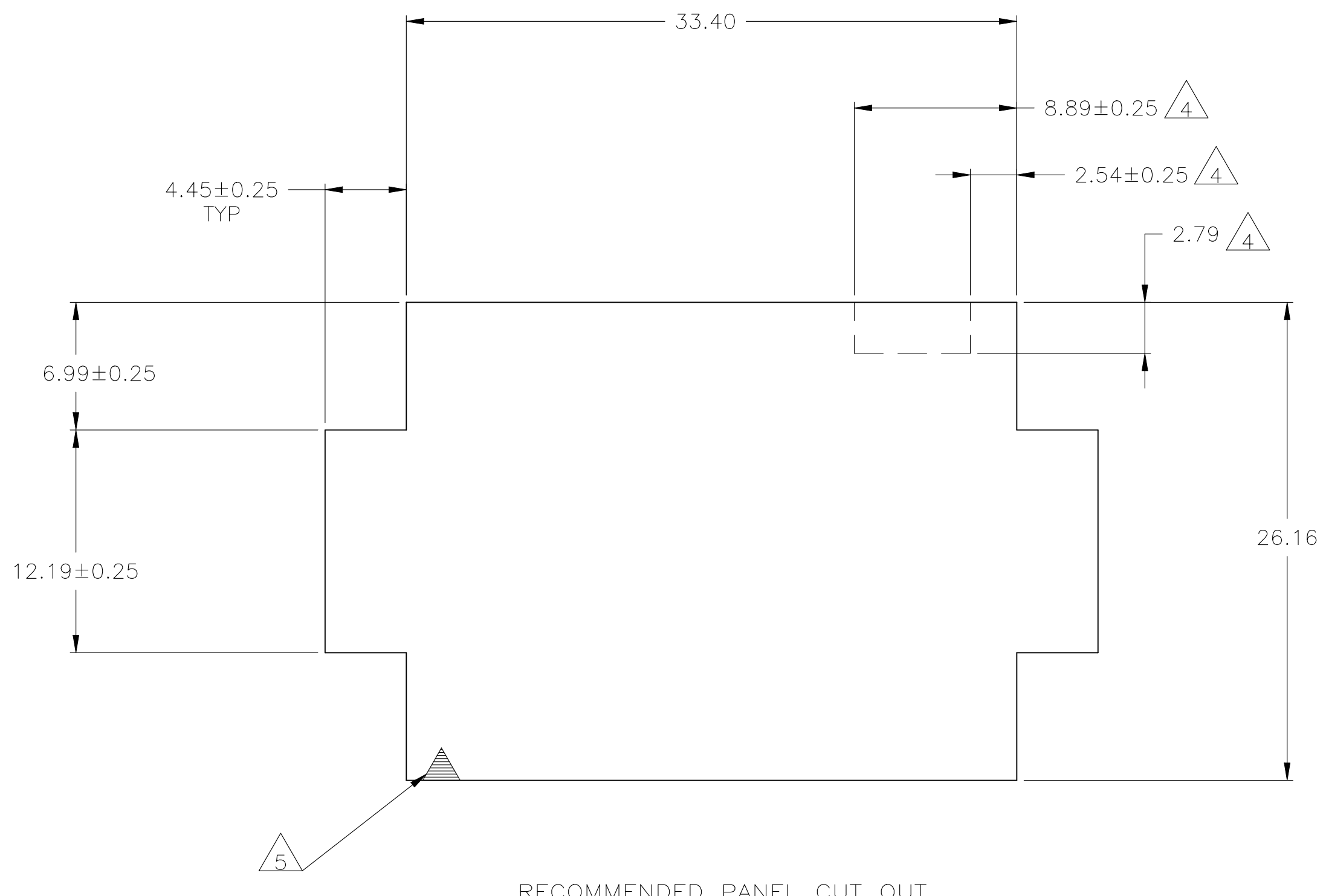
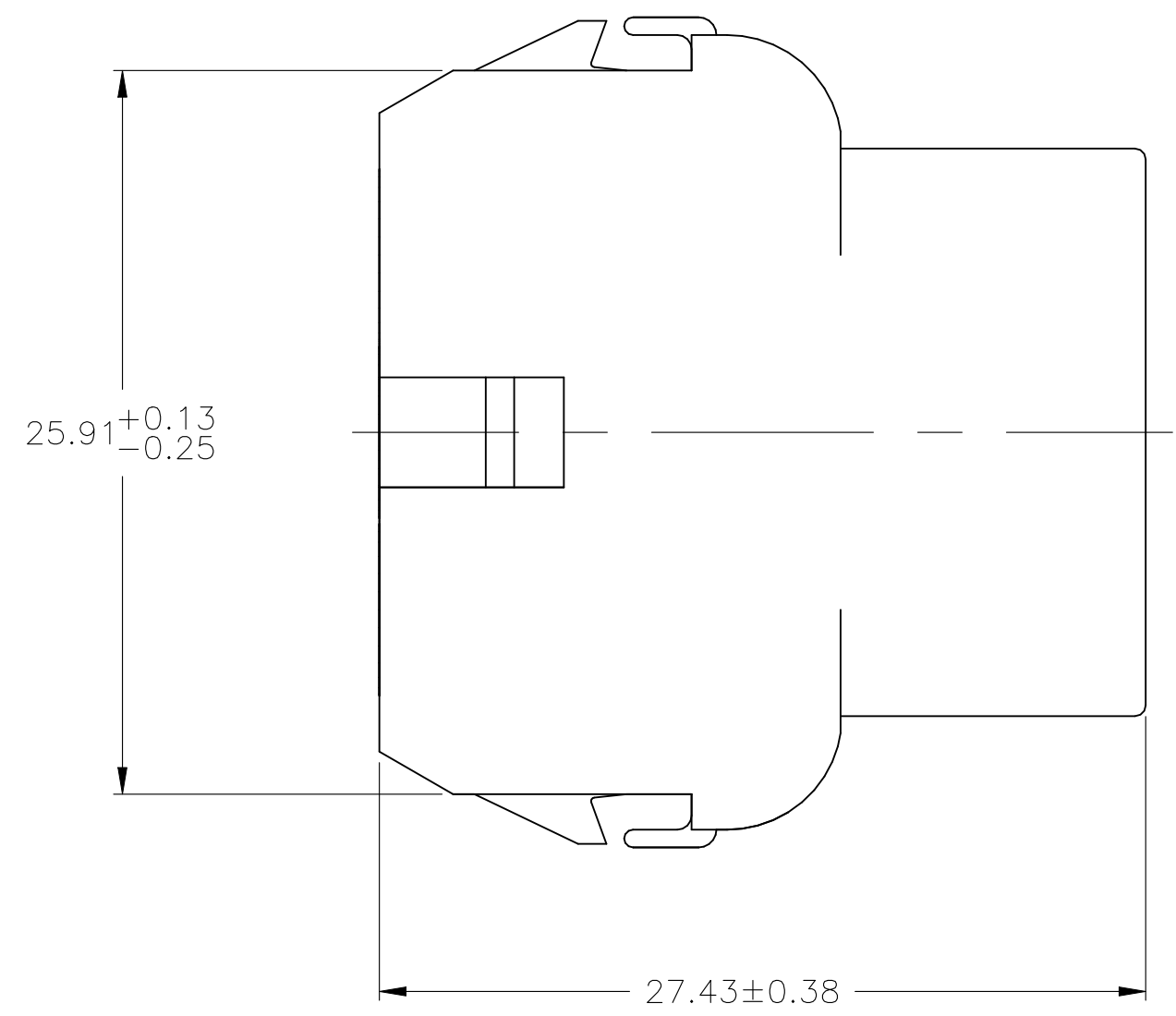


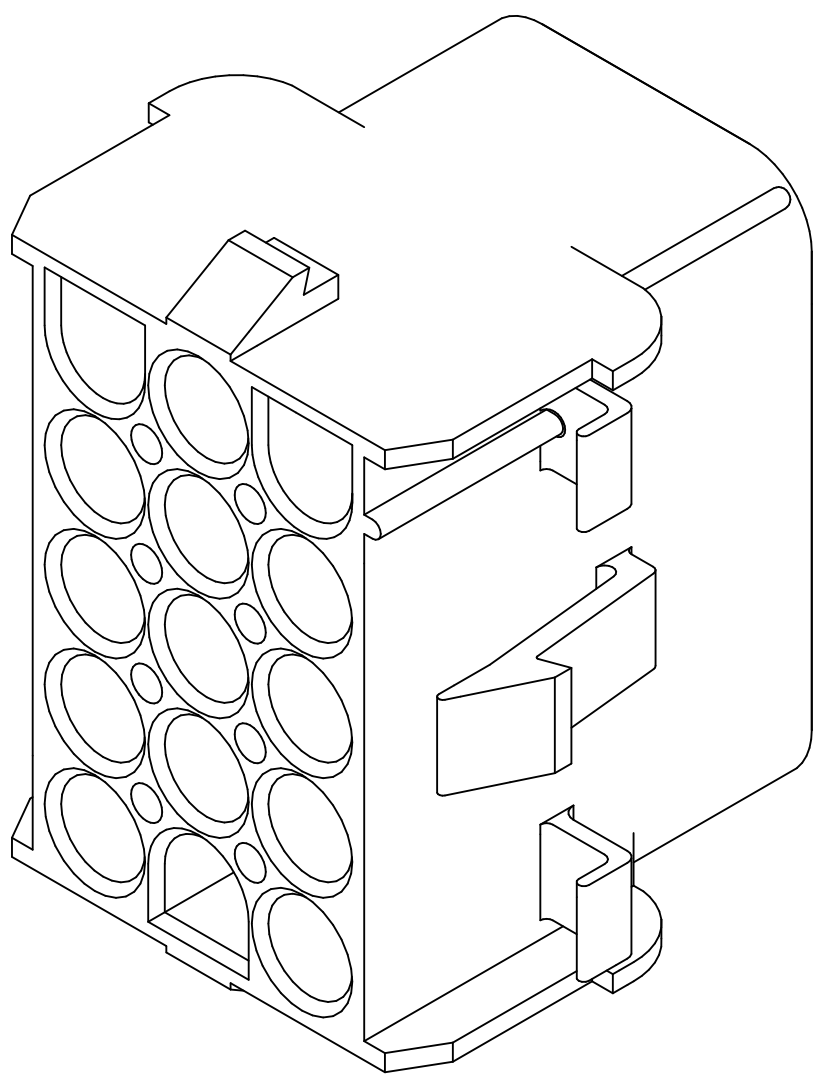
1. MATES WITH APPROPRIATE UNIVERSAL MATE-N-LOK™ PLUG.
2. RECOMMENDED PANEL THICKNESS 0.76 - 2.29.
3. PANEL MUST BE PUNCHED SO THAT THE HOUSING ENTERS THE PANEL IN THE SAME DIRECTION AS THE PUNCH.
4. OPTIONAL FOR KEYING HOUSING IN PANEL.
5. CIRCUIT NUMBER 1 LOCATION.
6. DIMENSIONS SHOWN REPRESENT PRODUCT IN DRY, AS MOLDED, CONDITION. ADDITIONAL 2% GROWTH DUE TO SUBSEQUENT MOISTURE ABSORPTION MAY OCCUR AND SHOULD BE ACCOUNTED FOR.
7. FOUR RIBS EQUALLY SPACED, NO SPECIFIC ORIENTATION. NO RIBS OR SIX RIBS EQUALLY SPACED, NO SPECIFIC ORIENTATION, OPTIONAL.
8. UNDERWRITERS RECOGNIZED COMPONENT LOGO AND CSA CERTIFICATION LOGO TO BE LOCATED ONCE EACH ON SIDE OF HOUSING.



DETAIL A
OPTIONAL CONSTRUCTIONS



RECOMMENDED PANEL CUT OUT



3-DIMENSIONAL MODEL
NTS

6.99	.275	33.40	1.315
4.45	.175	33.02	1.300
2.79	.110	27.43	1.080
2.54	.100	26.16	1.030
2.29	.090	25.91	1.020
0.76	.030	20.32	.800
0.38	.015	12.19	.480
0.25	.010	8.89	.350
0.13	.005	8.13	.320
MM	IN	MM	IN

CONVERSION TABLE

	BLACK	1-350784-9
OBSOLETE	GRAY	1-350784-8
OBSOLETE	BLUE	1-350784-6
OBSOLETE	GREEN	1-350784-5
OBSOLETE	YELLOW	1-350784-4
OBSOLETE	ORANGE	1-350784-3
OBSOLETE	RED	1-350784-2
OBSOLETE	BROWN	1-350784-1
	NATURAL	350784-1
	COLOR	PART NUMBER

THIS DRAWING IS A CONTROLLED DOCUMENT.

DIMENSIONS:	TOLERANCES UNLESS OTHERWISE SPECIFIED:	DIN K. WHITAKER 28MAY92	CM 53
mm	0. PLC ± -	CHK R. SWING 28MAY92	
	1. PLC ± -	APP'D D. SELF 28MAY92	
	2. PLC ± 0.13	NAME	CAP.15 CIRCUIT, UNIVERSAL MATE-N-LOK™
	3. PLC ± -	APPLICATION SPEC	
	4. PLC ± -	SIZE	A1
	ANGLES ± 1°	WEIGHT	00779
MATERIAL NYLON,UL 94V-0	FINISH -	CAGE CODE	350784
		DRAWING NO	350784
		RESTRICTED TO	
		CUSTOMER DRAWING	

SCALE 4:1 SHEET 1 of 1 REV V

Mouser Electronics

Authorized Distributor

Click to View Pricing, Inventory, Delivery & Lifecycle Information:

[TE Connectivity:](#)

[1-350784-9](#)