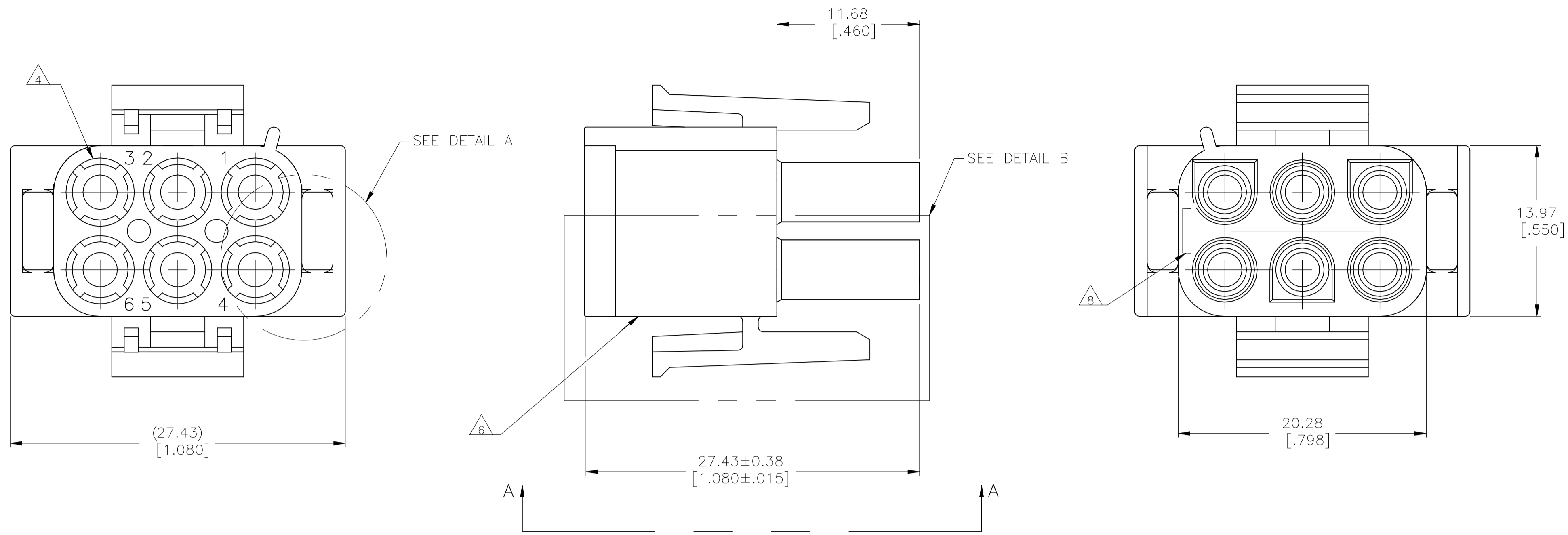
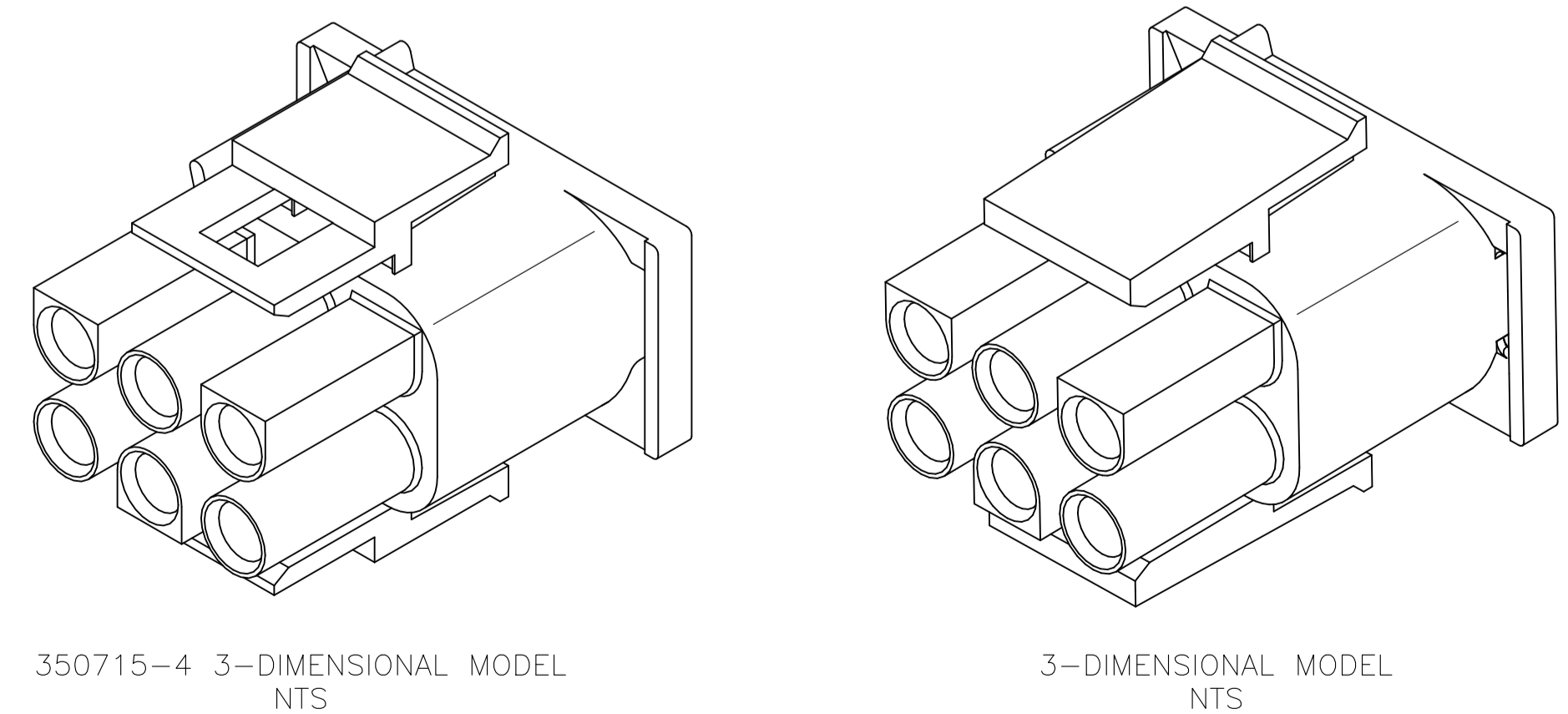
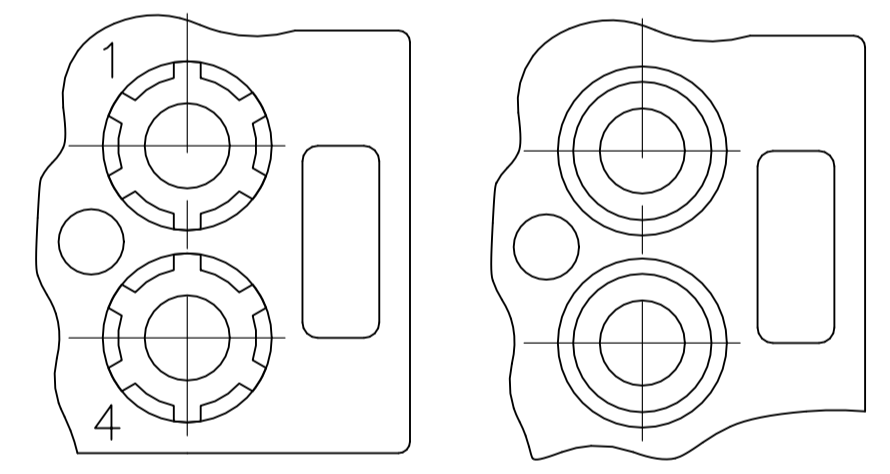
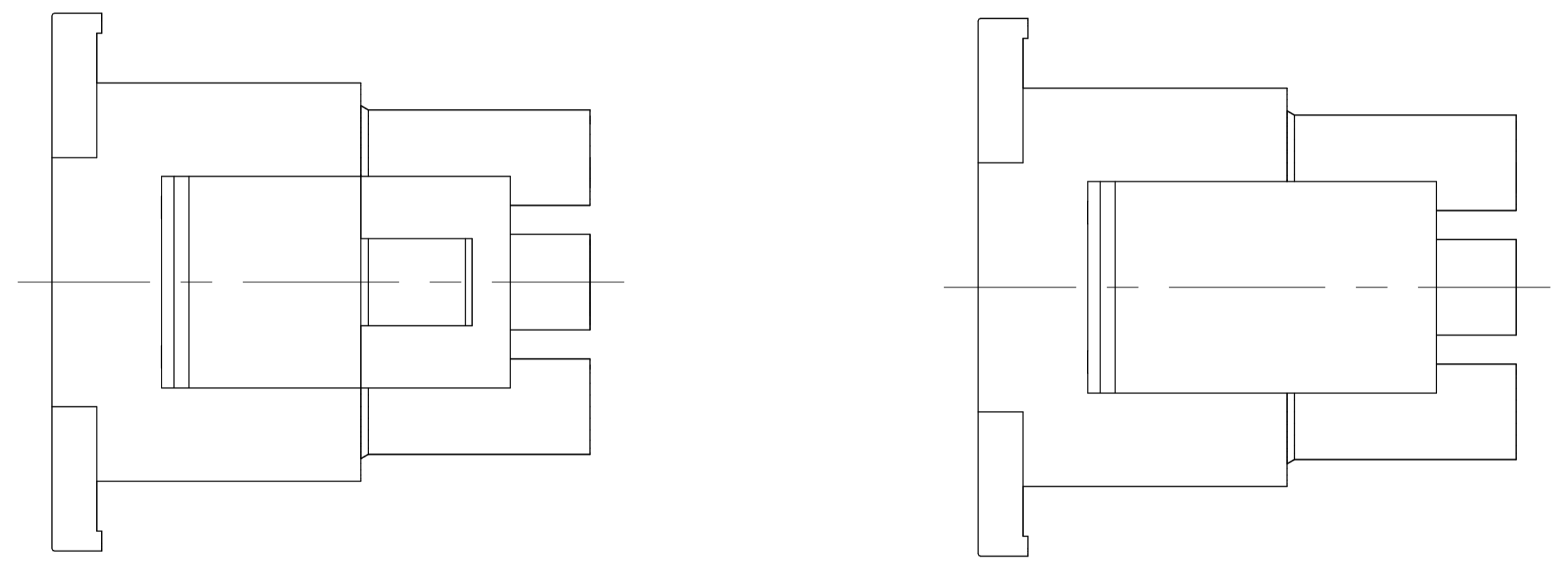


REVISIONS				
REV	DATE	DESCRIPTION	BY	APP'D
Z	15APR2021	REVISED PER ECR-21-100624	PC	JS



- MATES WITH APPROPRIATE UNIVERSAL MATE-N-LOK CAP OR HEADER.
- SMALL NICKS ARE PERMITTED ON THE CIRCUIT TOWERS WHICH COULD INCREASE THE INITIAL HOUSING MATING FORCE BY UP TO 4.4 NEWTONS [1.0 LBS]. NO INDIVIDUAL NICKED TOWER SHALL INCREASE THIS FORCE BY OVER 2.2 NEWTONS [.5 LBS].
- DIMENSIONS SHOWN REPRESENT PRODUCT IN DRY, AS MOLDED, CONDITION. ADDITIONAL 2% GROWTH DUE TO SUBSEQUENT MOISTURE ABSORPTION MAY OCCUR AND SHOULD BE ACCOUNTED FOR.
- FOUR RIBS EQUALLY SPACED, NO SPECIFIC ORIENTATION. NO RIBS OR SIX RIBS EQUALLY SPACED, NO SPECIFIC ORIENTATION, OPTIONAL.
- NOT MANUFACTURED IN THE US. NATURAL COLOR OF 350715-4 MAY DIFFER FROM 350715-1 VERSION.
- UNDERWRITERS RECOGNIZED COMPONENT LOGO AND CSA CERTIFICATION LOGO TO BE LOCATED ONCE EACH ON SIDE OF HOUSING.
- MANUFACTURING LOCATION ID ON SIDE OF HOUSING (OPTIONAL).
- TRADEMARK LOCATION (AMP OR TE CONNECTIVITY).



OBSOLETE	—BLACK	1-350715-9
OBSOLETE	—GRAY	1-350715-8
OBSOLETE	—BLUE	1-350715-6
OBSOLETE	—GREEN	1-350715-5
OBSOLETE	—YELLOW	1-350715-4
OBSOLETE	—ORANGE	1-350715-3
	RED	1-350715-2
	BROWN	1-350715-1
	△ NATURAL	350715-4
	NATURAL	350715-1
	COLOR	PART NUMBER

THIS DRAWING IS A CONTROLLED DOCUMENT.

DIMENSIONS: mm [INCHES]	TOLERANCES UNLESS OTHERWISE SPECIFIED: 0. PLC ± - 1. PLC ± - 2. PLC ± 0.13 [.005] 3. PLC ± - 4. PLC ± - ANGLES ± -	DIN S. HOOVER 14APR04 CHK S. RIDGILL 14APR04 APP'D S. RIDGILL 14APR04	NAME PLUG, 6 CIRCUIT, UNIVERSAL MATE-N-LOK(TM)
MATERIAL NYLON, UL 94V-0	FINISH -	WEIGHT 0	RESTRICTED TO -
CUSTOMER DRAWING		SCALE 4:1	SHEET 1 of 1

STE TE Connectivity

00779 350715

Mouser Electronics

Authorized Distributor

Click to View Pricing, Inventory, Delivery & Lifecycle Information:

[TE Connectivity:](#)

[1-350715-1](#)