

4

3

2

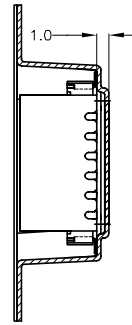
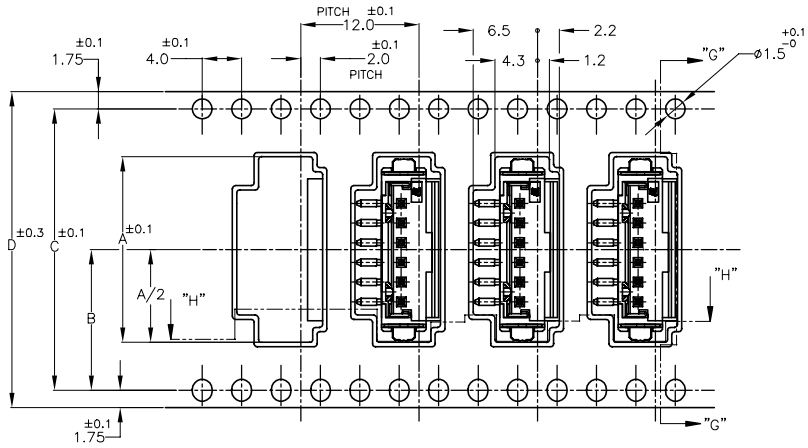
1

© TE Connectivity. All Rights Reserved.

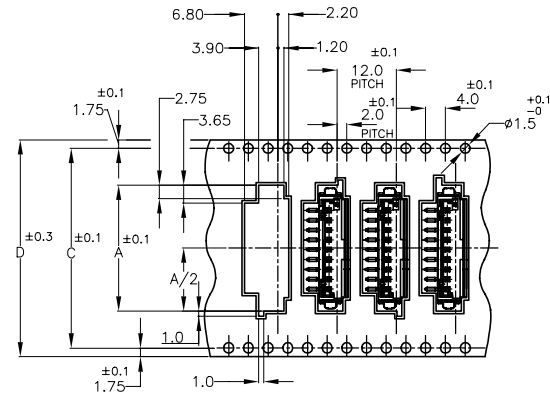
REVISIONS

P	LTR	DESCRIPTION	DATE	DWN	APVD
	B3	ECR-21-101067	06APR2021	T.Q	N.S

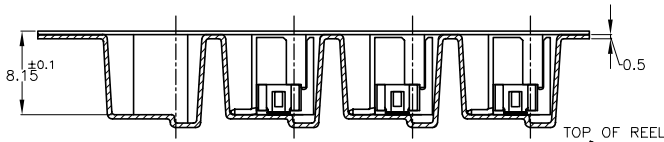
(AS SHOWN : -6)



SECT "G"- "G"



9P ONLY



SECT "H"- "H"

TOP OF REEL

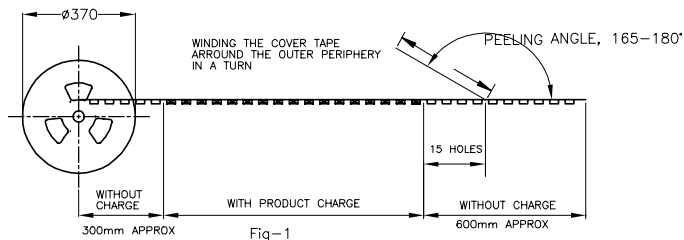


Fig-1

COLOR	PLATE	D	C	B	A	QTY/REEL	POS	TAPING P/N	
								9	2-292175-9
BLACK		44.0	40.50	20.25	25.60	9	2-	2-292175-9	-8
		44.0	40.4	20.2	22.9	8	2-	-	-7
		32.0	28.4	14.2	20.9	7	2-	-	-6
		32.0	28.4	14.2	18.9	6	2-	-	-5
		32.0	28.4	14.2	16.9	5	2-	-	-4
		32.0	28.4	14.2	14.9	4	2-	-	-3
NATURAL	WITH	32.0	28.4	14.2	10.9	700	2	2-292175-2	-
		44.0	40.50	20.25	25.60	9		292175-9	-8
		44.0	40.4	20.2	22.9	8		-	-7
		32.0	28.4	14.2	20.9	7		-	-6
		32.0	28.4	14.2	18.9	6		-	-5
		32.0	28.4	14.2	16.9	5		-	-4
	32.0	28.4	14.2	14.9	4		-	-3	
	WITH	32.0	28.4	14.2	10.9	700	2	292175-2	-

- NOTES:
1. PEELING RESISTANCE: 0.196N(20gf)-0.686N(70gf)
SPEED: 300mm/min

TOLERANCE UNLESS OTHERWISE SPECIFIED

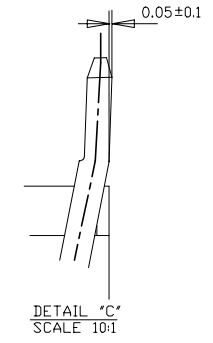
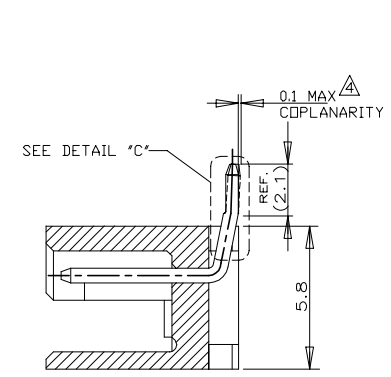
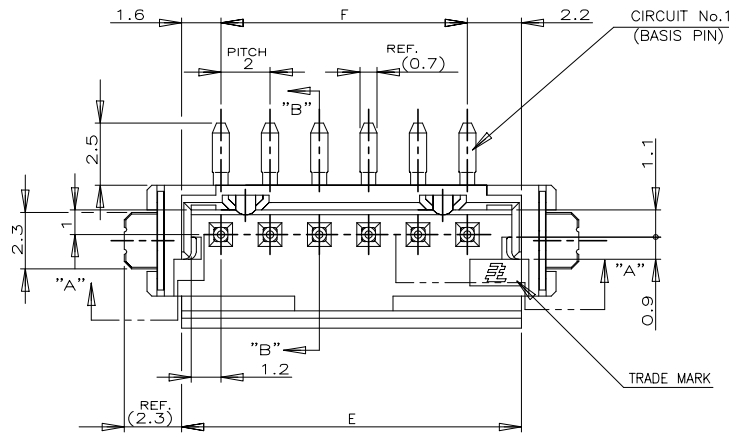
10>* ±0.2
30>*10 ±0.25
100>*30 ±0.3
ANGLE ±3°

THIS DRAWING IS A CONTROLLED DOCUMENT.

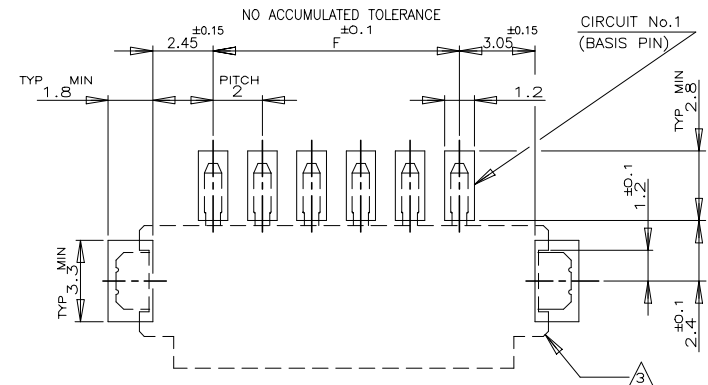
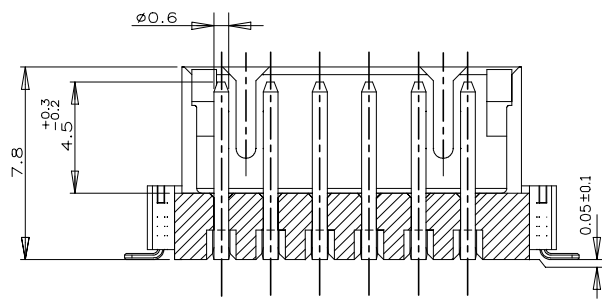
DIMENSIONS: mm	TOLERANCES UNLESS OTHERWISE SPECIFIED:	DWN JACH HOU 19SEP10	TE Connectivity
	0 PLC ±	CHK MARTIN LI 19SEP10	
	1 PLC ±	APVD STEVEN YAO 19SEP10	
	2 PLC ±	NAME	
	3 PLC ±	PRODUCT SPEC	
MATERIAL	FINISH	APPLICATION SPEC	108-60016
		WEIGHT	A3 00779 C-292175
		CUSTOMER DRAWING	SCALE --- SHEET 1 of 3 REV B3

REVISIONS

P	LTR	DESCRIPTION	DATE	DWN	APVD
-	-	SEE SHEET 1	-	-	-

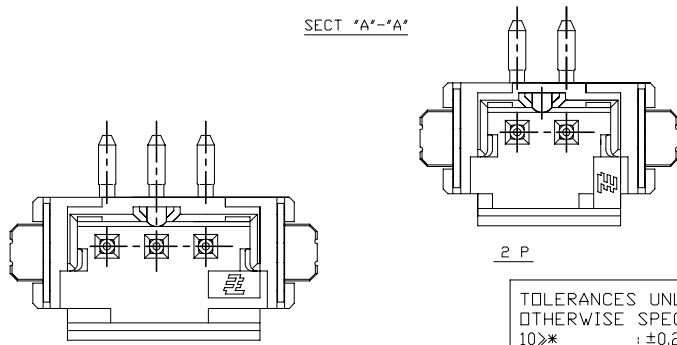


- NOTES:
- MATERIAL:HSG-NYLON (UL94V-0)
COLOR:NATURAL,BLACK
POST:TIN BRASS
TAIL: TIN BRASS
 - △ OCCUPANT AREA ON PC BOARD
△ TO BE MEASURED WITH CONNECTOR PLACED ON HORIZONTAL DATUM SURFACE, FLOAT OF SOLDER TINE AND TAIL FROM DATUM SURFACE IS 0.1mm MAX



RECOMENOD P.C.BOARD LAYOUT
(P.C.B THK:0.8mm MIN)

16.0	19.8	9	2-292175-9	292175-9
14.0	17.8	8	2- -8	-8
12.0	15.8	7	2- -7	-7
10.0	13.8	6	2- -6	-6
8.0	11.8	5	2- -5	-5
6.0	9.8	4	2- -4	-4
4.0	7.8	3	2- -3	-3
2.0	5.8	2	2-292175-2	292175-2
F	E	POS.	BLACK	NATURAL
P/N				



TOLERANCES UNLESS OTHERWISE SPECIFIED:

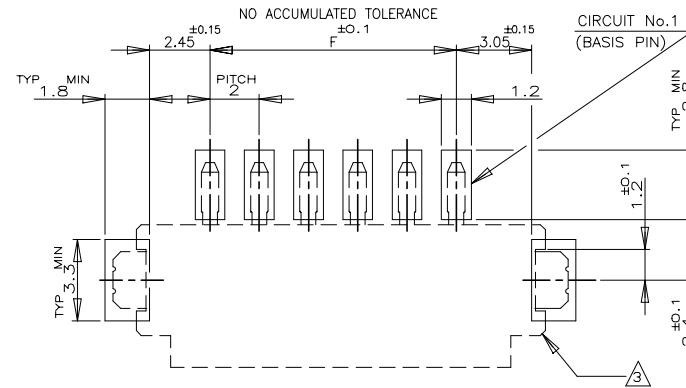
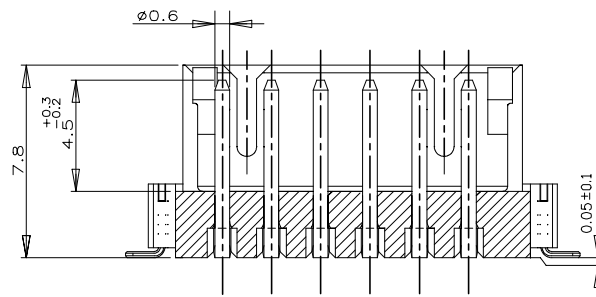
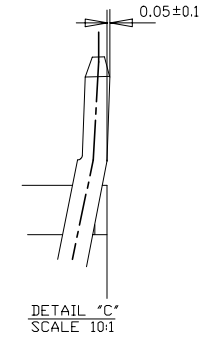
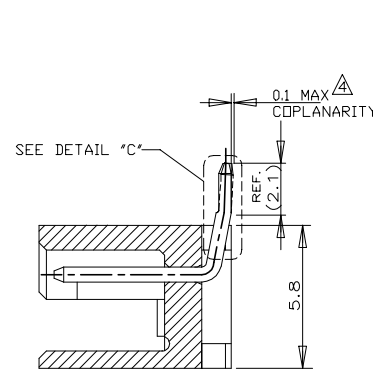
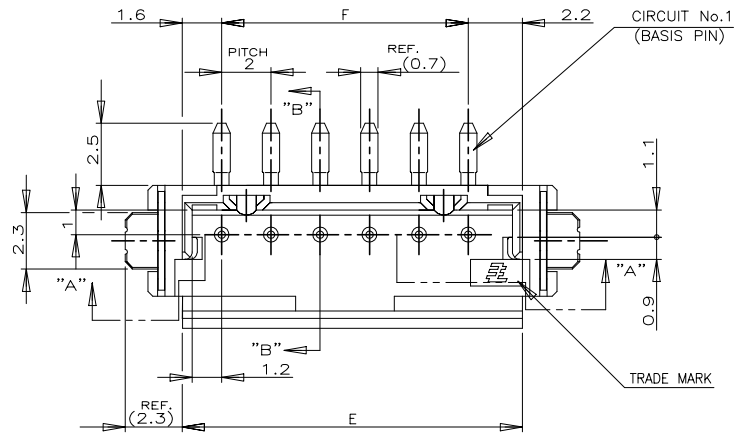
10**	: ±0.2
30**>10	: ±0.25
100**>30	: ±0.3
ANGEL	: ±3°

THIS DRAWING IS A CONTROLLED DOCUMENT.		DWN	JACH HOU	19SEP10
DIMENSIONS:		CHK	MARTIN LI	19SEP10
mm	TOLERANCES UNLESS OTHERWISE SPECIFIED:	APVD	STEVEN YAO	19SEP10
0 PLC	±	NAME	ON TAPING (EMBOSS)	
1 PLC	±	PRODUCT SPEC	TE CT CONNECTOR POST HEADER ASS'Y	
2 PLC	±	APPLICATION SPEC	(BOX-V SMT W/O BOSS & W/TAI)	
3 PLC	±	WEIGHT	SIZE	A3
4 PLC	±	CUSTOMER DRAWING	CAGE CODE	00779
ANGLES	±	SCALE	DRAWING NO	C-292175
FINISH	±	SHEET	RESTRICTED TO	-
		SCALE		2 of 3
		SHEET		REV B3



REVISIONS

P	LTR	DESCRIPTION	DATE	DWN	APVD
-	-	SEE SHEET 1	-	-	-

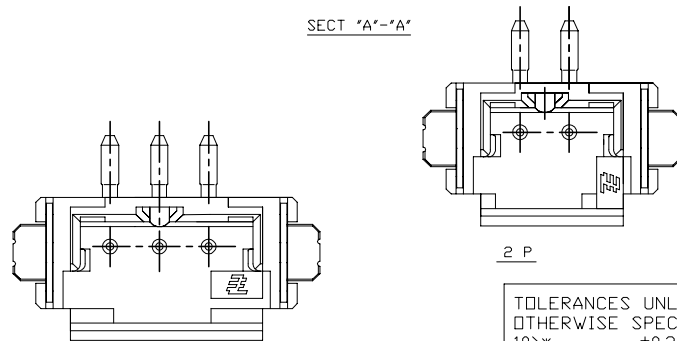


NOTES:

- MATERIAL:HSG-NYLON (UL94V-0)
COLOR:NATURAL, BLACK
POST:TIN BRASS
TAIL: TIN BRASS
- △ OCCUPANT AREA ON PC BOARD
- △ TO BE MEASURED WITH CONNECTOR PLACED ON HORIZONTAL DATUM SURFACE, FLOAT OF SOLDER TINE AND TAIL FROM DATUM SURFACE IS 0.1mm MAX

RECOMENGD P.C.BOARD LAYOUT
(P.C.B THK:0.8mm MIN)

10.0	13.8	6	2-292175-6	292175-6
F	E	POS.	BLACK	NATURAL
P/N				



TOLERANCES UNLESS OTHERWISE SPECIFIED:

10**	: ±0.2
30**>10	: ±0.25
100**>30	: ±0.3
ANGEL	: ±3°

THIS DRAWING IS A CONTROLLED DOCUMENT.

DIMENSIONS:
mm

TOLERANCES UNLESS OTHERWISE SPECIFIED:

0 PLC	±
1 PLC	±
2 PLC	±
3 PLC	±
4 PLC	±
ANGLES	±
FINISH	±

MATERIAL

DWN JACH HOU 19SEP10
CHK MARTIN LI 19SEP10
APVD STEVEN YAO 19SEP10
PRODUCT SPEC
108-60016
APPLICATION SPEC

WEIGHT

CUSTOMER DRAWING

DWN JACH HOU 19SEP10
CHK MARTIN LI 19SEP10
APVD STEVEN YAO 19SEP10
NAME
ON TAPING (EMBOSS)
TE CT CONNECTOR POST HEADER ASS'Y
(BOX-V SMT W/O BOSS & W/TAI)

SIZE A3
CAGE CODE 00779
DRAWING NO C-292175
RESTRICTED TO

SCALE SHEET 3 of 3 REV B3

Mouser Electronics

Authorized Distributor

Click to View Pricing, Inventory, Delivery & Lifecycle Information:

[TE Connectivity:](#)

[2-292175-4](#)