

4

3

2

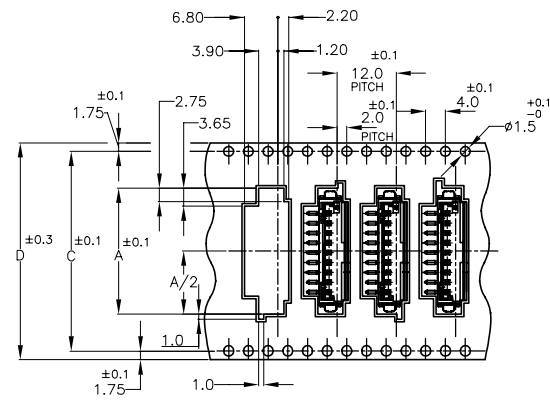
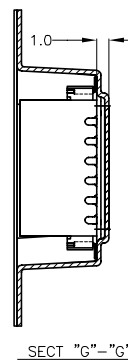
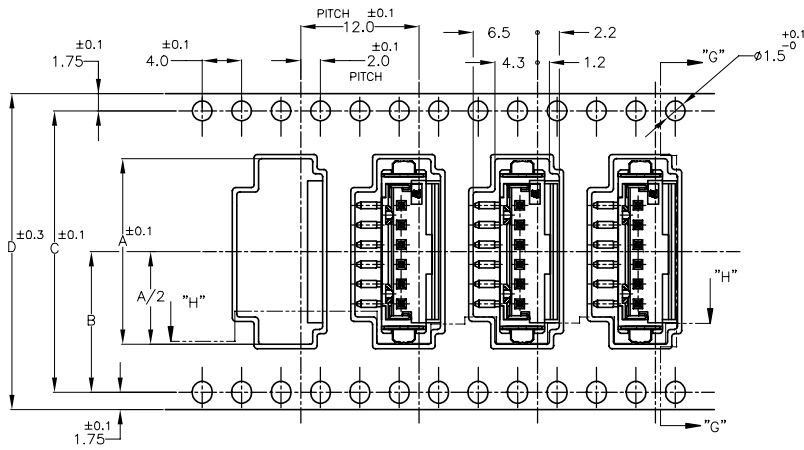
1

© TE Connectivity. All Rights Reserved.

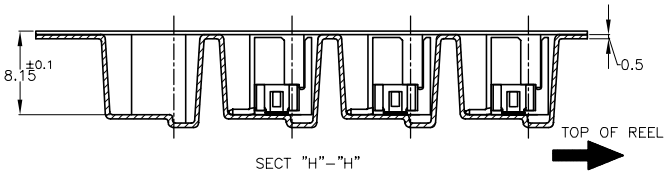
REVISIONS

P	LTR	DESCRIPTION	DATE	DWN	APVD
	B3	ECR-21-101067	06APR2021	T.Q	N.S

(AS SHOWN : -6)



9P ONLY



TOP OF REEL

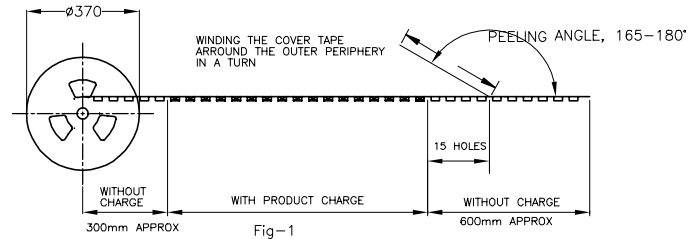


Fig-1

OBSOLETE	BLACK	DIMENSIONS (mm)				9	2-292175-9
		44.0	40.50	20.25	25.60		
		44.0	40.4	20.2	22.9	8	2- -8
		32.0	28.4	14.2	20.9	7	2- -7
		32.0	28.4	14.2	18.9	6	2- -6
		32.0	28.4	14.2	16.9	5	2- -5
		32.0	28.4	14.2	14.9	4	2- -4
		32.0	28.4	14.2	12.9	3	2- -3
	WITH	32.0	28.4	14.2	10.9	700	2-292175-2
	NATURAL	44.0	40.50	20.25	25.60	9	292175-9
		44.0	40.4	20.2	22.9	8	-8
		32.0	28.4	14.2	20.9	7	-7
		32.0	28.4	14.2	18.9	6	-6
		32.0	28.4	14.2	16.9	5	-5
		32.0	28.4	14.2	14.9	4	-4
		32.0	28.4	14.2	12.9	3	-3
	WITH	32.0	28.4	14.2	10.9	700	292175-2
COLOR	PLATE	D	C	B	A	QTY/REEL	POS TAPING P/N

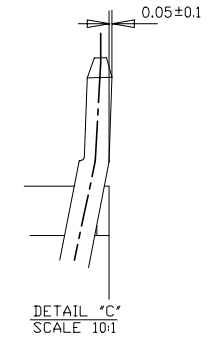
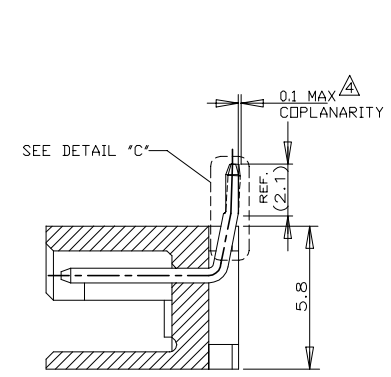
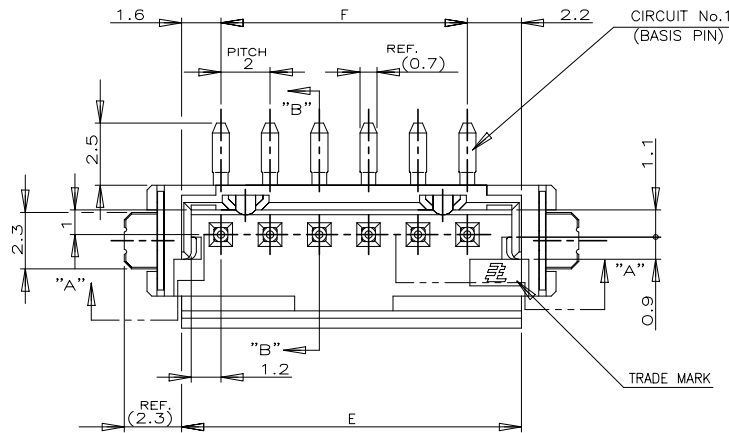
NOTES:
 1. PEELING RESISTANCE: 0.196N(20gf)-0.686N(70gf)
 SPEED: 300mm/min

TOLERANCE UNLESS OTHERWISE SPECIFIED
 10>* ±0.2
 30>*10 ±0.25
 100>*30 ±0.3
 ANGLE ±3°

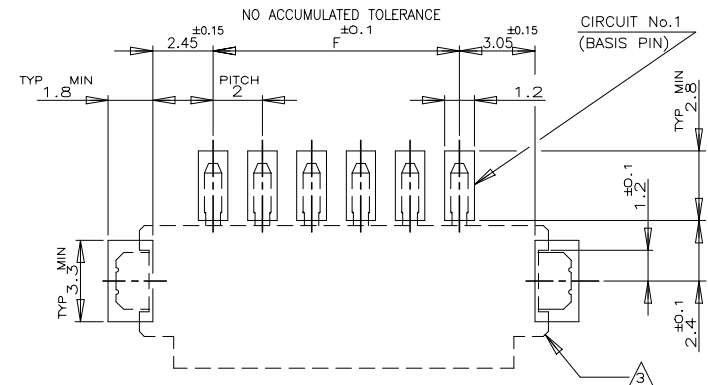
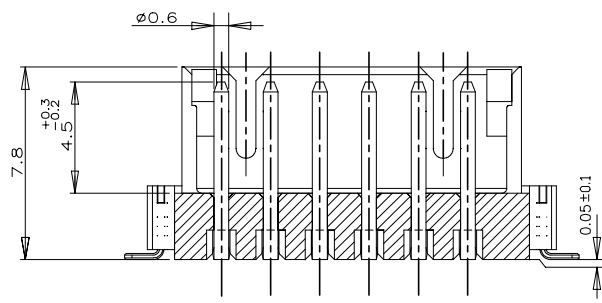
THIS DRAWING IS A CONTROLLED DOCUMENT.		DWN JACH HOU 19SEP10	TE Connectivity	
DIMENSIONS: mm		CHK MARTIN LI 19SEP10	ON TAPING TE CT CONNECTOR POST HEADER ASSY BOX V SMT	
TOLERANCES UNLESS OTHERWISE SPECIFIED: 0 PLC ± 1 PLC ± 2 PLC ± 3 PLC ± 4 PLC ± ANGLES ± FINISH ±		APVD STEVEN YAO 19SEP10	RESTRICTED TO	
MATERIAL		PRODUCT SPEC 108-60016	SIZE A3	CAGE CODE 00779
		APPLICATION SPEC	DRAWING NO C-292175	SHEET 1 of 3
		WEIGHT	CUSTOMER DRAWING	REV B3
		SCALE 1:1	SHEET	REV

REVISIONS

P	LTR	DESCRIPTION	DATE	DWN	APVD
-	-	SEE SHEET 1	-	-	-

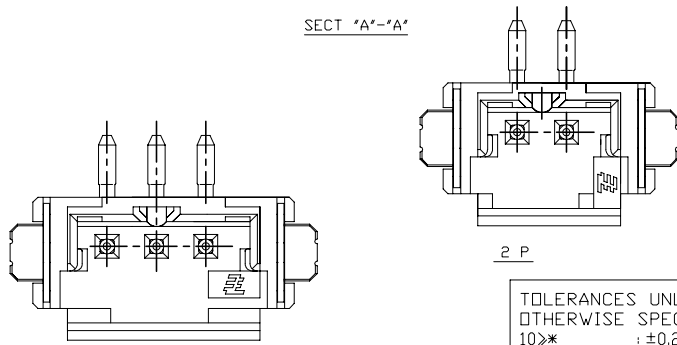


- NOTES:
- MATERIAL:HSG-NYLON (UL94V-0)
COLOR:NATURAL, BLACK
POST:TIN BRASS
TAIL: TIN BRASS
 - △ OCCUPANT AREA ON PC BOARD
△ TO BE MEASURED WITH CONNECTOR PLACED ON HORIZONTAL DATUM SURFACE, FLOAT OF SOLDER TINE AND TAIL FROM DATUM SURFACE IS 0.1mm MAX



RECOMENOD P.C.BOARD LAYOUT
(P.C.B THK:0.8mm MIN)

16.0	19.8	9	2-292175-9	292175-9
14.0	17.8	8	2- -8	-8
12.0	15.8	7	2- -7	-7
10.0	13.8	6	2- -6	-6
8.0	11.8	5	2- -5	-5
6.0	9.8	4	2- -4	-4
4.0	7.8	3	2- -3	-3
2.0	5.8	2	2-292175-2	292175-2
F	E	POS.	BLACK	NATURAL
P/N				



TOLERANCES UNLESS OTHERWISE SPECIFIED:

10**	: ±0.2
30**>10	: ±0.25
100**>30	: ±0.3
ANGEL	: ±3°

THIS DRAWING IS A CONTROLLED DOCUMENT.		DWN	JACH HOU	19SEP10
DIMENSIONS:		CHK	MARTIN LI	19SEP10
mm	TOLERANCES UNLESS OTHERWISE SPECIFIED:	APVD	STEVEN YAO	19SEP10
	0 PLC ±	NAME	ON TAPING (EMBOSS)	
	1 PLC ±	PRODUCT SPEC	TE CT CONNECTOR POST HEADER ASS'Y	
	2 PLC ±	APPLICATION SPEC	(BOX-V SMT W/O BOSS & W/TAI)	
	3 PLC ±	WEIGHT	108-60016	
	4 PLC ±	CUSTOMER DRAWING		
	ANGLES ±	SCALE	A3	
MATERIAL	FINISH	SHEET	00779	
		REV	C-292175	
			2 of 3	B3

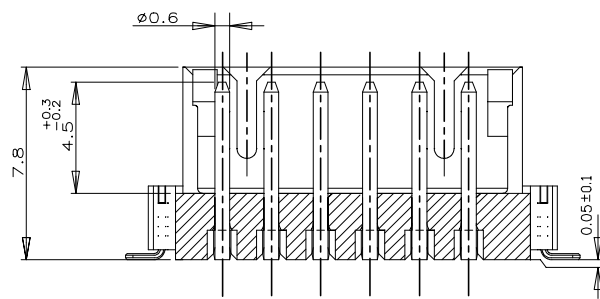
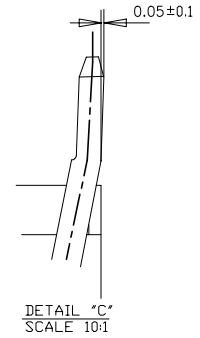
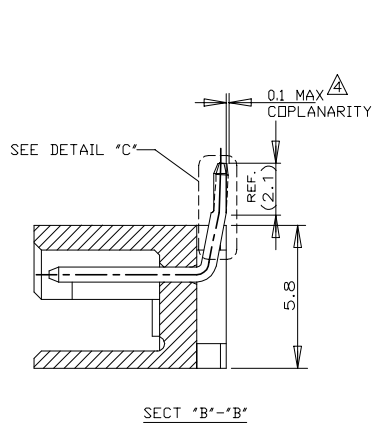
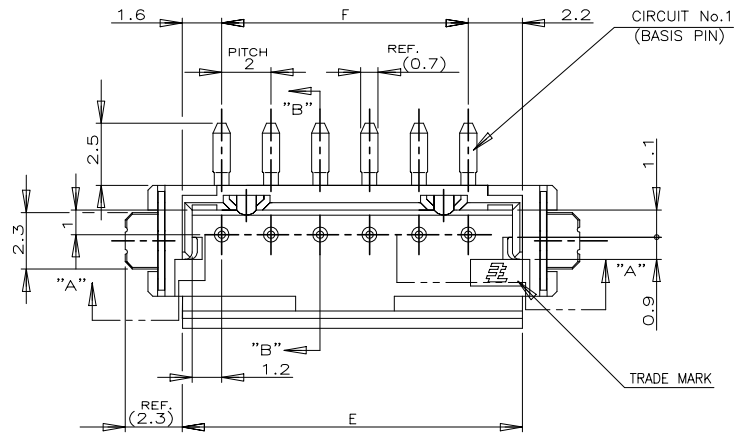


SIZE	CAGE CODE	DRAWING NO	RESTRICTED TO
A3	00779	C-292175	-
SCALE		SHEET	REV
		2 of 3	B3

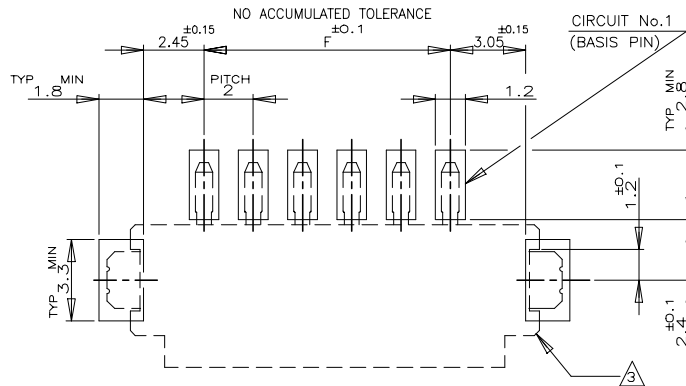
4 3 2 1

© TE Connectivity. All Rights Reserved.

REVISIONS				
P	LTR	DESCRIPTION	DATE	APVD
-	-	SEE SHEET 1	-	-



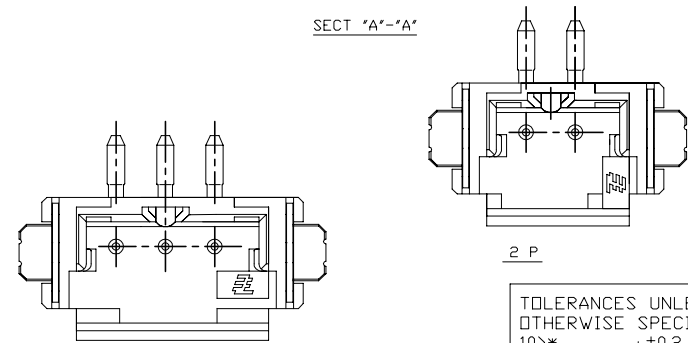
SECT "A"-A'



RECOMMENDED P.C. BOARD LAYOUT
(P.C.B THK:0.8mm MIN)

NOTES:

- MATERIAL:HSG-NYLON (UL94V-0)
COLOR:NATURAL, BLACK
POST:TIN BRASS
TAIL: TIN BRASS
- △ OCCUPANT AREA ON PC BOARD
- △ TO BE MEASURED WITH CONNECTOR PLACED ON HORIZONTAL DATUM SURFACE, FLOAT OF SOLDER TINE AND TAIL FROM DATUM SURFACE IS 0.1mm MAX



TOLERANCES UNLESS OTHERWISE SPECIFIED:	
10** >10	: ±0.2
30** >10	: ±0.25
100** >30	: ±0.3
ANGEL	: ±3°

THIS DRAWING IS A CONTROLLED DOCUMENT.		DWN JACH HOU 19SEP10
DIMENSIONS: mm		CHK MARTIN LI 19SEP10
TOLERANCES UNLESS OTHERWISE SPECIFIED:		APVD STEVEN YAO 19SEP10
0 PLC	±	NAME
1 PLC	±	ON TAPING (EMBOSS)
2 PLC	±	TE CT CONNECTOR POST HEADER ASS'Y
3 PLC	±	(BOX-V SMT W/O BOSS & W/TAI)
4 PLC	±	SIZE A3 CAGE CODE 00779 DRAWING NO C-292175 RESTRICTED TO
ANGLES	±	WEIGHT
FINISH	±	CUSTOMER DRAWING SCALE SHEET 3 of 3 REV B3

10.0	13.8	6	2-292175-6	292175-6
F	E	POS.	BLACK	NATURAL
P/N				

TE TE Connectivity				
ON TAPING (EMBOSS)				
TE CT CONNECTOR POST HEADER ASS'Y				
(BOX-V SMT W/O BOSS & W/TAI)				
SIZE	CAGE CODE	DRAWING NO	RESTRICTED TO	
A3	00779	C-292175	-	
CUSTOMER DRAWING			SCALE	SHEET 3 of 3 REV B3

Mouser Electronics

Authorized Distributor

Click to View Pricing, Inventory, Delivery & Lifecycle Information:

[TE Connectivity:](#)

[292175-7](#)