

4

3

2

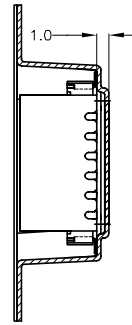
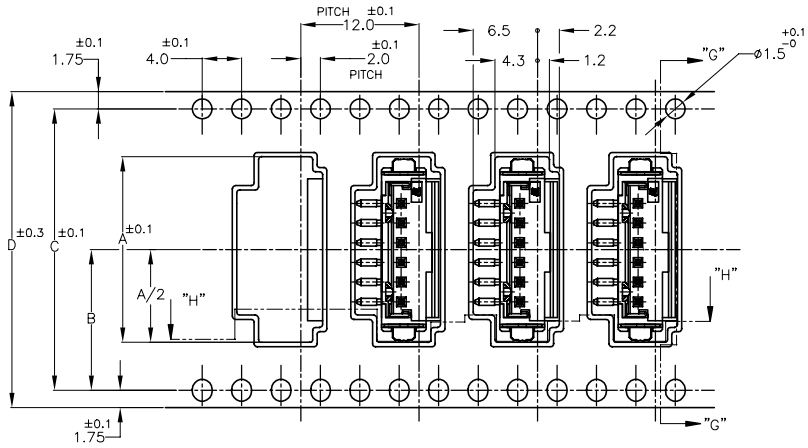
1

© - TE Connectivity. All Rights Reserved.

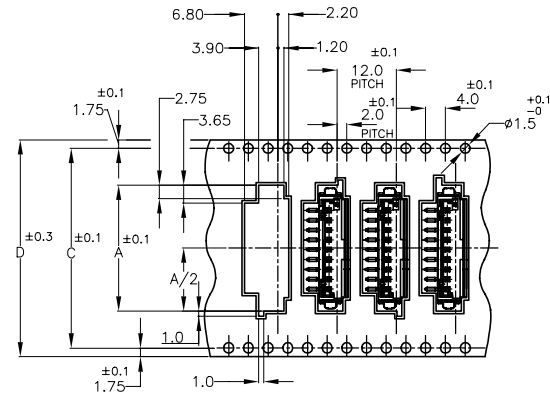
REVISIONS

P	LTR	DESCRIPTION	DATE	DWN	APVD
	B3	ECR-21-101067	06APR2021	T.Q	N.S

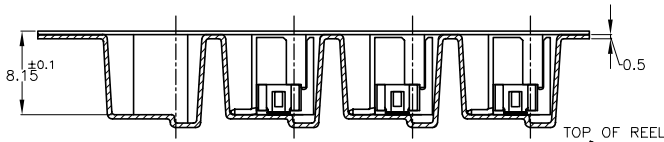
(AS SHOWN : -6)



SECT "G"- "G"



9P ONLY



SECT "H"- "H"

TOP OF REEL

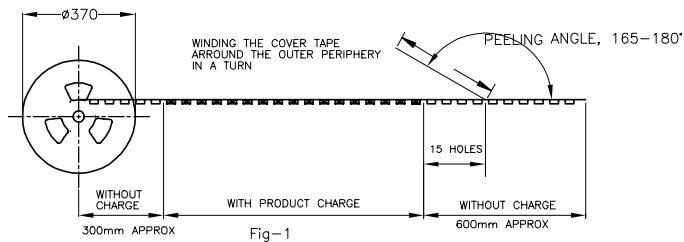


Fig-1

COLOR	PLATE	D	C	B	A	QTY/REEL	POS	TAPING P/N	OBSOLETE	
									↑	↓
BLACK		44.0	40.50	20.25	25.60	9	2-292175-9			
		44.0	40.4	20.2	22.9	8	2-	-8		
		32.0	28.4	14.2	20.9	7	2-	-7		
		32.0	28.4	14.2	18.9	6	2-	-6		
		32.0	28.4	14.2	16.9	5	2-	-5		
		32.0	28.4	14.2	14.9	4	2-	-4		
NATURAL		32.0	28.4	14.2	12.9	3	2-	-3		
	WITH	32.0	28.4	14.2	10.9	700	2	2-292175-2		
		44.0	40.50	20.25	25.60	9	292175-9			
		44.0	40.4	20.2	22.9	8		-8		
		32.0	28.4	14.2	20.9	7		-7		
		32.0	28.4	14.2	18.9	6		-6		
	32.0	28.4	14.2	16.9	5		-5			
	32.0	28.4	14.2	14.9	4		-4			
	32.0	28.4	14.2	12.9	3		-3			
	WITH	32.0	28.4	14.2	10.9	700	2	292175-2		

- NOTES:
1. PEELING RESISTANCE: 0.196N(20gf)-0.686N(70gf)  
SPEED: 300mm/min

TOLERANCE UNLESS OTHERWISE SPECIFIED

10>\* ±0.2  
30>\*10 ±0.25  
100>\*30 ±0.3  
ANGLE ±3°

THIS DRAWING IS A CONTROLLED DOCUMENT.

DIMENSIONS: mm



TOLERANCES UNLESS OTHERWISE SPECIFIED:

- 0 PLC ±
- 1 PLC ±
- 2 PLC ±
- 3 PLC ±
- 4 PLC ±
- ANGLES ±
- FINISH ±

MATERIAL

DWN JACH HOU 19SEP10  
CHK MARTIN LI 19SEP10  
APVD STEVEN YAO 19SEP10  
PRODUCT SPEC  
APPLICATION SPEC

108-60016

WEIGHT

CUSTOMER DRAWING



ON TAPING  
TE CT CONNECTOR POST HEADER ASSY  
BOX V SMT

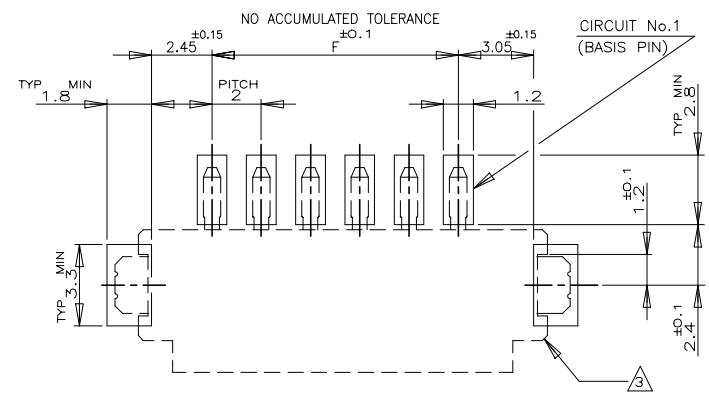
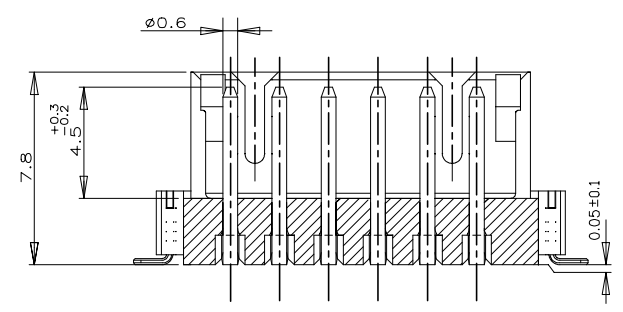
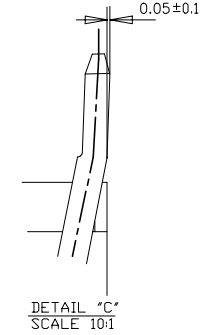
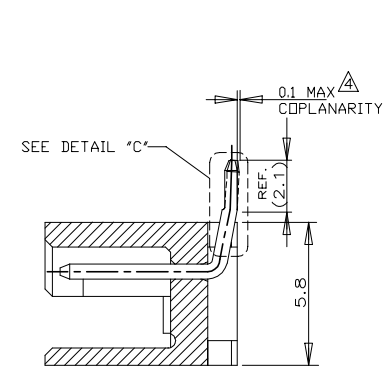
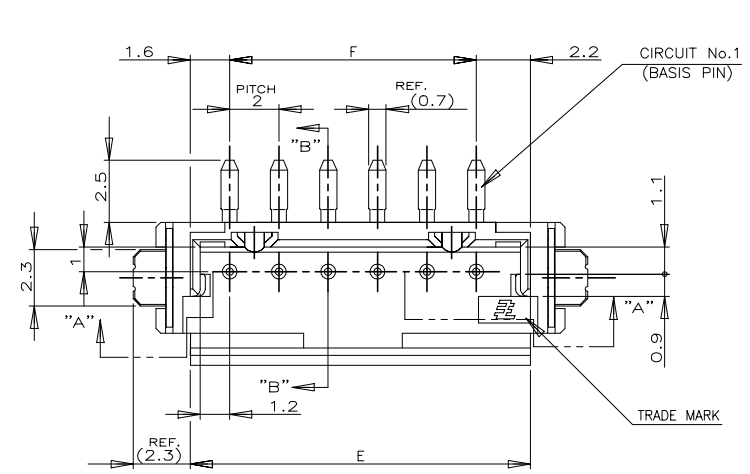
SIZE	CAGE CODE	DRAWING NO	RESTRICTED TO
A3	00779	C-292175	-

SCALE	SHEET	REV
1/1	1 of 3	B3



REVISIONS

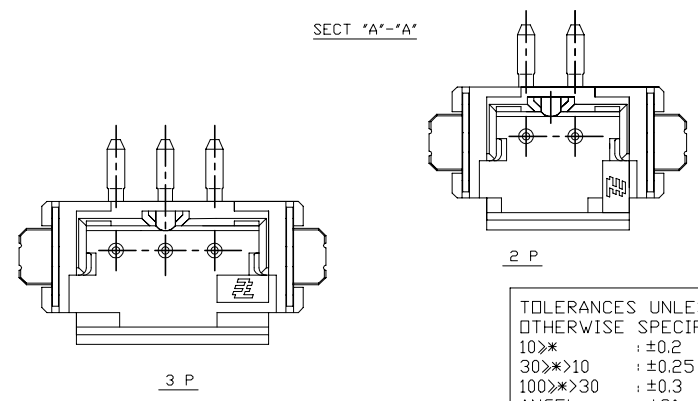
P	LTR	DESCRIPTION	DATE	DWN	APVD
-	-	SEE SHEET 1	-	-	-



- NOTES:
- MATERIAL:HSG-NYLON (UL94V-0)  
COLOR:NATURAL, BLACK  
POST:TIN BRASS  
TAIL: TIN BRASS
  - △ OCCUPANT AREA ON PC BOARD
  - △ TO BE MEASURED WITH CONNECTOR PLACED ON HORIZONTAL DATUM SURFACE, FLOAT OF SOLDER TINE AND TAIL FROM DATUM SURFACE IS 0.1mm MAX

RECOMENOD P.C.BOARD LAYOUT  
(P.C.B THK:0.8mm MIN)

10.0	13.8	6	2-292175-6	292175-6
F	E	POS.	BLACK	NATURAL
P/N				



TOLERANCES UNLESS OTHERWISE SPECIFIED:

10**	: ±0.2
30**>10	: ±0.25
100**>30	: ±0.3
ANGEL	: ±3°

THIS DRAWING IS A CONTROLLED DOCUMENT.

DIMENSIONS: mm

TOLERANCES UNLESS OTHERWISE SPECIFIED:

0 PLC	±
1 PLC	±
2 PLC	±
3 PLC	±
4 PLC	±
ANGLES	±
FINISH	±

DWN	JACH HOU	19SEP10
CHK	MARTIN LI	19SEP10
APVD	STEVEN YAO	19SEP10
PRODUCT SPEC	108-60016	
APPLICATION SPEC		
WEIGHT		
CUSTOMER DRAWING		



ON TAPING (EMBOSS)  
TE CT CONNECTOR POST HEADER ASS'Y  
(BOX-V SMT W/O BOSS & W/TAI)

SIZE	CAGE CODE	DRAWING NO	RESTRICTED TO
A3	00779	C-292175	-
SCALE	SHEET	REV	
	3 of 3	B3	

# Mouser Electronics

Authorized Distributor

Click to View Pricing, Inventory, Delivery & Lifecycle Information:

[TE Connectivity:](#)

[292175-6](#)