

4

3

2

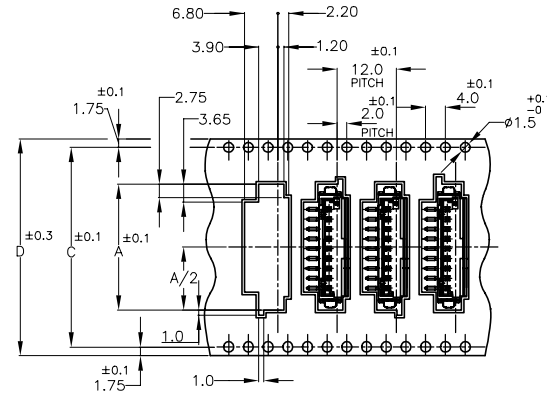
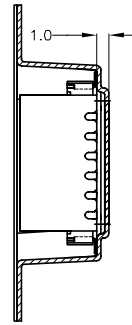
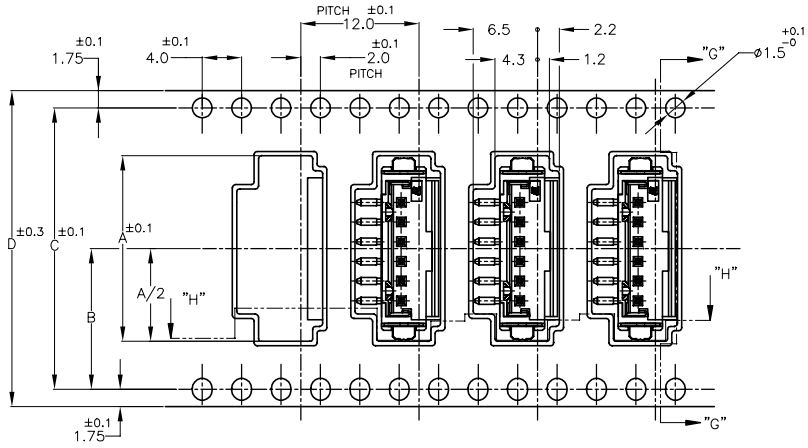
1

© TE Connectivity. All Rights Reserved.

REVISIONS

P	LTR	DESCRIPTION	DATE	DWN	APVD
	B3	ECR-21-101067	06APR2021	T.Q	N.S

(AS SHOWN : -6)



9P ONLY

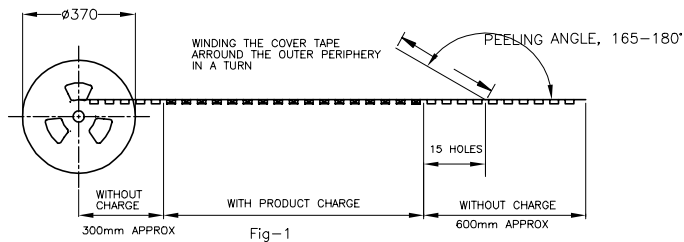
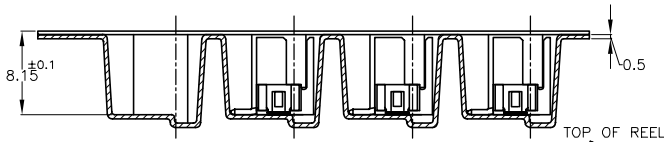


Fig-1

OBSOLETE	BLACK	44.0	40.50	20.25	25.60	9	2-292175-9	
		44.0	40.4	20.2	22.9	8	2-	-8
		32.0	28.4	14.2	20.9	7	2-	-7
		32.0	28.4	14.2	18.9	6	2-	-6
		32.0	28.4	14.2	16.9	5	2-	-5
		32.0	28.4	14.2	14.9	4	2-	-4
		32.0	28.4	14.2	12.9	3	2-	-3
	WITH	32.0	28.4	14.2	10.9	700	2	2-292175-2
OBSOLETE	NATURAL	44.0	40.50	20.25	25.60	9	292175-9	
		44.0	40.4	20.2	22.9	8	2-	-8
		32.0	28.4	14.2	20.9	7	2-	-7
		32.0	28.4	14.2	18.9	6	2-	-6
		32.0	28.4	14.2	16.9	5	2-	-5
		32.0	28.4	14.2	14.9	4	2-	-4
		32.0	28.4	14.2	12.9	3	2-	-3
	WITH	32.0	28.4	14.2	10.9	700	2	292175-2
COLOR	PLATE	D	C	B	A	QTY/REEL	POS	TAPING P/N

- NOTES:
1. PEELING RESISTANCE: 0.196N(20gf)-0.686N(70gf)  
SPEED: 300mm/min

TOLERANCE UNLESS OTHERWISE SPECIFIED

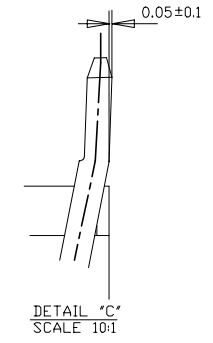
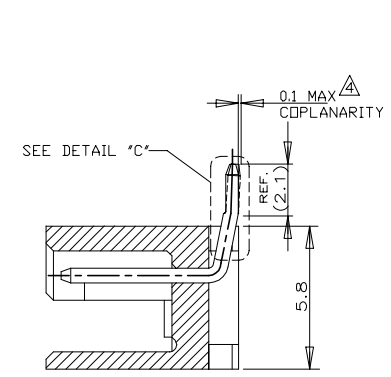
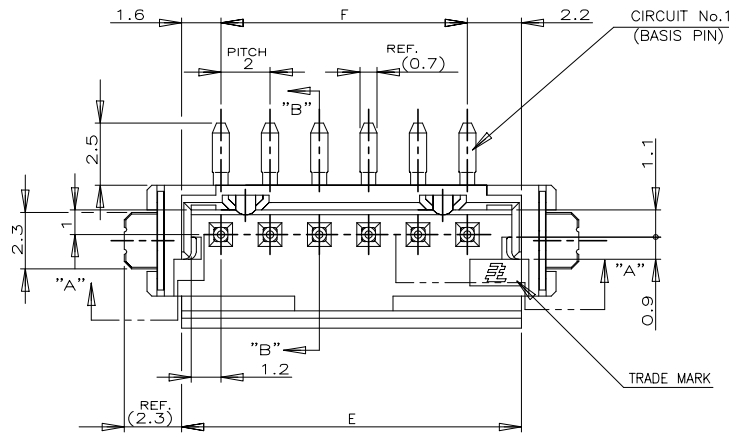
10>* 30>*)10 100>*)30 ANGLE	±0.2 ±0.25 ±0.3 ±3°
--------------------------------------	------------------------------

THIS DRAWING IS A CONTROLLED DOCUMENT.

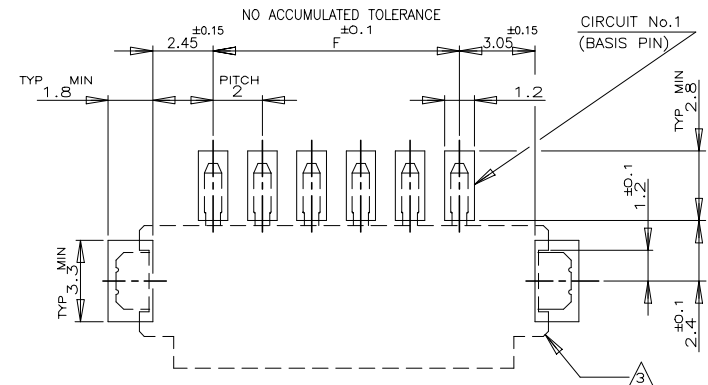
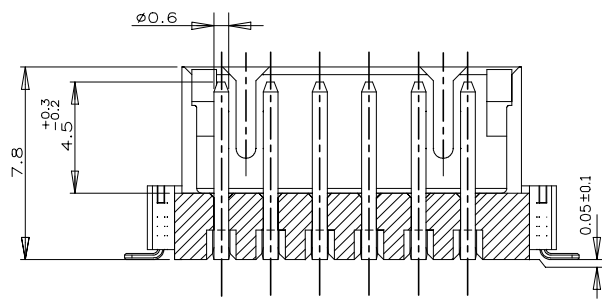
DIMENSIONS: mm	TOLERANCES UNLESS OTHERWISE SPECIFIED:	DWN JACH HOU 19SEP10	19SEP10
		CHK MARTIN LI 19SEP10	
		APVD STEVEN YAO 19SEP10	
		PRODUCT SPEC	NAME
		108-60016	
		APPLICATION SPEC	
		WEIGHT	
MATERIAL	FINISH	TE Connectivity	
		ON TAPING TE CT CONNECTOR POST HEADER ASSY BOX V SMT	
		SIZE A3	RESTRICTED TO
		CAGE CODE 00779	
		DRAWING NO C-292175	
		SCALE	SHEET 1 of 3
		CUSTOMER DRAWING	REV B3

REVISIONS

P	LTR	DESCRIPTION	DATE	DWN	APVD
-	-	SEE SHEET 1	-	-	-

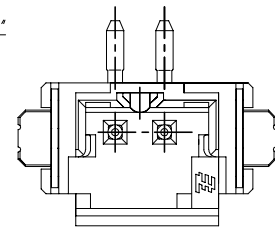
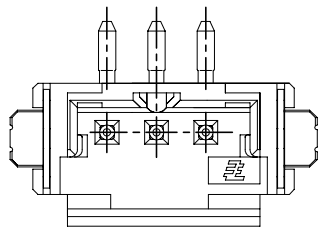


- NOTES:
- MATERIAL:HSG-NYLON (UL94V-0)  
COLOR:NATURAL, BLACK  
POST:TIN BRASS  
TAIL: TIN BRASS
  - △ OCCUPANT AREA ON PC BOARD  
 △ TO BE MEASURED WITH CONNECTOR PLACED ON HORIZONTAL DATUM SURFACE, FLOAT OF SOLDER TINE AND TAIL FROM DATUM SURFACE IS 0.1mm MAX



RECOMENOD P.C.BOARD LAYOUT  
(P.C.B THK:0.8mm MIN)

16.0	19.8	9	2-292175-9	292175-9
14.0	17.8	8	2- -8	-8
12.0	15.8	7	2- -7	-7
10.0	13.8	6	2- -6	-6
8.0	11.8	5	2- -5	-5
6.0	9.8	4	2- -4	-4
4.0	7.8	3	2- -3	-3
2.0	5.8	2	2-292175-2	292175-2
F	E	POS.	BLACK	NATURAL
P/N				



TOLERANCES UNLESS OTHERWISE SPECIFIED:  
 10\*\* : ±0.2  
 30\*\*>10 : ±0.25  
 100\*\*>30 : ±0.3  
 ANGEL : ±3°

THIS DRAWING IS A CONTROLLED DOCUMENT.		DWN JACH HOU 19SEP10
DIMENSIONS: mm		CHK MARTIN LI 19SEP10
TOLERANCES UNLESS OTHERWISE SPECIFIED: 0 PLC ± 1 PLC ± 2 PLC ± 3 PLC ± 4 PLC ± ANGLES ± FINISH ±		APVD STEVEN YAO 19SEP10
MATERIAL		NAME
CUSTOMER DRAWING		108-60016
WEIGHT		APPLICATION SPEC
SCALE		SIZE
SHEET		CAGE CODE
REV		DRAWING NO
2 of 3		RESTRICTED TO
B3		

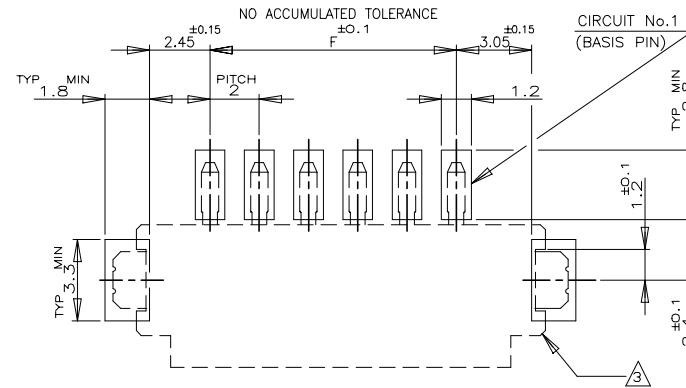
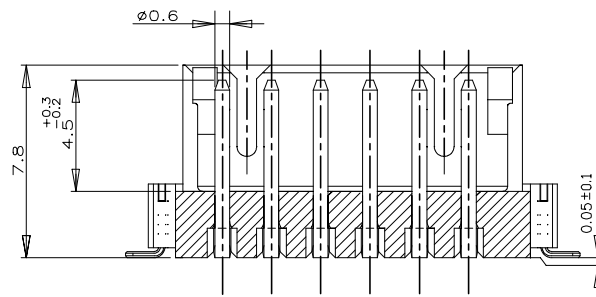
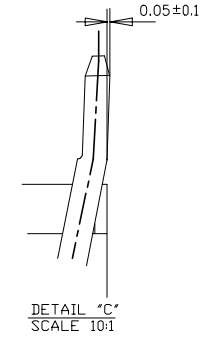
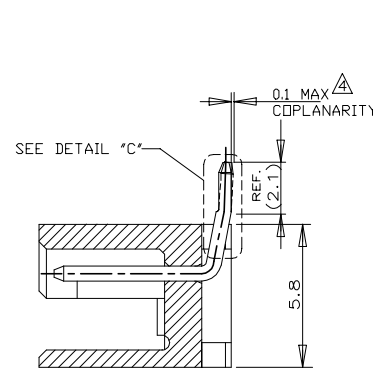
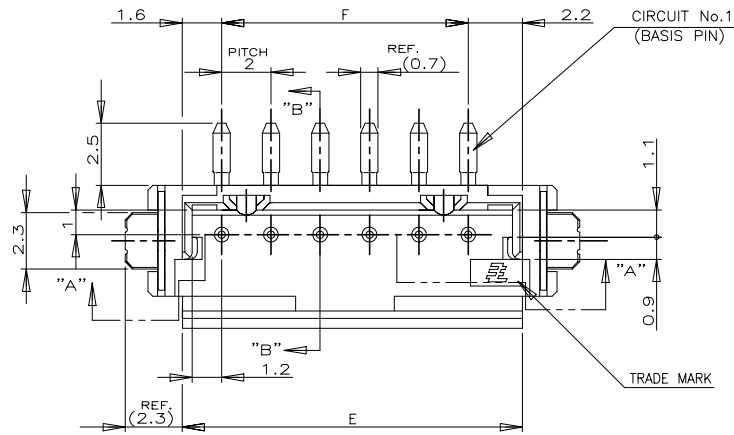


ON TAPING (EMBOSS)  
 TE CT CONNECTOR POST HEADER ASS'Y  
 (BOX-V SMT W/O BOSS & W/TAI)

SIZE	CAGE CODE	DRAWING NO	RESTRICTED TO
A3	00779	C-292175	-
SCALE	SHEET	REV	
	2 of 3	B3	

REVISIONS

P	LTR	DESCRIPTION	DATE	DWN	APVD
-	-	SEE SHEET 1	-	-	-

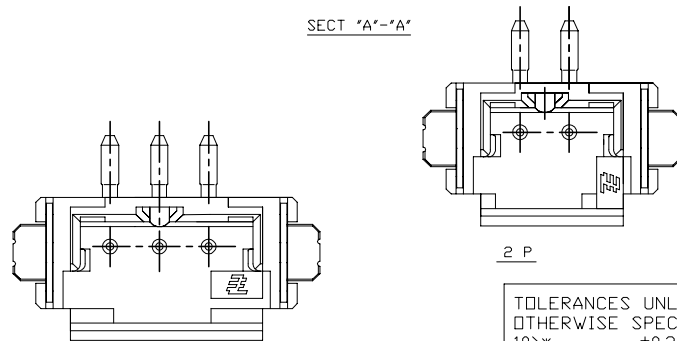


NOTES:

- MATERIAL:HSG-NYLON (UL94V-0)  
COLOR:NATURAL, BLACK  
POST:TIN BRASS  
TAIL: TIN BRASS
- △ OCCUPANT AREA ON PC BOARD
- △ TO BE MEASURED WITH CONNECTOR PLACED ON HORIZONTAL DATUM SURFACE, FLOAT OF SOLDER TINE AND TAIL FROM DATUM SURFACE IS 0.1mm MAX

RECOMENOD P.C.BOARD LAYOUT  
(P.C.B THK:0.8mm MIN)

10.0	13.8	6	2-292175-6	292175-6
F	E	POS.	BLACK	NATURAL
P/N				



TOLERANCES UNLESS OTHERWISE SPECIFIED:

10**	: ±0.2
30**>10	: ±0.25
100**>30	: ±0.3
ANGEL	: ±3°

THIS DRAWING IS A CONTROLLED DOCUMENT.

DIMENSIONS:  
mm

TOLERANCES UNLESS OTHERWISE SPECIFIED:

0 PLC	±
1 PLC	±
2 PLC	±
3 PLC	±
4 PLC	±
ANGLES	±
FINISH	±

MATERIAL

DWN JACH HOU 19SEP10  
CHK MARTIN LI 19SEP10  
APVD STEVEN YAO 19SEP10  
PRODUCT SPEC  
108-60016  
APPLICATION SPEC

WEIGHT

CUSTOMER DRAWING

TE Connectivity

ON TAPING (EMBOSS)  
TE CT CONNECTOR POST HEADER ASS'Y  
(BOX-V SMT W/O BOSS & W/TAI)

SIZE	CAGE CODE	DRAWING NO	RESTRICTED TO
A3	00779	C-292175	-
SCALE	SHEET	REV	
	3 of 3	B3	

# Mouser Electronics

Authorized Distributor

Click to View Pricing, Inventory, Delivery & Lifecycle Information:

[TE Connectivity:](#)

[2-292175-7](#)