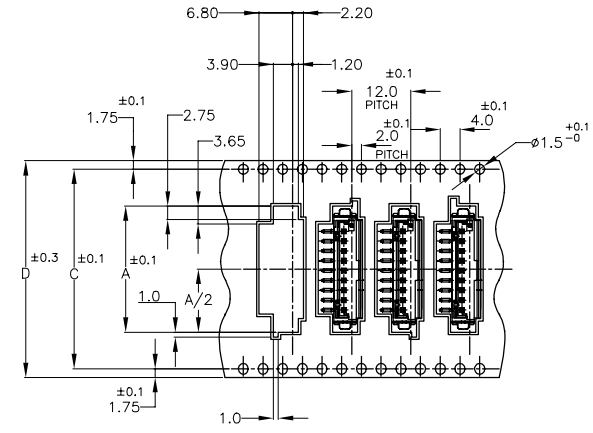
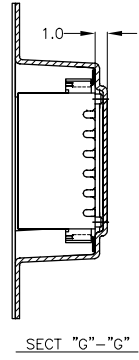
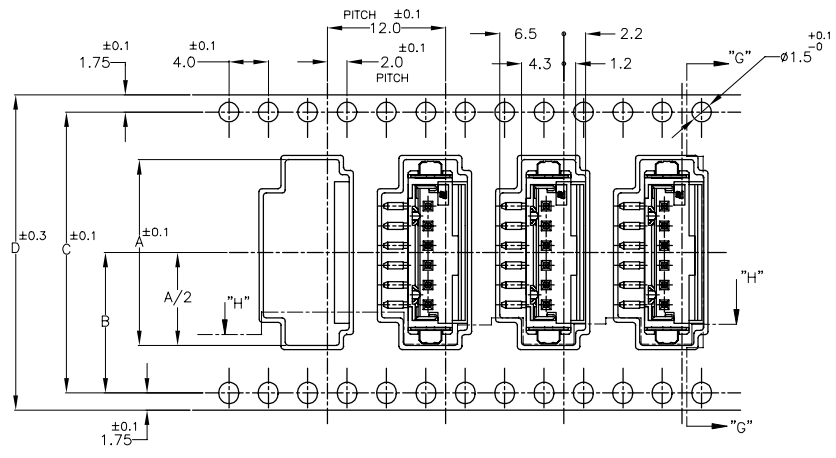


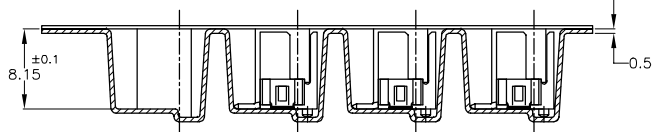
THIS DRAWING IS UNPUBLISHED. RELEASED FOR PUBLICATION
 © COPYRIGHT - By - ALL RIGHTS RESERVED.

LOC	DIST	REVISIONS					
ES	00	P	LTR	DESCRIPTION	DATE	DWN	APVD
		C2		ECR-21-101067	09APR2021	T.Q	N.S

(AS SHOWN : -6)



9P ONLY



SECT "H"- "H"

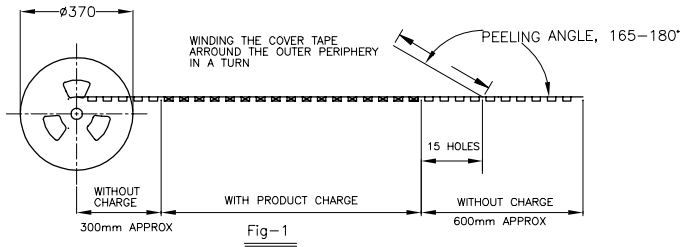


Fig-1

BLACK		44.0	40.5	20.25	25.6	9	2-292174-9
		44.0	40.4	20.2	22.9	8	2- -8
		32.0	28.4	14.2	20.9	7	2- -7
		32.0	28.4	14.2	18.9	6	2- -6
		32.0	28.4	14.2	16.9	5	2- -5
		32.0	28.4	14.2	14.9	4	2- -4
NATURAL	WITH	32.0	28.4	14.2	12.9	3	2- -3
		32.0	28.4	14.2	10.9	2	2-292174-2
		44.0	40.5	20.25	25.6	9	292174-9
		44.0	40.4	20.2	22.9	8	-8
		32.0	28.4	14.2	20.9	7	-7
		32.0	28.4	14.2	18.9	6	-6
	32.0	28.4	14.2	16.9	5	-5	
	32.0	28.4	14.2	14.9	4	-4	
	32.0	28.4	14.2	12.9	3	-3	
	WITH	32.0	28.4	14.2	10.9	2	292174-2
COLOR PLATE	D	C	B	A	700 QTY REEL	POS	TAPING P/N

- NOTES:
 1. PEELING RESISTANCE: 0.196N(20gf)-0.686N(70gf)
 PEELING SPEED: 300mm/min

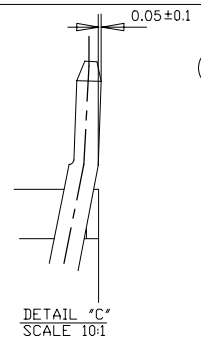
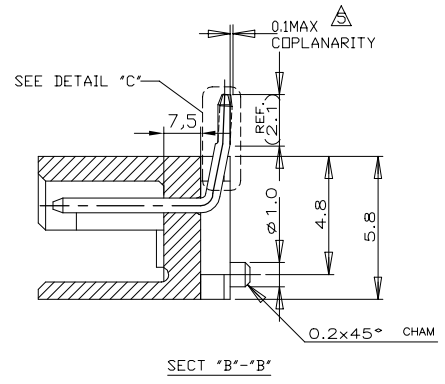
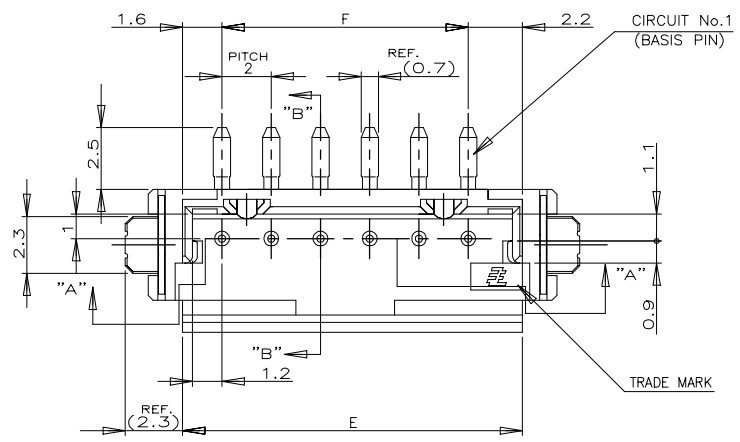
TOLERANCE UNLESS OTHERWISE SPECIFIED	
10 > *	±0.2
30 > * > 10	±0.25
100 > * > 30	±0.3
ANGLE	±3°

THIS DRAWING IS A CONTROLLED DOCUMENT.		DWN	JACK HOU	17SEP10
DIMENSIONS: MM		CHK	MARTIN LI	17SEP10
TOLERANCES UNLESS OTHERWISE SPECIFIED:		APVD	STEVEN YAO	17SEP10
0 PLC ±		PRODUCT SPEC	NAME	
1 PLC ±		APPLICATION SPEC	ON TAPING (EMBOSS)	
2 PLC ±		WEIGHT	TE CT CONNECTOR POST HEADER ASS'Y	
3 PLC ±		CUSTOMER DRAWING	(BOX-V SMT W/BOSS & TAIL)	
4 PLC ±		SCALE	A3 00779	C-292174
ANGLES ±		SHEET	1 of 3	REV C2
MATERIAL		RESTRICTED TO	-	

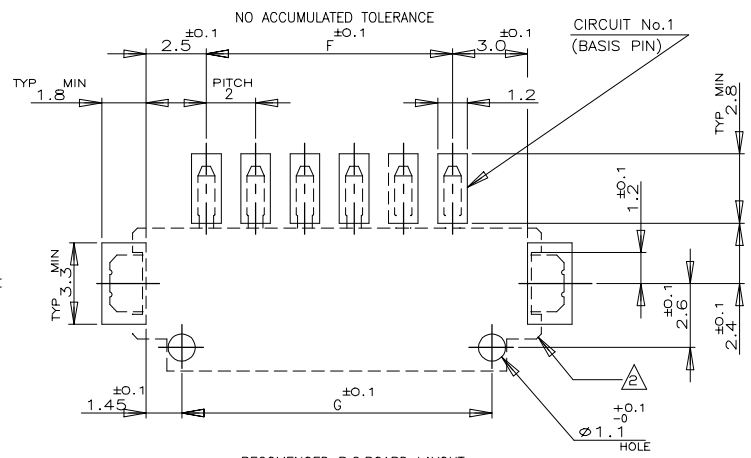
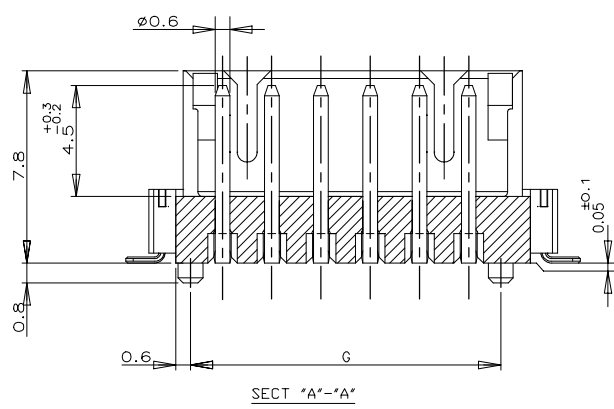


THIS DRAWING IS UNPUBLISHED. RELEASED FOR PUBLICATION
 © COPYRIGHT - By - ALL RIGHTS RESERVED.

LOC	DIST	REVISIONS					
ES	00	P	LTR	DESCRIPTION	DATE	DWN	APVD
		-	-	SEE SHEET 1	-	-	-



NOTES:
 2. MATERIAL:HSG: NYLON (UL94V-0)
 COLOR:BLACK OR NATURAL
 POST:TIN BRASS
 TAIL:TIN BRASS
 △ OCCUPANT AREA ON PC BOARD
 4. PRODUCT SPEC :108-60016
 △ TO BE MEASURED WITH CONNECTOR PLACED ON HORIZONTAL DATUM SURFACE, FLOAT OF SOLDER TINE AND TAIL FROM DATUM SURFACE IS 0.1mm MAX



RECOMMENDED P.C. BOARD LAYOUT
 (P.C.B THK:0.8mm MIN)

12.6	10.0	13.8	6	292174-6
G	F	E	Pos.	NATURAL
				P/N

THIS DRAWING IS A CONTROLLED DOCUMENT.		DWN JACK HOU 17SEP10	TE Connectivity SMT TYPE POST HDR ASS'Y(V) WITH BOSS & WITH TAIL TYPE TE CT CONN. 2 mm PITCH			
DIMENSIONS: MM		CHK MARTIN LI 17SEP10				
TOLERANCES UNLESS OTHERWISE SPECIFIED:		APVD STEVEN YAO 17SEP10				
0 PLC ± 1 PLC ± 2 PLC ± 3 PLC ± 4 PLC ± ANGLES ± FINISH SEE NOTE		NAME PRODUCT SPEC APPLICATION SPEC				
TOLERANCES UNLESS OTHERWISE SPECIFIED: 10>* : ±0.2 30>*10 : ±0.25 100>*30 : ±0.3 ANGEL : ±3°		WEIGHT -	SIZE A3	CAGE CODE 00779	DRAWING NO C-292174	RESTRICTED TO
MATERIAL SEE NOTE		CUSTOMER DRAWING	SCALE 5:1	SHEET 3 OF 3	REV C2	

Mouser Electronics

Authorized Distributor

Click to View Pricing, Inventory, Delivery & Lifecycle Information:

[TE Connectivity:](#)

[292174-7](#)