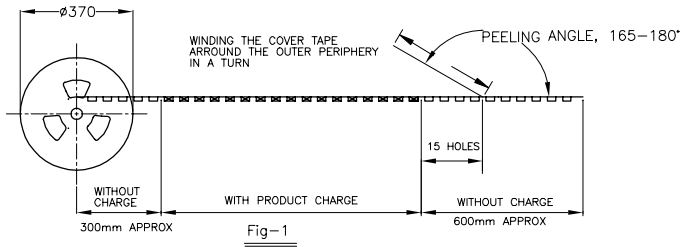
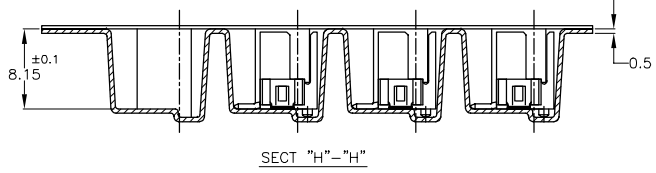
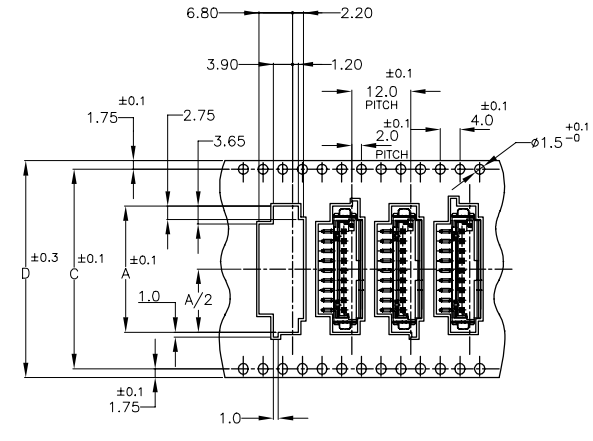
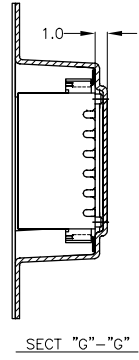
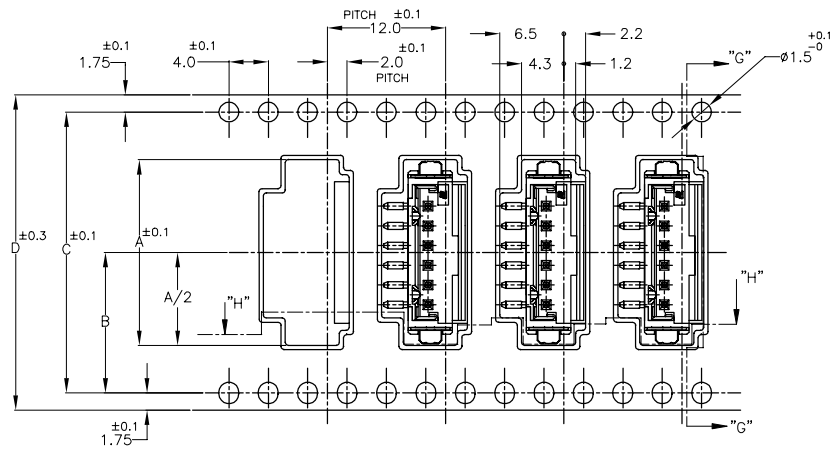


THIS DRAWING IS UNPUBLISHED. RELEASED FOR PUBLICATION
 © COPYRIGHT - By - ALL RIGHTS RESERVED.

LOC	DIST	REVISIONS					
ES	00	P	LTR	DESCRIPTION	DATE	DWN	APVD
		C2		ECR-21-101067	09APR2021	T.Q	N.S

(AS SHOWN : -6)



BLACK	↑	44.0	40.5	20.25	25.6	↑	9	2-292174-9
		44.0	40.4	20.2	22.9		8	2- -8
		32.0	28.4	14.2	20.9		7	2- -7
		32.0	28.4	14.2	18.9		6	2- -6
		32.0	28.4	14.2	16.9		5	2- -5
		32.0	28.4	14.2	14.9		4	2- -4
NATURAL	WITH	32.0	28.4	14.2	12.9	700	2	2-292174-2
	↑	44.0	40.5	20.25	25.6	↑	9	292174-9
		44.0	40.4	20.2	22.9		8	-8
		32.0	28.4	14.2	20.9		7	-7
		32.0	28.4	14.2	18.9		6	-6
		32.0	28.4	14.2	16.9		5	-5
	32.0	28.4	14.2	14.9		4	-4	
	32.0	28.4	14.2	12.9		3	-3	
WITH	32.0	28.4	14.2	10.9	700	2	2	292174-2
COLOR PLATE	D	C	B	A	700	2	2	292174-2
					QTY REEL	POS		TAPING P/N

NOTES:
 1. PEELING RESISTANCE: 0.196N(20gf)-0.686N(70gf)
 PEELING SPEED: 300mm/min

TOLERANCE UNLESS OTHERWISE SPECIFIED	
10>* : ±0.2	
30>* > 10 : ±0.25	
100>* > 30 : ±0.3	
ANGLE : ±3°	

THIS DRAWING IS A CONTROLLED DOCUMENT.

DWN JACK HOU 17SEP10
 CHK MARTIN LI 17SEP10
 APVD STEVEN YAO 17SEP10
 PRODUCT SPEC
 APPLICATION SPEC
 WEIGHT
 CUSTOMER DRAWING

TE Connectivity

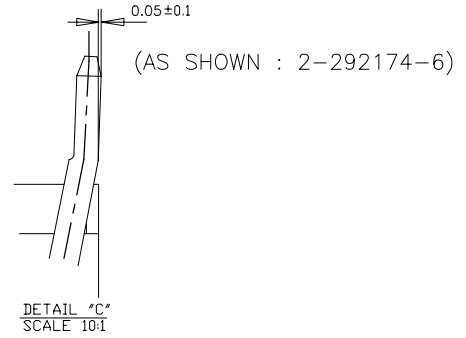
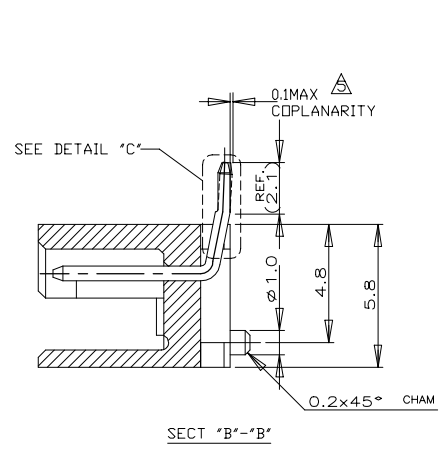
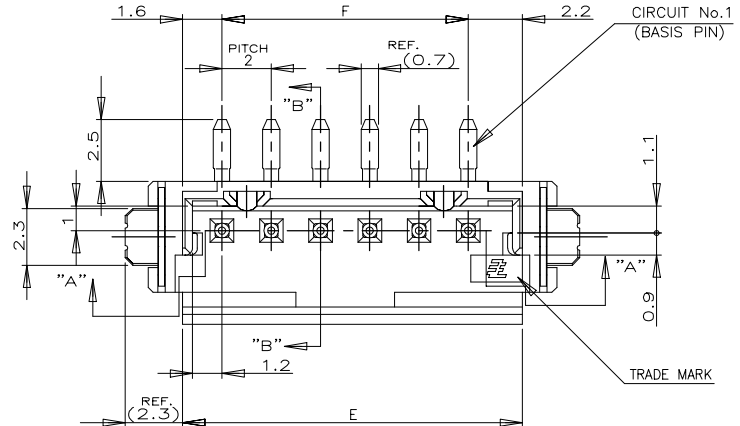
ON TAPING (EMBOSS)
 TE CT CONNECTOR POST HEADER ASS'Y
 (BOX-V SMT W/BOSS & TAIL)

SIZE A3 CAGE CODE 00779 DRAWING NO C-292174 RESTRICTED TO

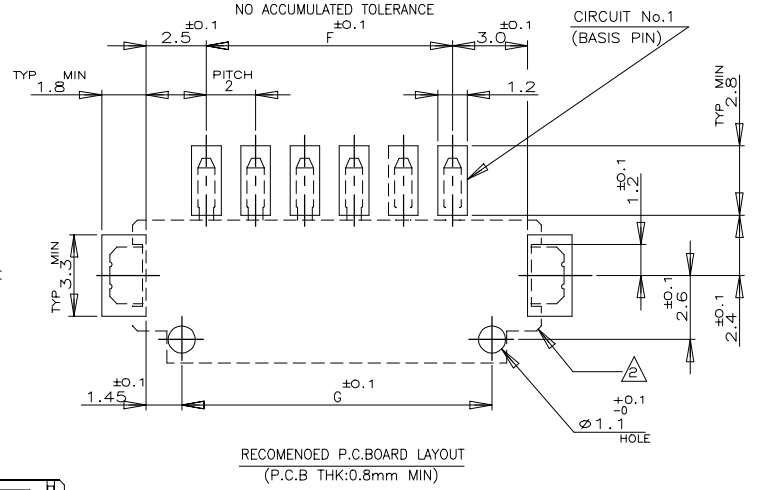
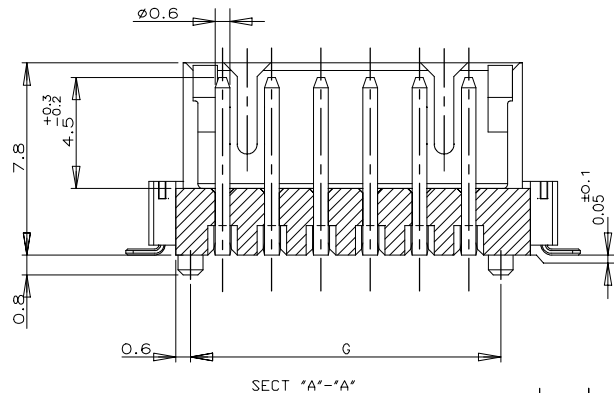
SCALE // SHEET 1 of 3 REV C2

THIS DRAWING IS UNPUBLISHED. RELEASED FOR PUBLICATION
 © COPYRIGHT - By - ALL RIGHTS RESERVED.

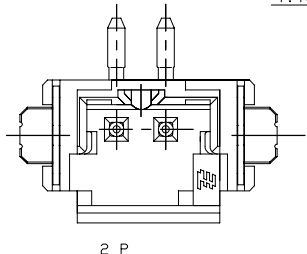
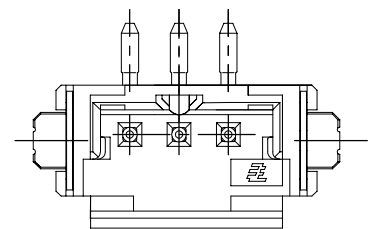
LOC	DIST	REVISIONS				
P	LTR	DESCRIPTION	DATE	DWN	APVD	
ES	00	SEE SHEET 1	-	-	-	



- NOTES:
- MATERIAL:HSG: NYLON (UL94V-0)
 COLOR:BLACK OR NATURAL
 POST:TIN BRASS
 TAIL:TIN BRASS
 - OCCUPANT AREA ON PC BOARD
 - PRODUCT SPEC :108-60016
 - TO BE MEASURED WITH CONNECTOR PLACED ON HORIZONTAL DATUM SURFACE, FLOAT OF SOLDER TINE AND TAIL FROM DATUM SURFACE IS 0.1mm MAX
 - 292174-6 SHOWED ON SHEET 3/3.



18.6	16.0	19.8	9	2-292174-9	292174-9
16.6	14.0	17.8	8	2-8	-8
14.6	12.0	15.8	7	2-7	-7
12.6	10.0	13.8	6	2-6	-6
10.6	8.0	11.8	5	2-5	-5
8.6	6.0	9.8	4	2-4	-4
6.6	4.0	7.8	3	2-3	-3
4.6	2.0	5.8	2	2-292174-2	292174-2
G	F	E	Pos.	BLACK	NATURAL
P/N					



TOLERANCES UNLESS OTHERWISE SPECIFIED:
 10>* : ±0.2
 30>*10 : ±0.25
 100>*30 : ±0.3
 ANGEL : ±3°

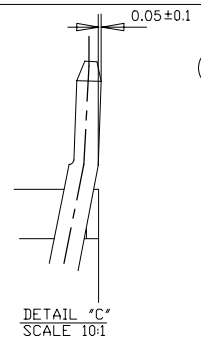
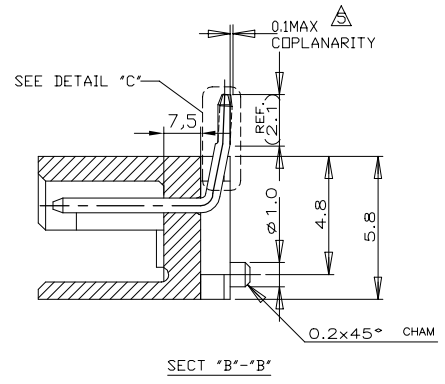
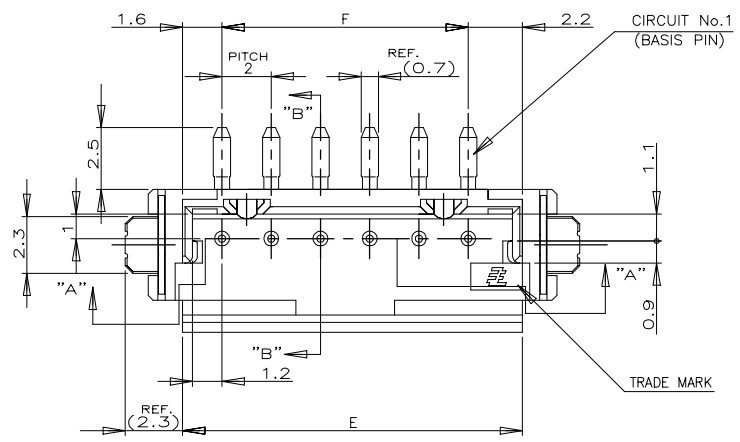
THIS DRAWING IS A CONTROLLED DOCUMENT.		DWN JACK HOU 17SEP10
DIMENSIONS: MM		CHK MARTIN LI 17SEP10
TOLERANCES UNLESS OTHERWISE SPECIFIED:		APVD STEVEN YAO 17SEP10
0 PLC ±		NAME PRODUCT SPEC
1 PLC ±		APPLICATION SPEC
2 PLC ±		WEIGHT -
3 PLC ±		SIZE A3
4 PLC ±		CAGE CODE 00779
ANGLES ±		DRAWING NO C-292174
FINISH		RESTRICTED TO
MATERIAL SEE NOTE		SCALE 5:1
SEE NOTE		SHEET 2 OF 3
CUSTOMER DRAWING		REV C2

STE TE Connectivity

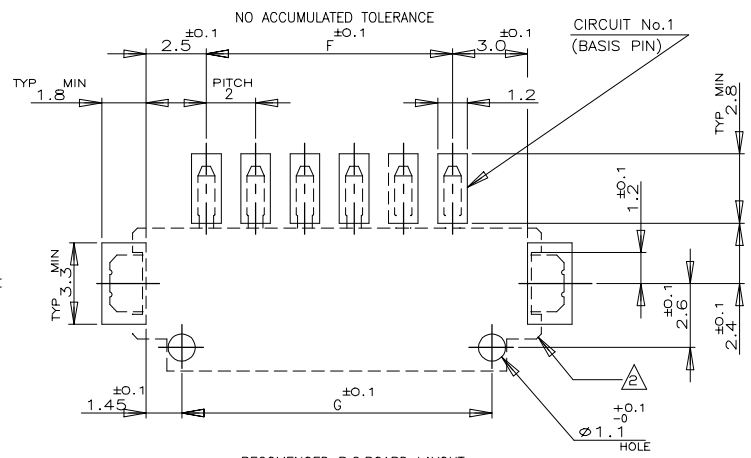
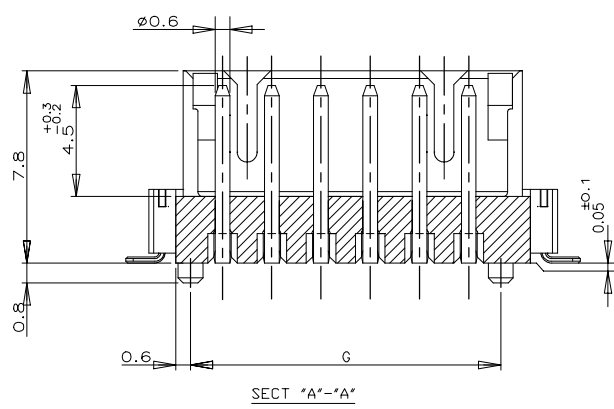
SMT TYPE POST HDR ASS'Y(V)
 WITH BOSS & WITH TAIL TYPE
 TE CT CONN. 2 mm PITCH

THIS DRAWING IS UNPUBLISHED. RELEASED FOR PUBLICATION
 © COPYRIGHT - By - ALL RIGHTS RESERVED.

LOC	DIST	REVISIONS					
ES	00	P	LTR	DESCRIPTION	DATE	DWN	APVD
		-	-	SEE SHEET 1	-	-	-



- NOTES:
- MATERIAL:HSG: NYLON (UL94V-0)
 COLOR:BLACK OR NATURAL
 POST:TIN BRASS
 TAIL:TIN BRASS
 - △ OCCUPANT AREA ON PC BOARD
 4. PRODUCT SPEC :108-60016
 - △ TO BE MEASURED WITH CONNECTOR PLACED ON HORIZONTAL DATUM SURFACE, FLOAT OF SOLDER TINE AND TAIL FROM DATUM SURFACE IS 0.1mm MAX



RECOMENOED P.C.BOARD LAYOUT
 (P.C.B THK:0.8mm MIN)

12.6	10.0	13.8	6	292174-6
G	F	E	Pos.	NATURAL
				P/N

THIS DRAWING IS A CONTROLLED DOCUMENT.		DWN JACK HOU 17SEP10	17SEP10		 TE Connectivity	SMT TYPE POST HDR ASS'Y(V) WITH BOSS & WITH TAIL TYPE TE CT CONN. 2 mm PITCH	RESTRICTED TO		
DIMENSIONS: MM		CHK MARTIN LI 17SEP10	17SEP10					NAME	
TOLERANCES UNLESS OTHERWISE SPECIFIED:		APVD STEVEN YAO 17SEP10	17SEP10						PRODUCT SPEC
0 PLC ±- 1 PLC ±- 2 PLC ±- 3 PLC ±- 4 PLC ±- ANGLES ±-		SEE NOTE		APPLICATION SPEC					
MATERIAL SEE NOTE		FINISH SEE NOTE		WEIGHT -	SIZE A3	CAGE CODE 00779	DRAWING NO C-292174		
TOLERANCES UNLESS OTHERWISE SPECIFIED: 10>* : ±0.2 30>*10 : ±0.25 100>*30 : ±0.3 ANGEL : ±3°		CUSTOMER DRAWING		SCALE 5:1	SHEET 3 of 3	REV C2			

Mouser Electronics

Authorized Distributor

Click to View Pricing, Inventory, Delivery & Lifecycle Information:

[TE Connectivity:](#)

[292174-3](#)