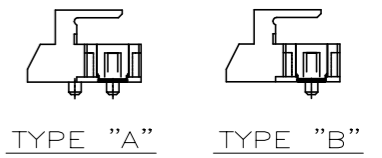
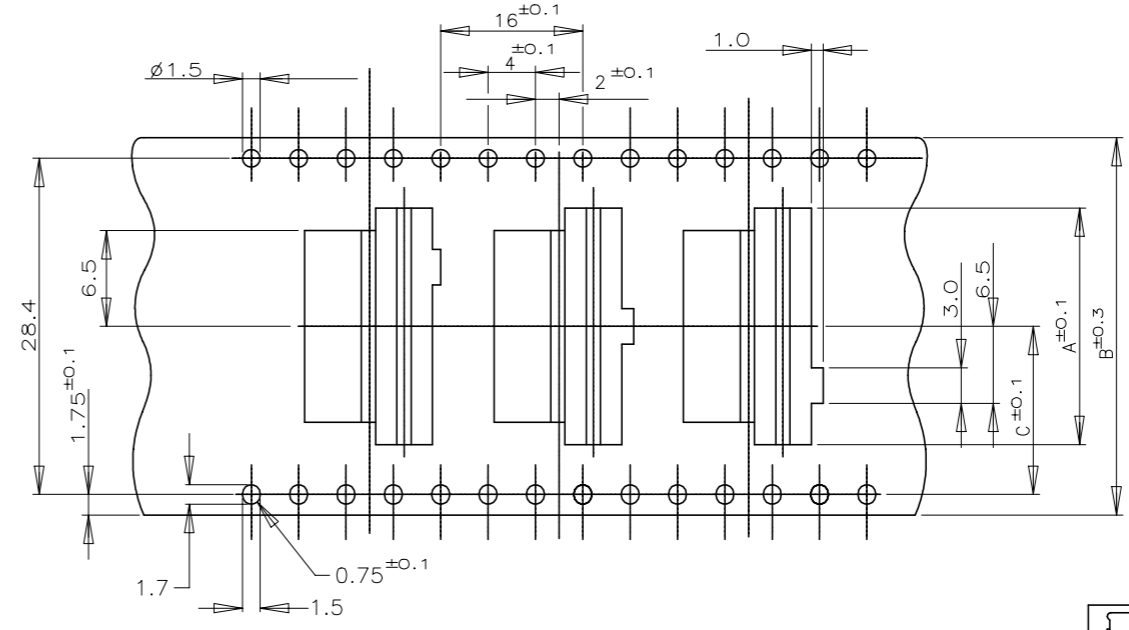
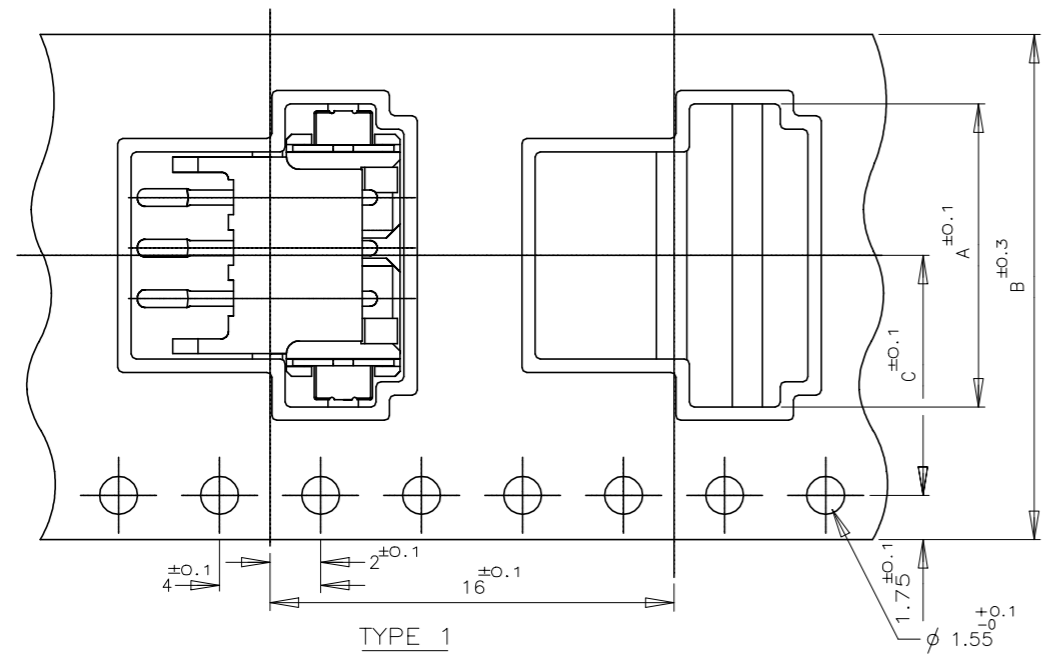
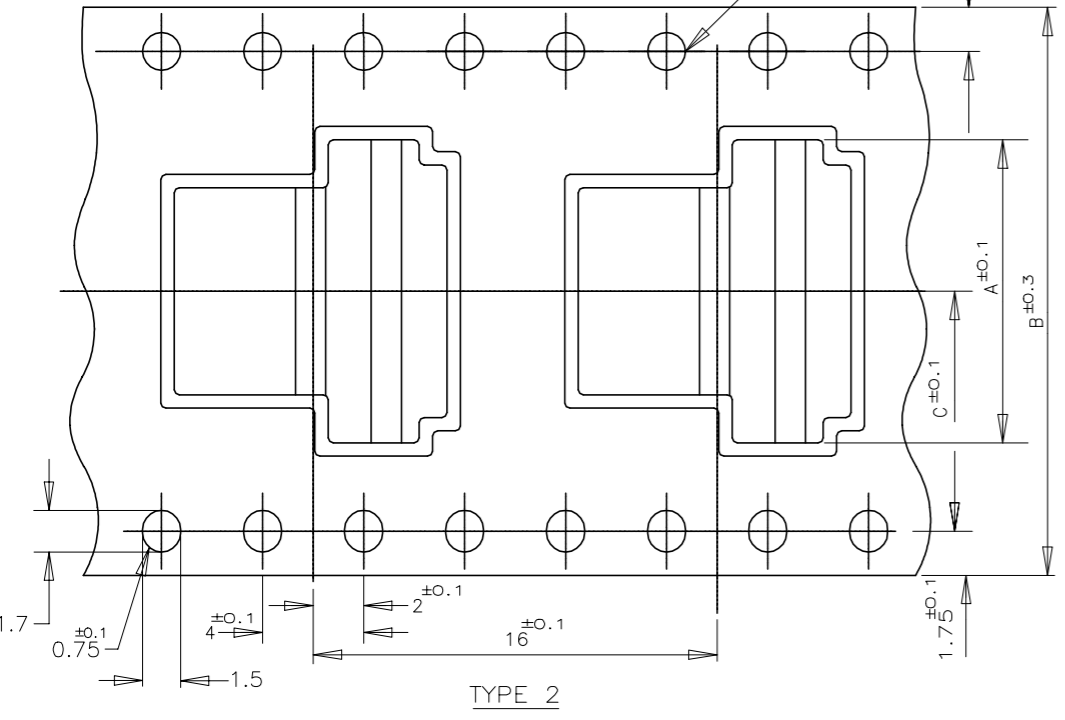
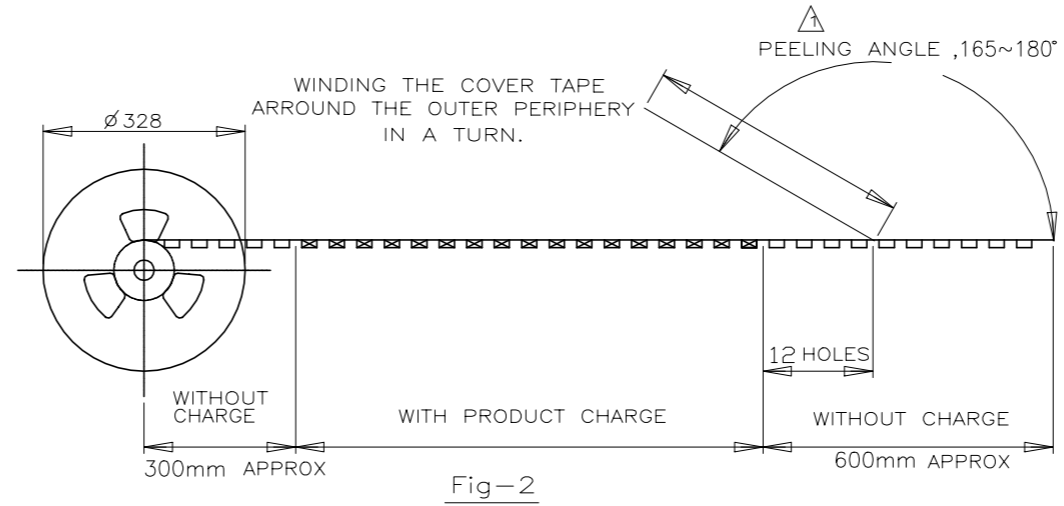
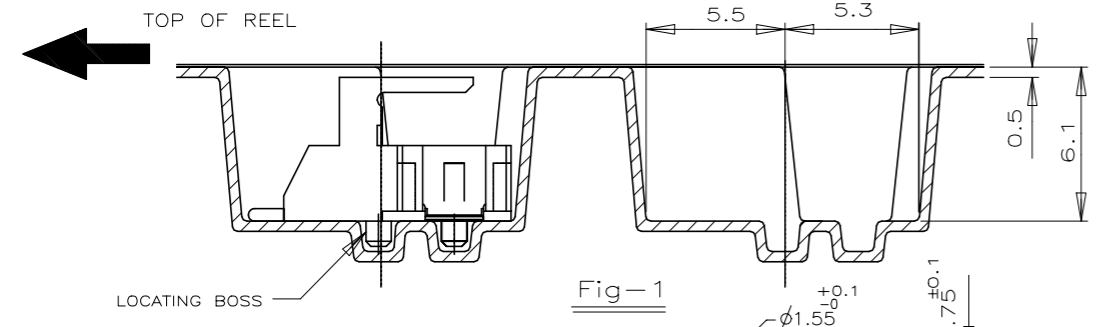


REVISIONS					
P	LTR	DESCRIPTION	DATE	DWN	APVD
C5		ECR-22-127164	26OCT2021	T.Q	N.S

(AS SHOWN : 3P)



THREE KINDS OF DIFFERENT POCKETS AS 1 SET USED FOR 7P ONLY



COLOR	PLATE	TAPE TYPE	TYPE OF BOSS	C	B	A	QTY/ REEL	Pos	TAPING	P/N
NATURAL	TYPE 2	B	20.2	44	24	500	9	1-	292173	-9
	TYPE 2	B	14.2	32	18	6	1-	-6		
									TYPE 1	B
	A	12	3	1-	-4					
						A	11.5	24	10	2
BLACK	TYPE 2	B	20.2	44	24					
						TYPE 3	B	14.2	32	20
	TYPE 2	B	14.2	32	18					
						TYPE 1	B	11.5	24	16
	A	12	3	0-	-4					
						A	11.5	24	10	2
WITH	A	11.5	24	10	500					

TOLERANCE UNLESS OTHERWISE SPECIFIED:

10 > *	: ±0.2
30 > * > 10	: ±0.25
100 > * > 30	: ±0.3
ANGLE	: ±3'

NOTES:
 ▲ PEELING RESISTANCE : 0.196N-0.686N (20gf-70gf)
 SPEED : 300mm/min

THIS DRAWING IS A CONTROLLED DOCUMENT.

DWN	JACK HOU	21SEP10
CHK	MARTIN LI	21SEP10
APVD	STEVEN YAO	21SEP10
PRODUCT SPEC		
APPLICATION SPEC		
WEIGHT		
CUSTOMER DRAWING		



EMBOSS
 CT HEADER ASSY
 BOX-H SMT TYPE W/BOSS

SIZE	A3	CAGE CODE	00779	DRAWING NO	C=292173	RESTRICTED TO	-
SCALE	1:1	SHEET	1 of 8	REV	C5		

P	LTR	DESCRIPTION	DATE	DWN	APVD
-	-	SEE SHEET 1	-	-	-

(AS SHOWN : 3P)

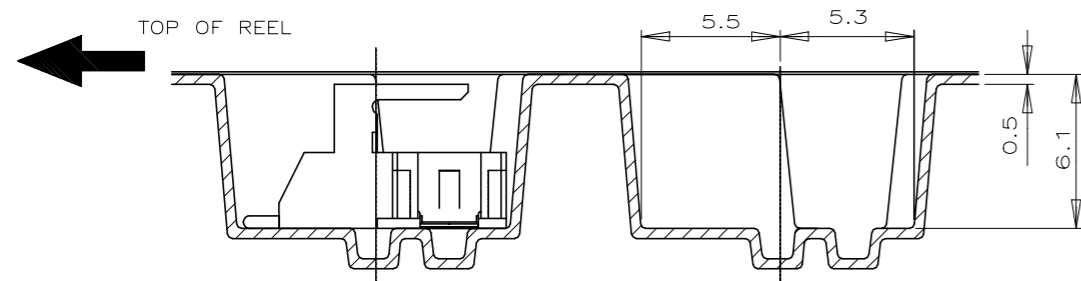
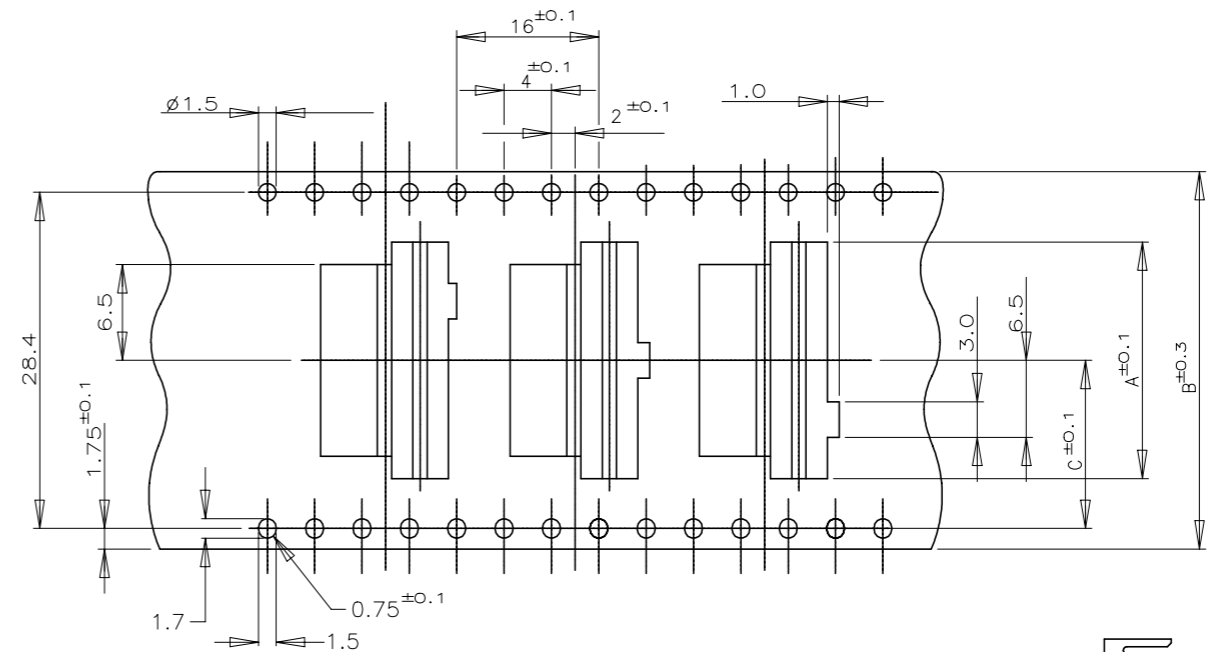
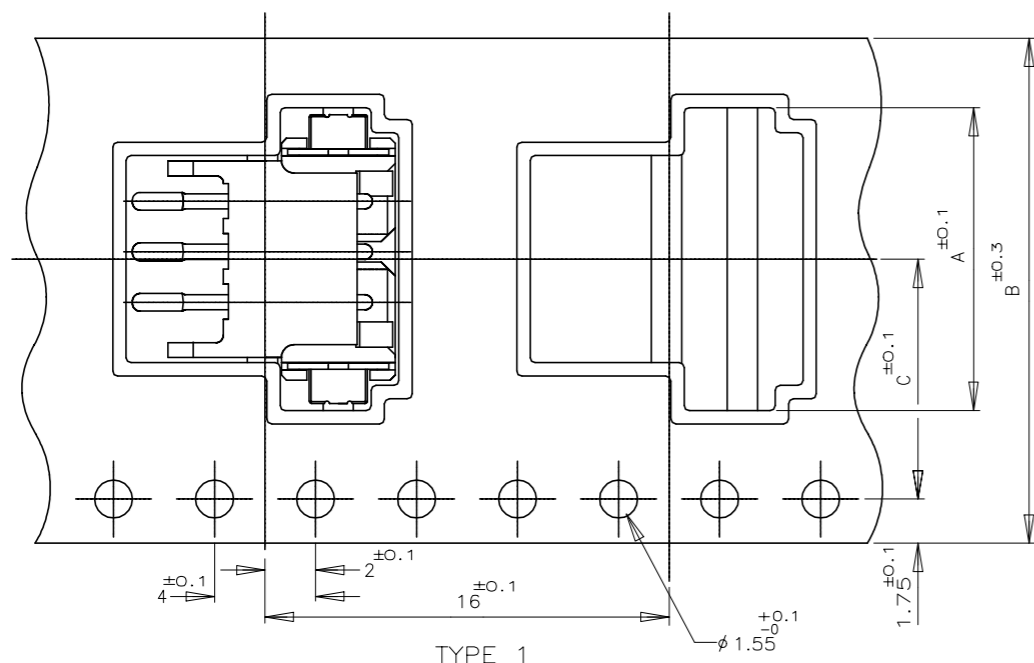
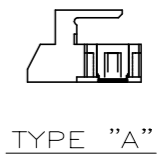
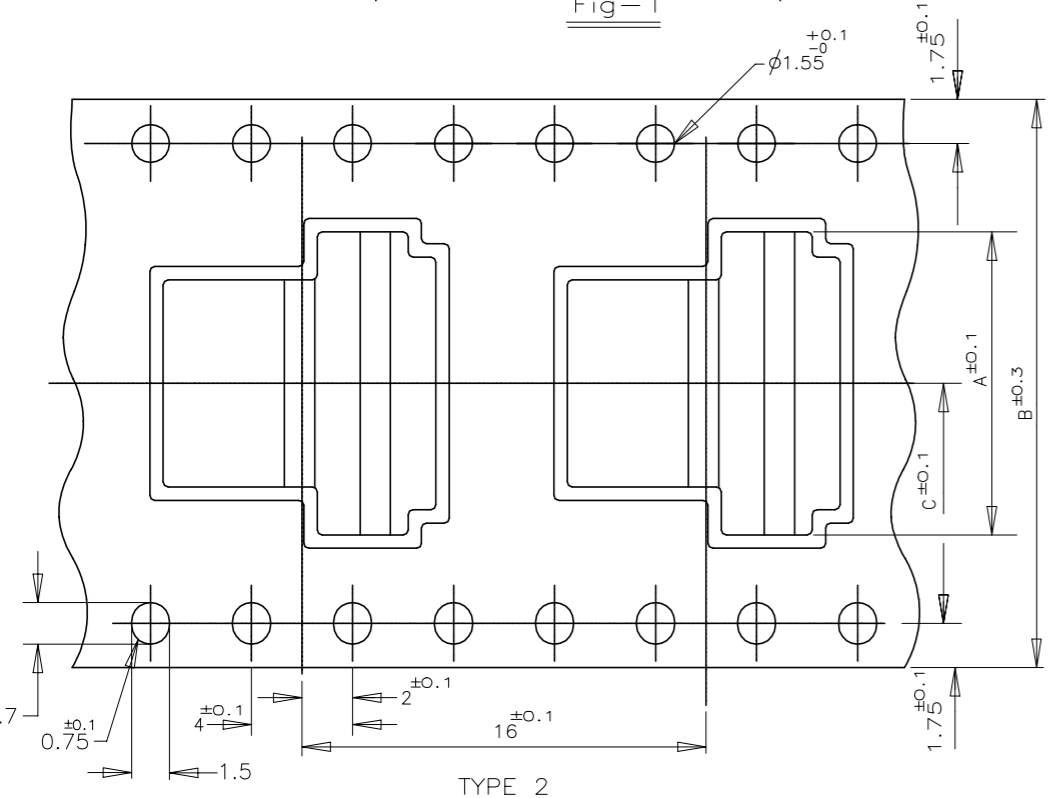


Fig-1

TYPE 3 FOR 7P ONLY
THREE KINDS OF DIFFERENT POCKETS AS 1 SET
USED FOR 7P ONLY



TYPE "A"



TYPE 2

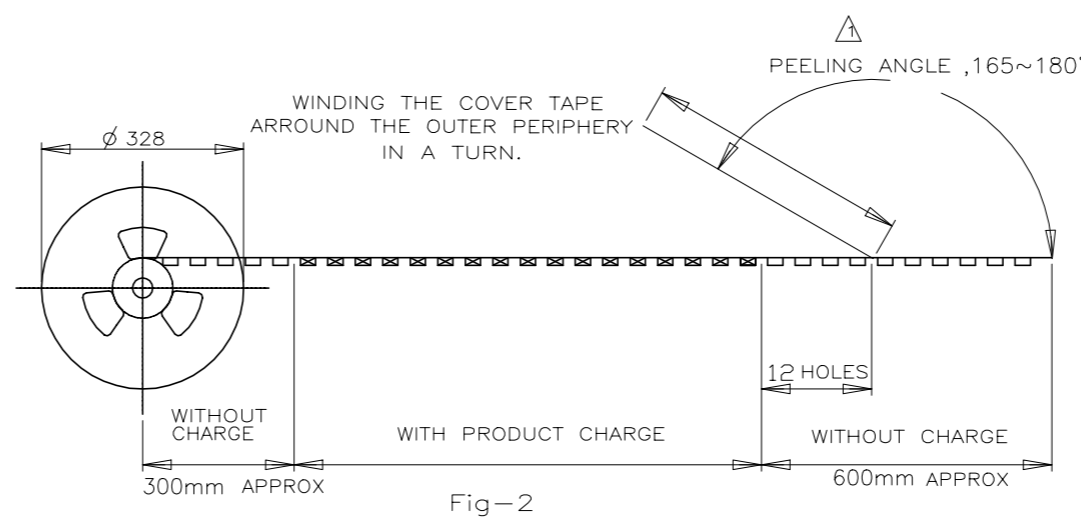


Fig-2

COLOR	PLATE	TAPE TYPE	TYPE OF BOSS	C		B		A		QTY/ REEL	Pos	TAPING P/N
				WITH	WITHOUT	WITH	WITHOUT	WITH	WITHOUT			
NATURAL	TYPE 2	A	20.2	44	24	500	9	3-	292173-9	8	3-	-8
	TYPE 3	A	14.2	32	20	6	3-	-6				
									TYPE 2	A	14.2	32
	TYPE 1	A	11.5	24	16	4	3-	-4				
									A	11.5	24	10
BLACK	TYPE 2	A	20.2	44	24	500	9	2-				
									A	20.2	44	22
	TYPE 3	A	14.2	32	20	6	2-	-6				
									TYPE 2	A	14.2	32
	TYPE 1	A	11.5	24	16	4	2-	-4				
									A	11.5	24	10
WITH	A	11.5	24	10	500	2	2-	292173-2				

TOLERANCE UNLESS OTHERWISE SPECIFIED:

10 > *	: ±0.2
30 > * > 10	: ±0.25
100 > * > 30	: ±0.3
ANGLE	: ±3'

NOTES:
 ▲ PEELING RESISTANCE : 0.196N-0.686N (20gf-70gf)
 SPEED : 300mm/min

THIS DRAWING IS A CONTROLLED DOCUMENT.

DIMENSIONS: MM	TOLERANCES UNLESS OTHERWISE SPECIFIED:	DWN
	0 PLC ±	CHK
	1 PLC ±	APVD
	2 PLC ±	PRODUCT SPEC
	3 PLC ±	APPLICATION SPEC
MATERIAL	FINISH	WEIGHT
		CUSTOMER DRAWING

STE TE Connectivity Ltd.

ON TAPING (EMBOSS)
 TE CT CONNECTOR POST HEADER ASS'Y
 (BOX-H SMT TYPE W/O BOSS & W/ TAIL)

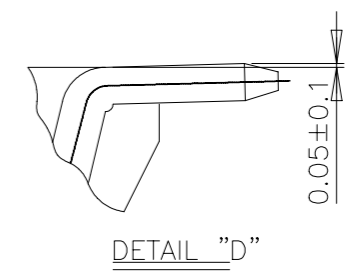
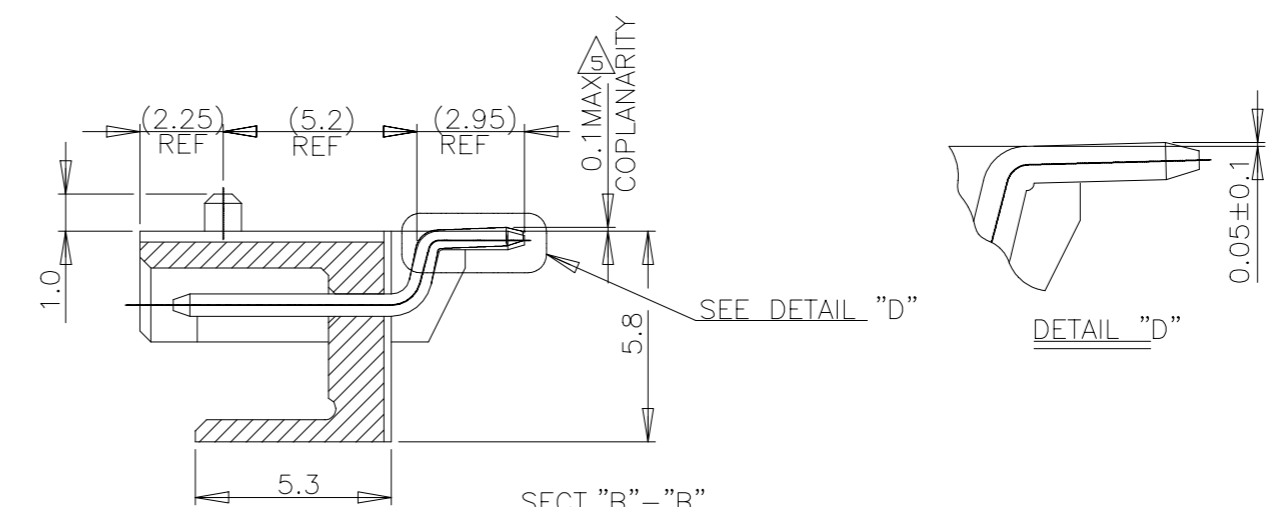
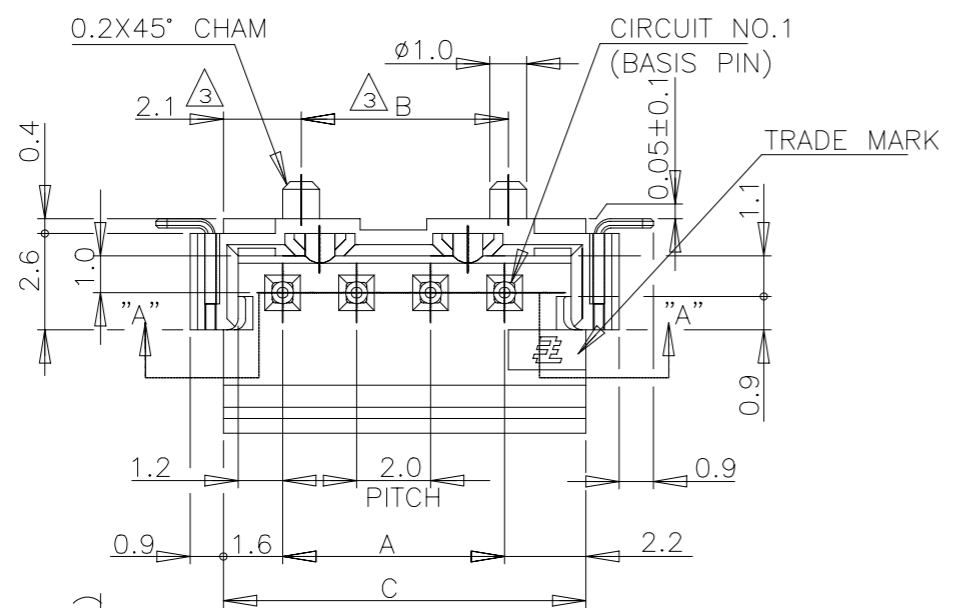
SIZE: A3 CAGE CODE: 00779 DRAWING NO: C=292173 RESTRICTED TO: -

SCALE: \neq SHEET: 2 of 8 REV: C5

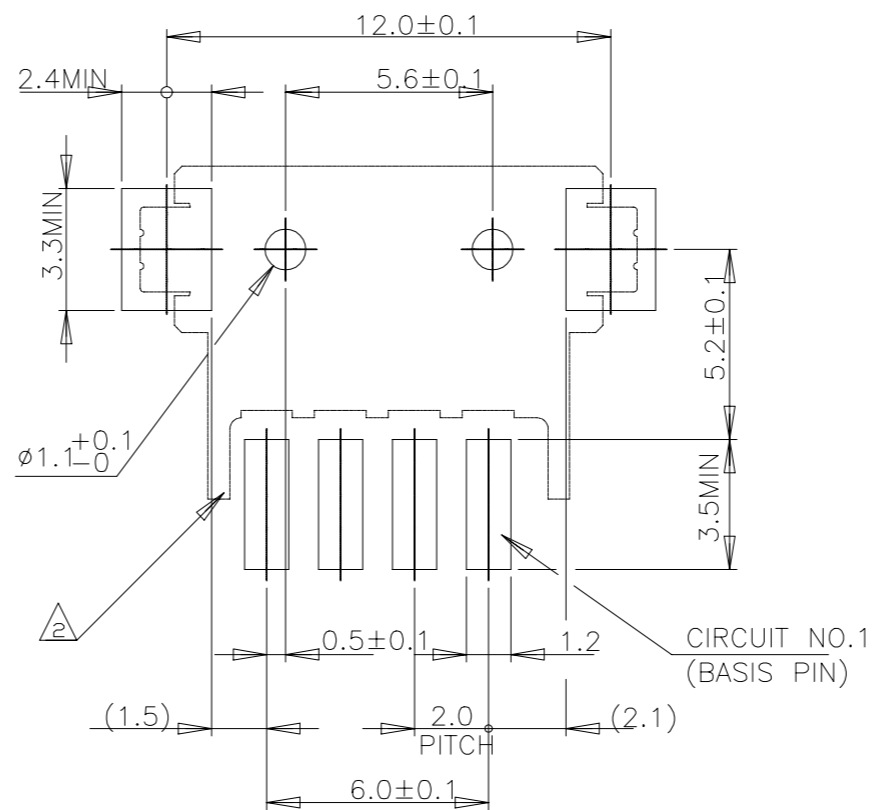
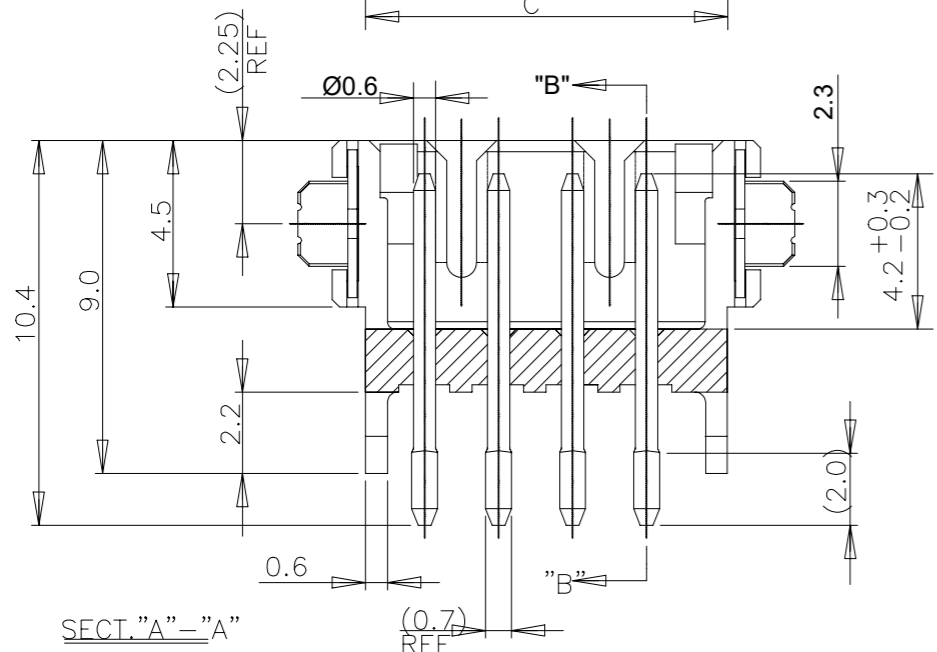
P	LTR	DESCRIPTION	DATE	DWN	APVD
-	-	SEE SHEET 1	-	-	-

D

(AS SHOWN : -4)

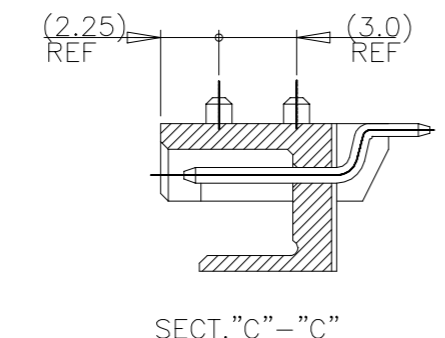
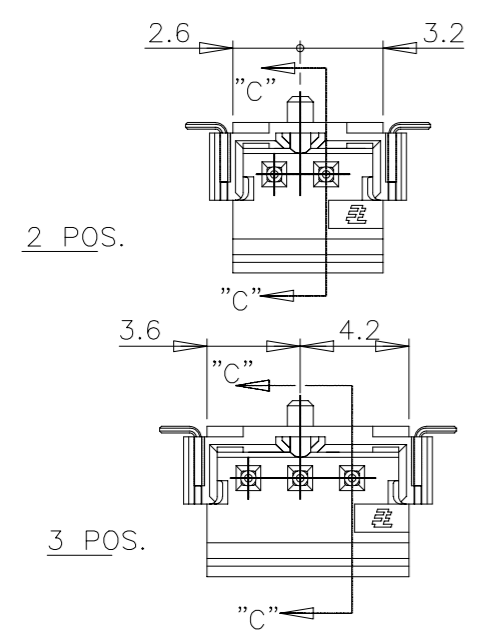


C



NOTES:
 1. MATERIAL:HSG-NYLON (UL94V-0)
 COLOR:BLACK ,NATURAL
 POST: TIN BRASS
 TAIL: TIN BRASS
 OCCUPANT AREA ON PC BOARD
 4P&ABOVE POS.
 2P&3P
 TO BE MEASURED WITH CONNECTOR PLACED
 ON HORIZONTAL DATUM SURFACE ,FLOAT OF
 SOLDER TINE AND TAIL FROM DATUM
 SURFACE IS 0.1mm MAX

B



NO ACCUMULATED TOLERANCE
 RECOMMENDED P.C.BOARD LAYOUT
 (P.C.B. THK:0.8mm MIN)

TOLERANCES UNLESS OTHERWISE SPECIFIED:
 10>* : ±0.2
 30>*>10 : ±0.25
 100>*>30 : ±0.3
 ANGEL : ±3°

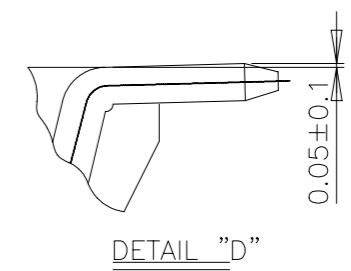
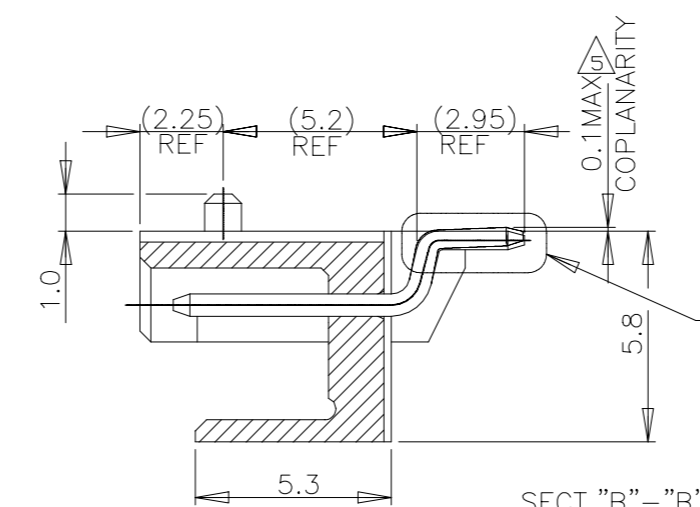
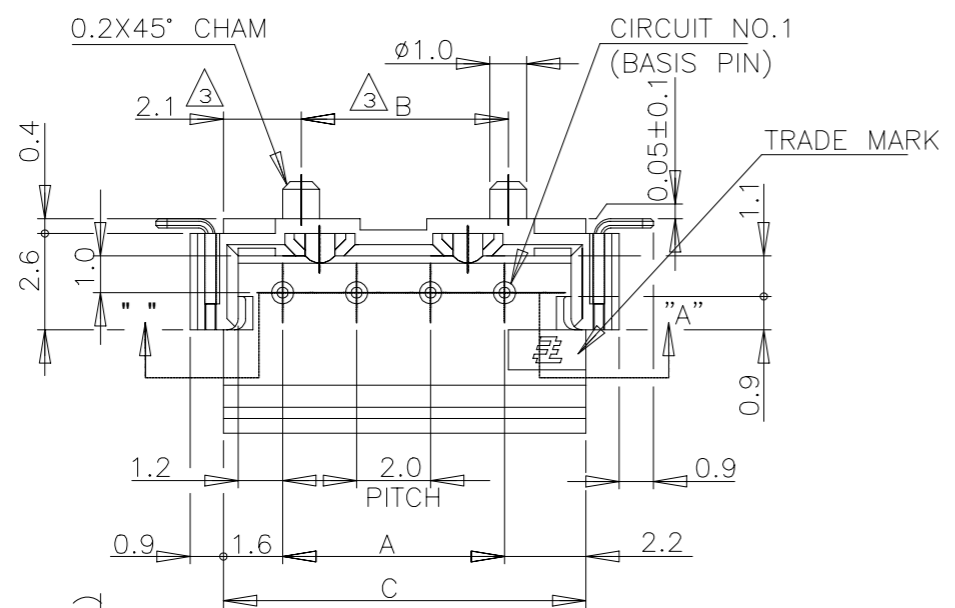
THIS DRAWING IS A CONTROLLED DOCUMENT.		DWN	-	
DIMENSIONS: MM		CHK	-	
TOLERANCES UNLESS OTHERWISE SPECIFIED:		APVD	-	
0 PLC ± -		PRODUCT SPEC	108-60016	
1 PLC ± -		APPLICATION SPEC	-	
2 PLC ± -		WEIGHT	-	
3 PLC ± -		CUSTOMER DRAWING	-	
4 PLC ± -		SCALE	/ /	
ANGLES ± -		SHEET	3 of 8	
MATERIAL	SEE NOTE	FINISH	SEE NOTE	
TE Connectivity Ltd.		NAME	-	
SMT TYPE POST HDR ASS'Y (H)		SIZE	A3	
WITH BOSS & TAIL TYPE		CAGE CODE	00779	
(TE CT CONN. 2mm PITCH)		DRAWING NO	C=292173	
RESTRICTED TO		REV	C5	

16.0	15.6	19.8	22.0	9	1-292173-9	292173-9
14.0	13.6	17.8	20.0	8	1-▲-8	▲-8
12.0	11.6	15.8	18.0	7	1-▲-7	▲-7
10.0	9.6	13.8	16.0	6	1-▲-6	▲-6
8.0	7.6	11.8	14.0	5	1-▲-5	▲-5
6.0	5.6	9.8	//	4	1-▲-4	▲-4
4.0	//	7.8	//	3	1-▲-3	▲-3
2.0	//	5.8	//	2	1-292173-2	292173-2
A	B	C	D	Pos.	NATURAL	BLACK
P/N						

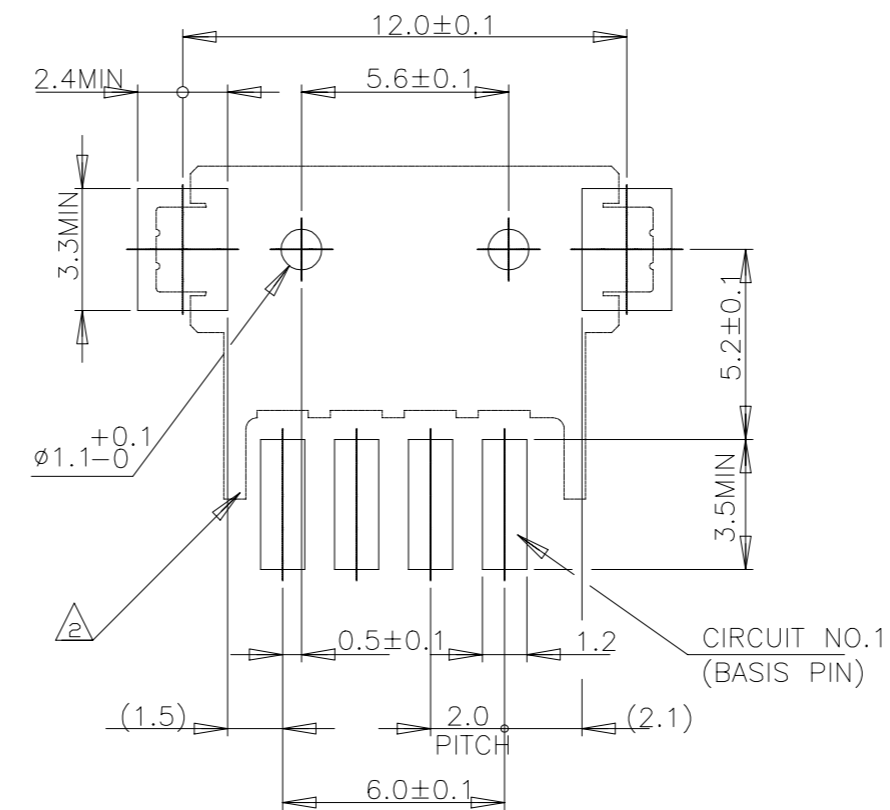
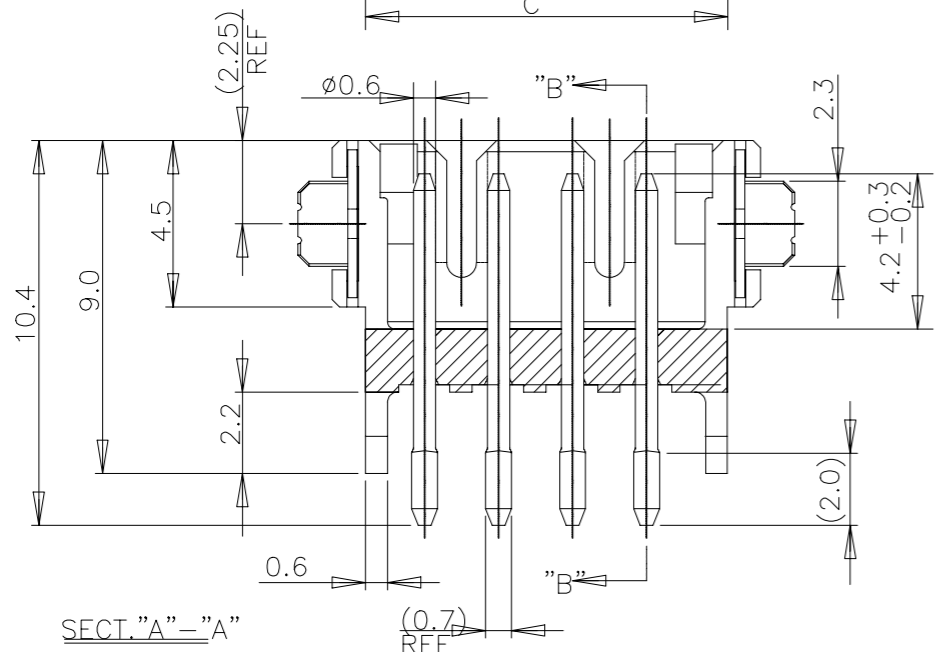
P	LTR	DESCRIPTION	DATE	DWN	APVD
-	-	SEE SHEET 1	-	-	-

D

(AS SHOWN : -4)



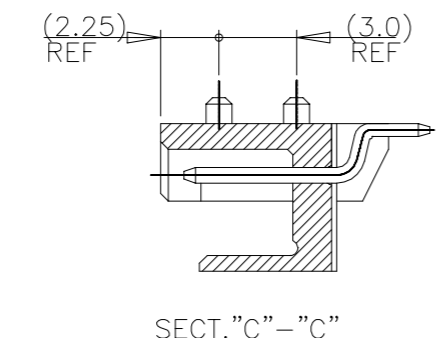
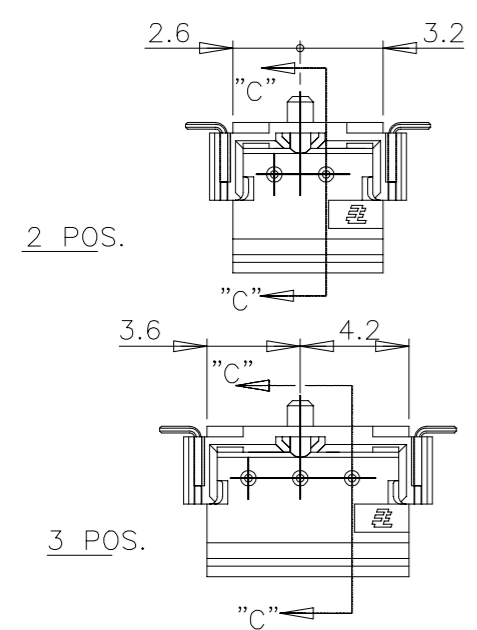
C



- NOTES:
- MATERIAL: HSG-NYLON (UL94V-0)
COLOR: BLACK, NATURAL
POST: TIN BRASS
TAIL: TIN BRASS
 - OCCUPANT AREA ON PC BOARD
 - 4P & ABOVE POS.
 - 2P & 3P
 - TO BE MEASURED WITH CONNECTOR PLACED ON HORIZONTAL DATUM SURFACE, FLOAT OF SOLDER TINE AND TAIL FROM DATUM SURFACE IS 0.1mm MAX

B

16.0	15.6	19.8	22.0	9	1-292173-9	292173-9
14.0	13.6	17.8	20.0	8	1- -8	-8
12.0	11.6	15.8	18.0	7	1- -7	-7
10.0	9.6	13.8	16.0	6	1- -6	-6
8.0	7.6	11.8	14.0	5	1- -5	-5
6.0	5.6	9.8	--	4	1- -4	-4
4.0	--	7.8	--	3	1- -3	-3
2.0	--	5.8	--	2	1-292173-2	292173-2
A	B	C	D	Pos.	NATURAL	BLACK
						P/N



NO ACCUMULATED TOLERANCE
RECOMMENDED P.C. BOARD LAYOUT
(P.C.B. THK: 0.8mm MIN)

TOLERANCES UNLESS OTHERWISE SPECIFIED:

10 > *	: ±0.2
30 > * > 10	: ±0.25
100 > * > 30	: ±0.3
ANGEL	: ±3°

THIS DRAWING IS A CONTROLLED DOCUMENT.		DWN	-	TE Connectivity Ltd.
DIMENSIONS: MM		CHK	-	
TOLERANCES UNLESS OTHERWISE SPECIFIED:		APVD	-	
0 PLC ± - 1 PLC ± - 2 PLC ± - 3 PLC ± - 4 PLC ± - ANGLES ± -		NAME	-	
MATERIAL: SEE NOTE		PRODUCT SPEC	108-60016	SMT TYPE POST HDR ASS'Y (H) WITH BOSS & TAIL TYPE (TE CT CONN. 2mm PITCH)
FINISH: SEE NOTE		APPLICATION SPEC	-	RESTRICTED TO
WEIGHT: -		SIZE	A3	CAGE CODE
CUSTOMER DRAWING		DRAWING NO	C=292173	00779
SCALE: //		SHEET	4	OF 8
		REV	C4	

A

4

3

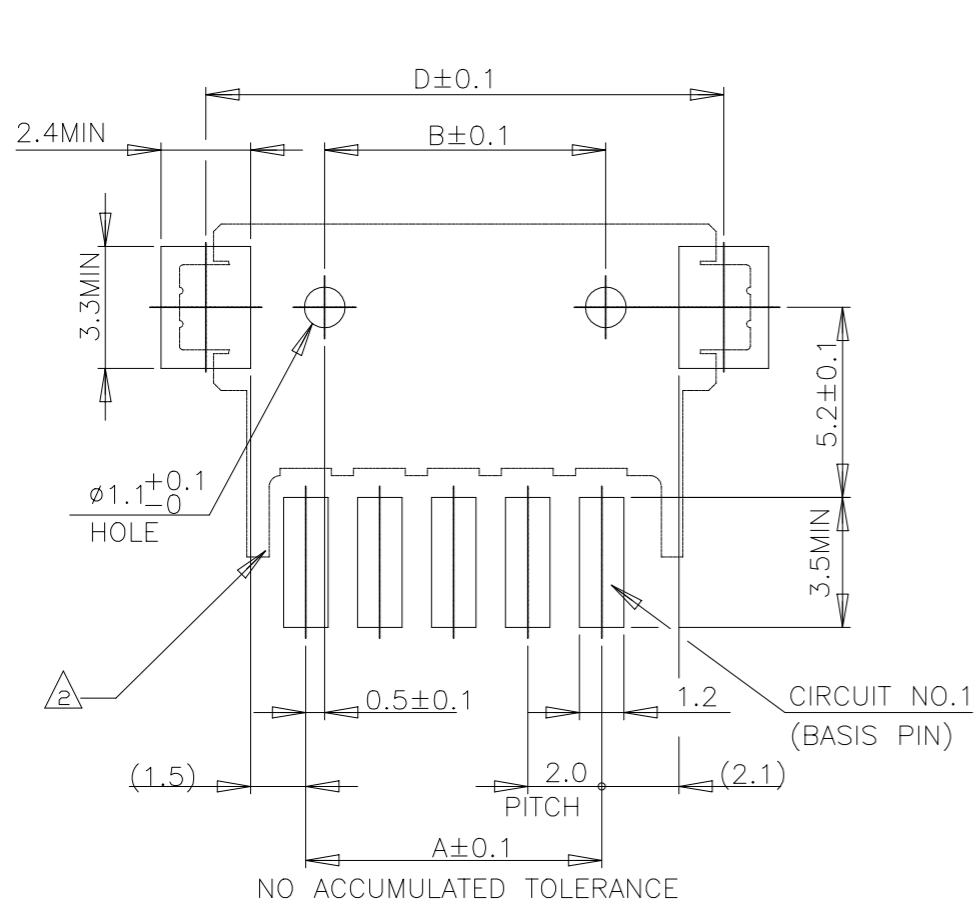
2

1

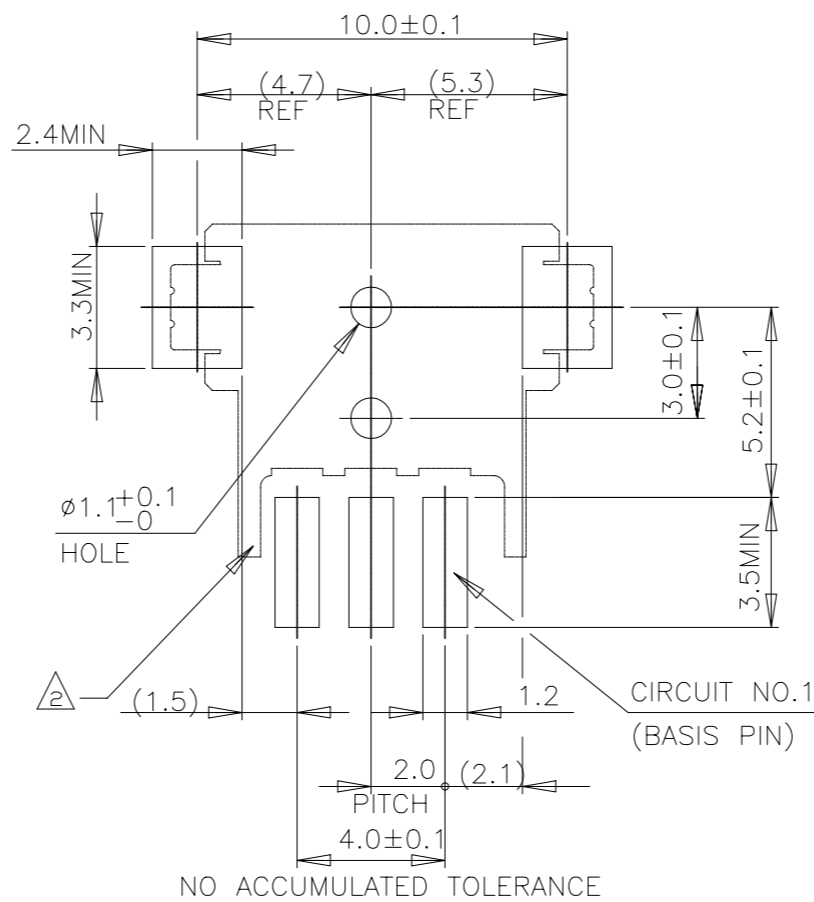
REVISIONS

P	LTR	DESCRIPTION	DATE	DWN	APVD
-	-	SEE SHEET 1	-	-	-

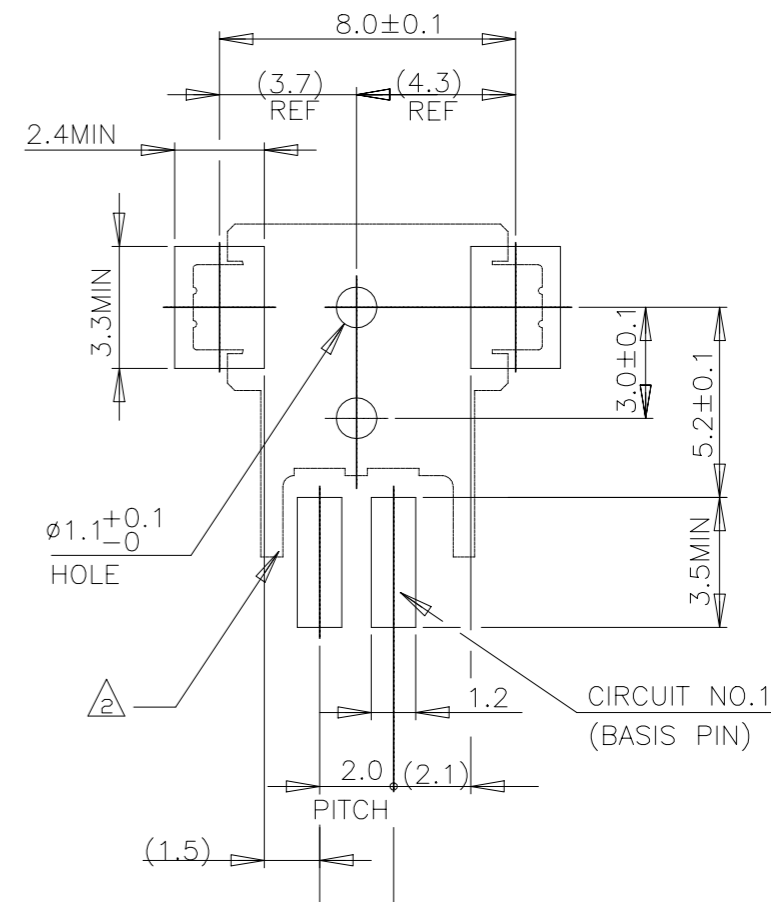
LAYOUT FOR 292173-X,1-292173-X



5 POS. & ABOVE POS.



3 POS.



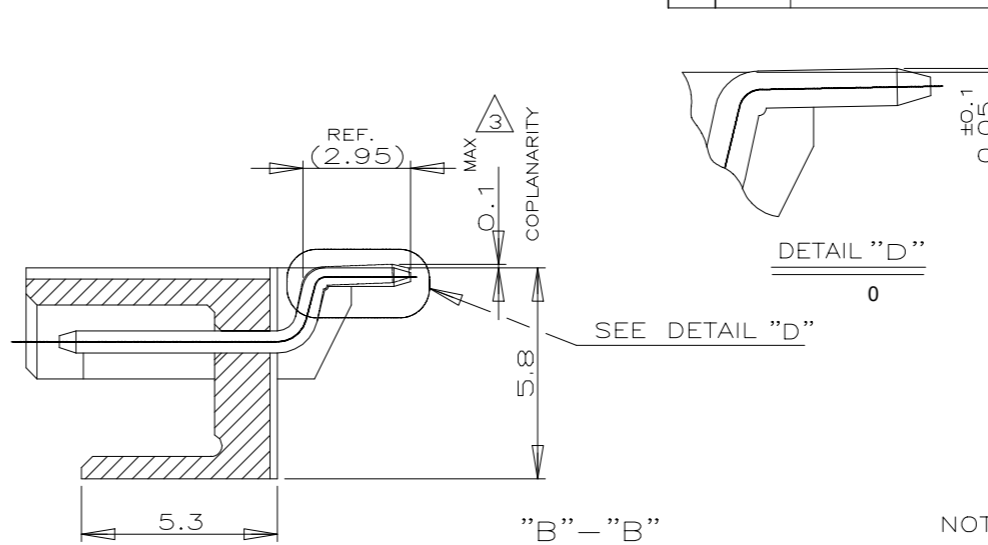
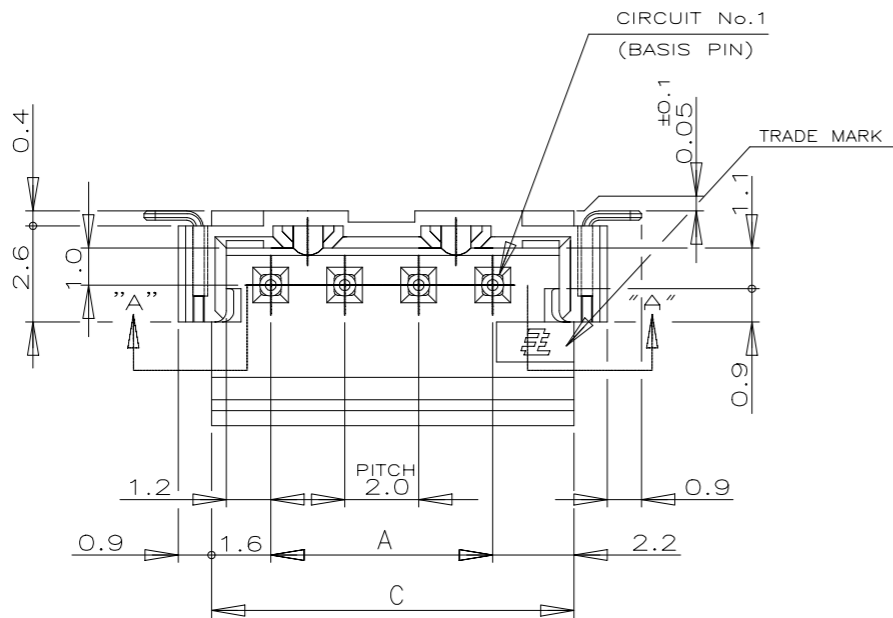
2 POS.

RECOMMENDED P.C. BOARD LAYOUT
(P.C.B THK:0.8mm MIN)

THIS DRAWING IS A CONTROLLED DOCUMENT.		DWN	-		
		CHK	-		
		APVD	-		
		PRODUCT SPEC	-		
		APPLICATION SPEC	-		
		WEIGHT	0		
		CUSTOMER DRAWING	SCALE \neq		
		SHEET 5 OF 8		REV C4	

TE Connectivity Ltd.		SMT TYPE POST HDR ASSY H WITH BOSS TYPE CT CONN. 2mm PITCH	
SIZE	CAGE CODE	DRAWING NO	RESTRICTED TO
A3	00779	C=292173	-

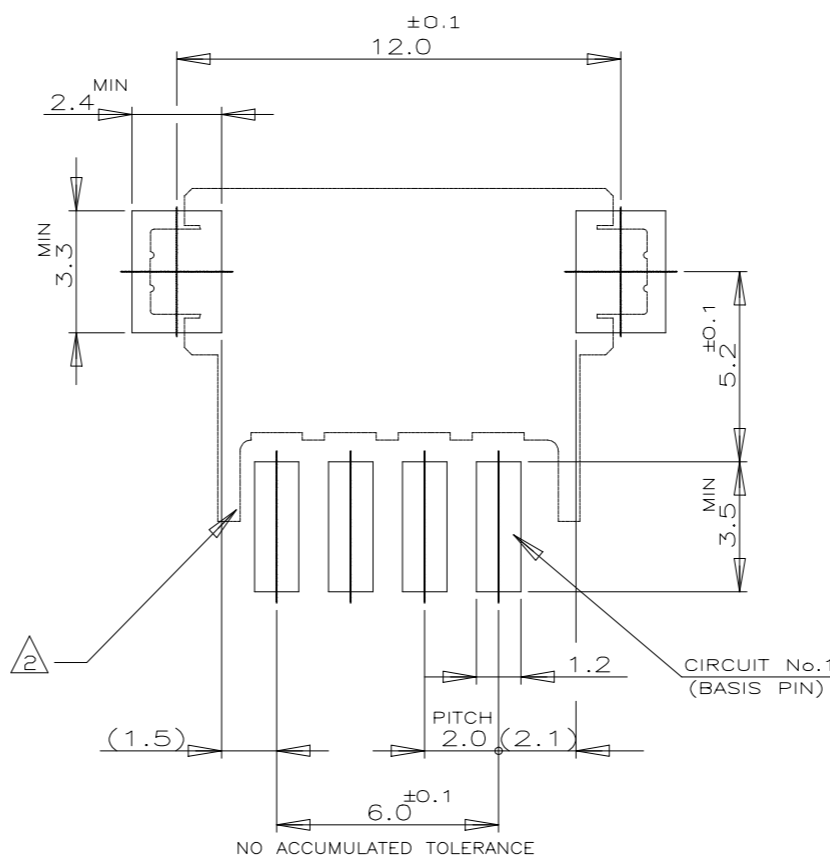
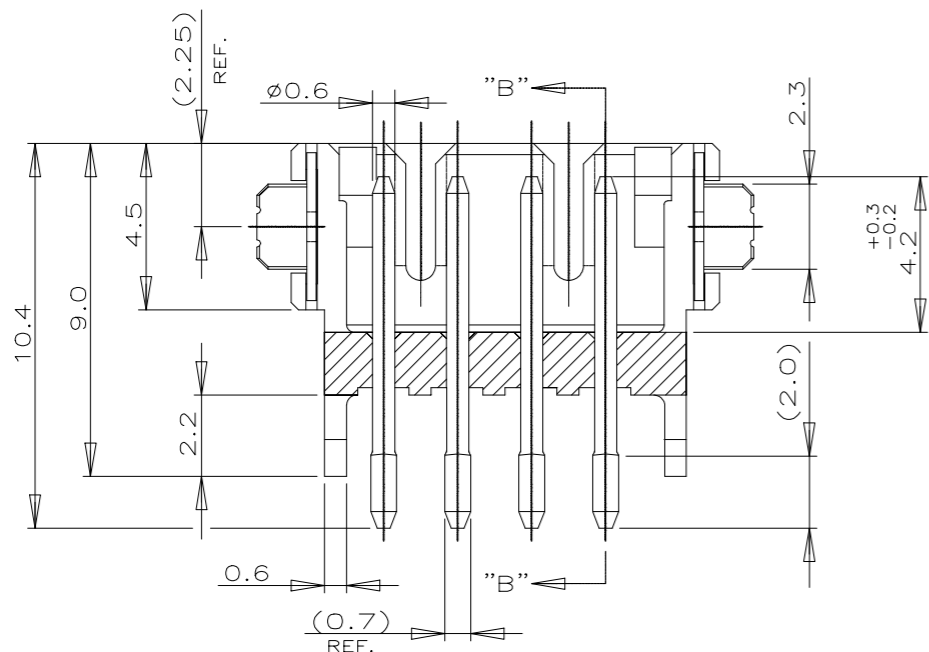
P	LTR	DESCRIPTION	DATE	DWN	APVD
-	-	SEE SHEET 1	-	-	-



(AS SHOWN :4P)

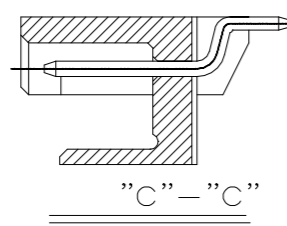
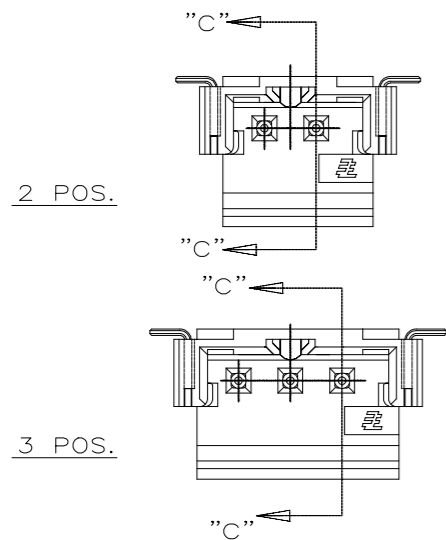
NOTES:

- MATERIAL : HSG-NYLON UL94V-0
COLOR:BLACK,NATURAL
POST:TIN BRASS
TAIL: TIN BRASS
- OCCUPANT AREA ON PC BOARD
- TO BE MEASURED WITH CONNECTOR PLACED ON HORIZONTAL DATUM SURFACE,FLOAT OF SOLDER TINE AND TAIL FROM DATUM SURFACE IS 0.1mm MAX



RECOMENOED P.C.BOARD LAYOUT
(P.C.B THK:0.8mm MIN)

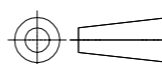
16.0	19.8	22.0	9	3-292173-9	2-292173-9
14.0	17.8	20.0	8	3-▲-8	2-▲-8
12.0	15.8	18.0	7	3-▲-7	2-▲-7
10.0	13.8	16.0	6	3-▲-6	2-▲-6
8.0	11.8	14.0	5	3-▲-5	2-▲-5
6.0	9.8	—	4	3-▲-4	2-▲-4
4.0	7.8	—	3	3-▲-3	2-▲-3
2.0	5.8	—	2	3-292173-2	2-292173-2
A	C	D	Pos.	NATURAL	BLACK
P/N					



R	D
0/	0.2
30/ 0	0.2
00/ 30	0.3
	3

THIS DRAWING IS A CONTROLLED DOCUMENT.

DIMENSIONS:
MM



MATERIAL
SEE NOTE

TOLERANCES UNLESS OTHERWISE SPECIFIED:

0 PLC	±	-
1 PLC	±	-
2 PLC	±	-
3 PLC	±	-
4 PLC	±	-
ANGLES	±	-

FINISH
SEE NOTE

DWN	-
CHK	-
APVD	-
PRODUCT SPEC	108-60016
APPLICATION SPEC	-
WEIGHT	-
CUSTOMER DRAWING	-

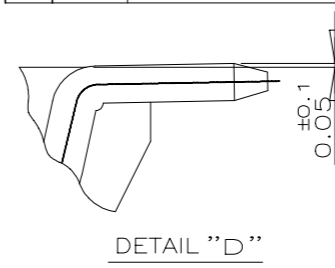
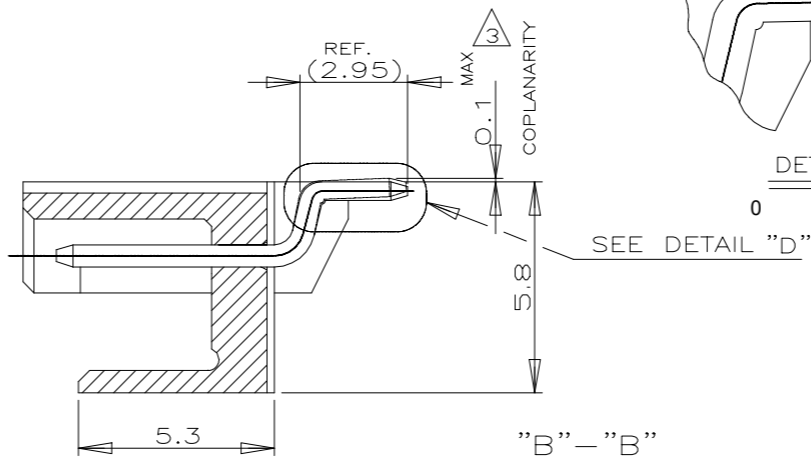
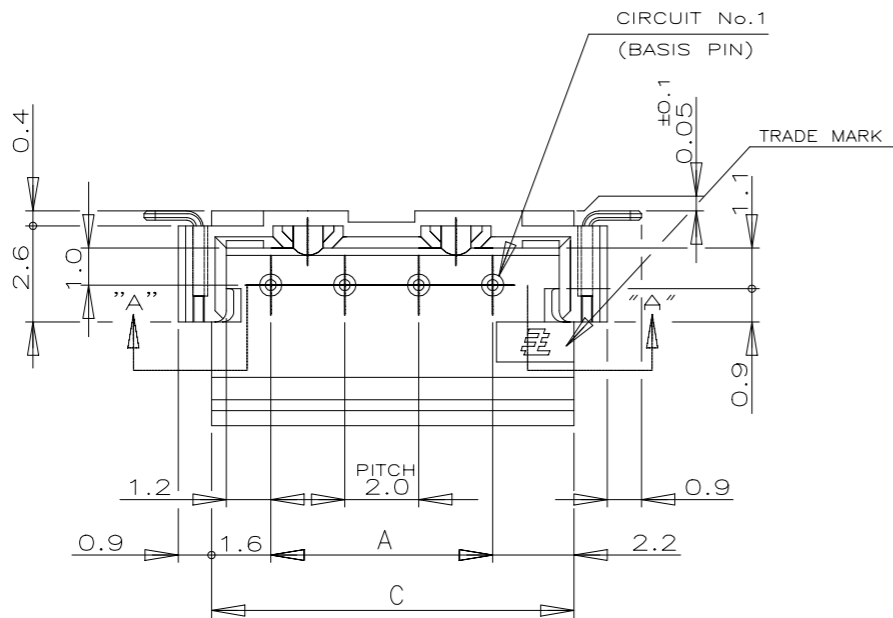
STE TE Connectivity Ltd.

SMT TYPE POST HDR ASS'Y (BOX-H)
W/O BOSS,WITH TAIL TYPE
(TE CT CONN. 2mm PITCH)

SIZE	CAGE CODE	DRAWING NO	RESTRICTED TO
A3	00779	C=292173	-

SCALE \neq SHEET 6 OF 8 REV C4

P	LTR	DESCRIPTION	DATE	DWN	APVD
-	-	SEE SHEET 1	-	-	-

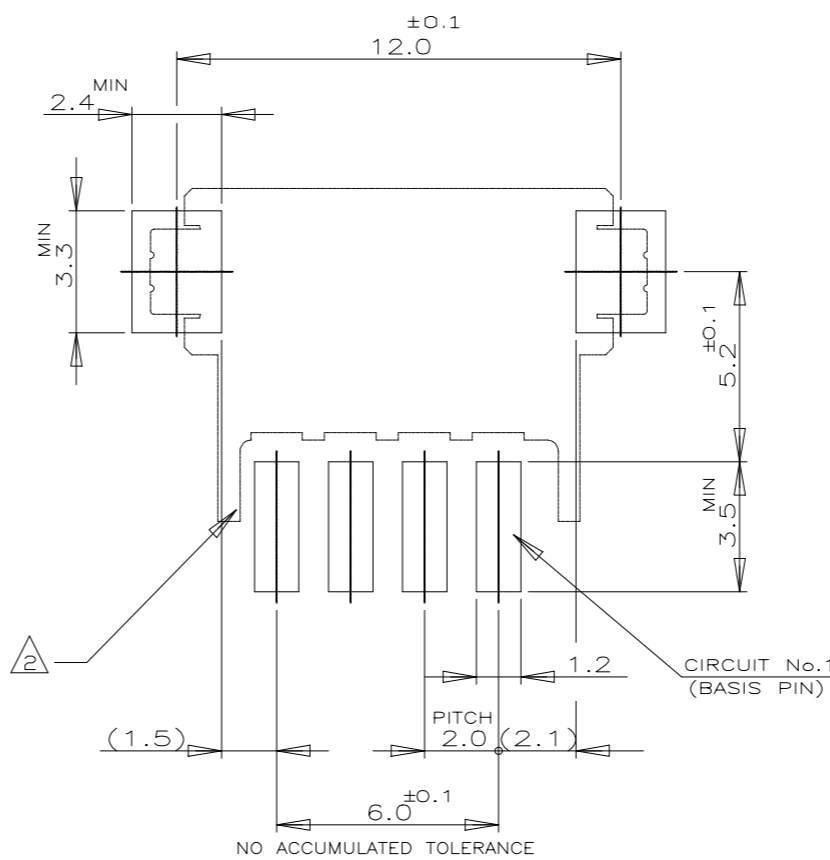
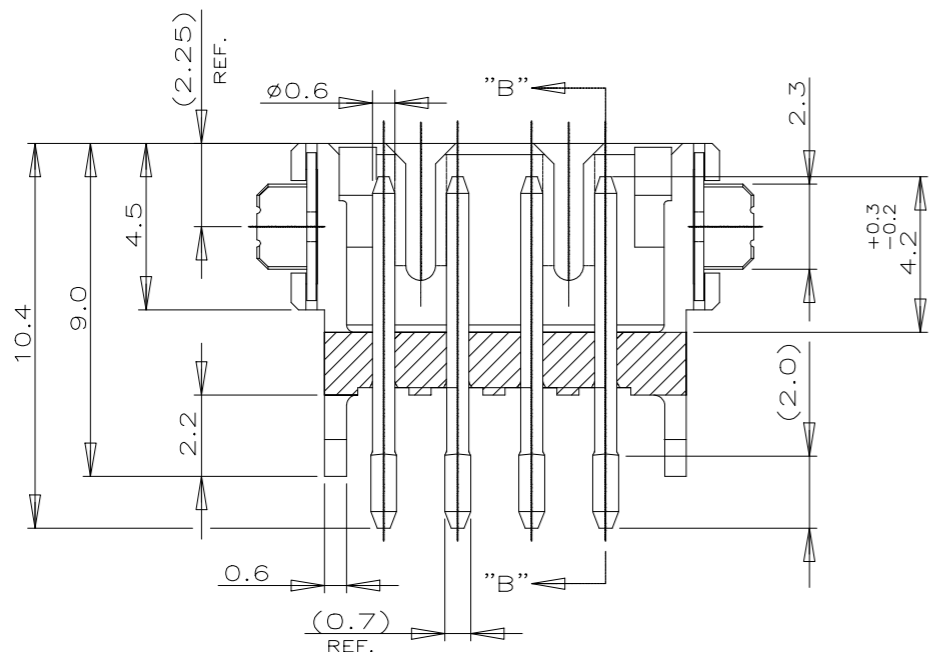


(AS SHOWN :4P)

NOTES:

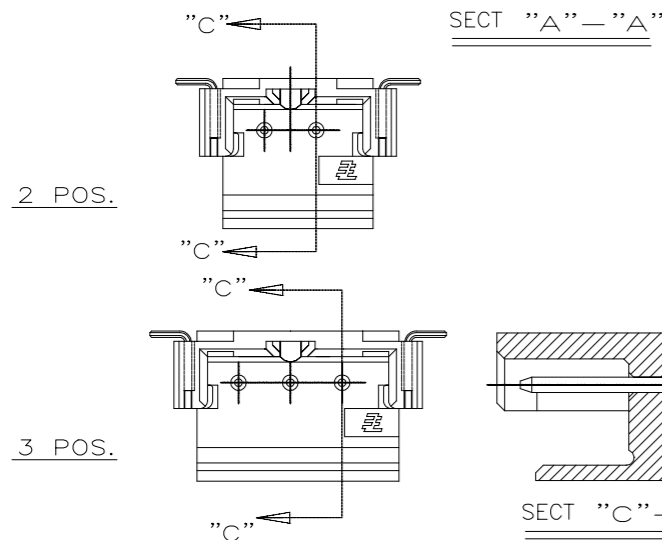
- MATERIAL : HSG-NYLON UL94V-0
COLOR:BLACK,NATURAL
POST:TIN BRASS
TAIL: TIN BRASS

- OCCUPANT AREA ON PC BOARD
- TO BE MEASURED WITH CONNECTOR PLACED ON HORIZONTAL DATUM SURFACE,FLOAT OF SOLDER TINE AND TAIL FROM DATUM SURFACE IS 0.1mm MAX



RECOMENOED P.C.BOARD LAYOUT
(P.C.B THK:0.8mm MIN)

16.0	19.8	22.0	9	3-292173-9	2-292173-9
14.0	17.8	20.0	8	3-▲-8	2-▲-8
12.0	15.8	18.0	7	3-▲-7	2-▲-7
10.0	13.8	16.0	6	3-▲-6	2-▲-6
8.0	11.8	14.0	5	3-▲-5	2-▲-5
6.0	9.8	—	4	3-▲-4	2-▲-4
4.0	7.8	—	3	3-▲-3	2-▲-3
2.0	5.8	—	2	3-292173-2	2-292173-2
A	C	D	Pos.	NATURAL	BLACK
P/N					



TOLERANCES UNLESS OTHERWISE SPECIFIED:
 10>* : ±0.2
 30>* > 10 : ±0.25
 100>* > 30 : ±0.3
 ANGEL : ±3°

THIS DRAWING IS A CONTROLLED DOCUMENT.		DWN	TE Connectivity Ltd.		
DIMENSIONS: MM		CHK	NAME		
TOLERANCES UNLESS OTHERWISE SPECIFIED:		APVD	SMT TYPE POST HDR ASS'Y (BOX-H) W/O BOSS,WITH TAIL TYPE (TE CT CONN. 2mm PITCH)		
0 PLC ±		PRODUCT SPEC	108-60016		
1 PLC ±		APPLICATION SPEC	-		
2 PLC ±		WEIGHT	-		
3 PLC ±		CUSTOMER DRAWING	SIZE	CAGE CODE	DRAWING NO
4 PLC ±			A3	00779	C=292173
ANGLES ±			RESTRICTED TO		
MATERIAL SEE NOTE		FINISH SEE NOTE	SCALE	SHEET	REV
			++	7 of 8	C4

4

3

2

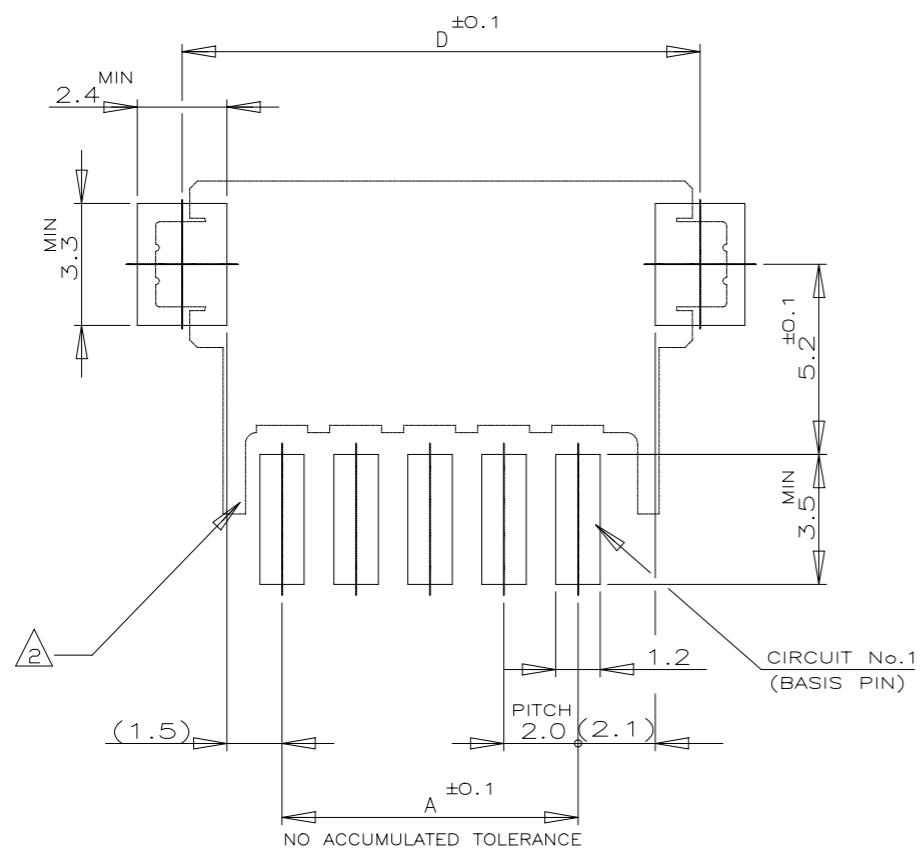
1

© - TE Connectivity. All Rights Reserved.

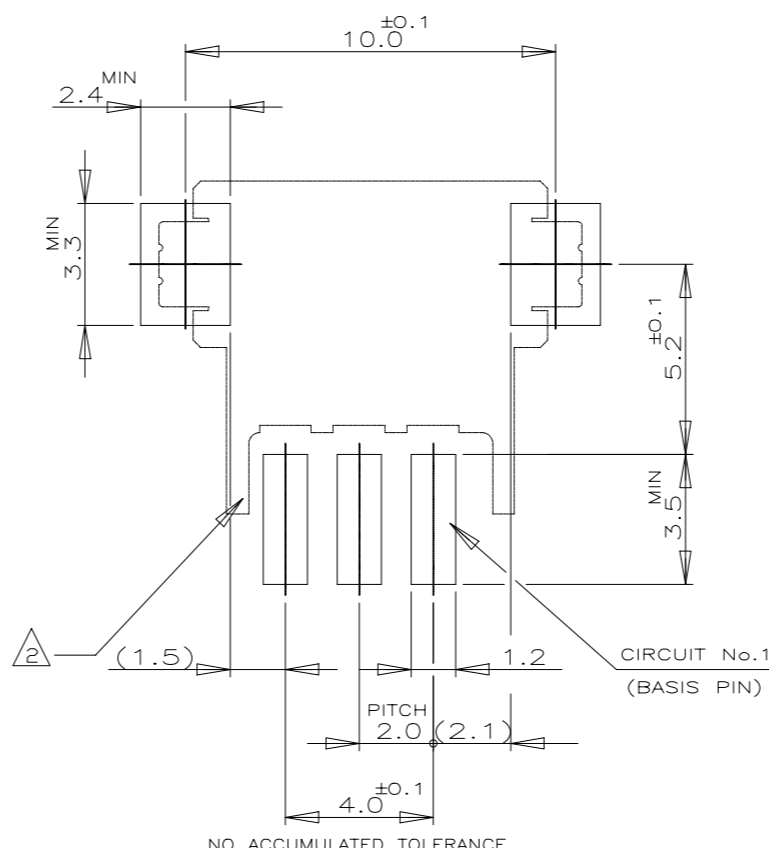
REVISIONS

P	LTR	DESCRIPTION	DATE	DWN	APVD
-	-	SEE SHEET 1	-	-	-

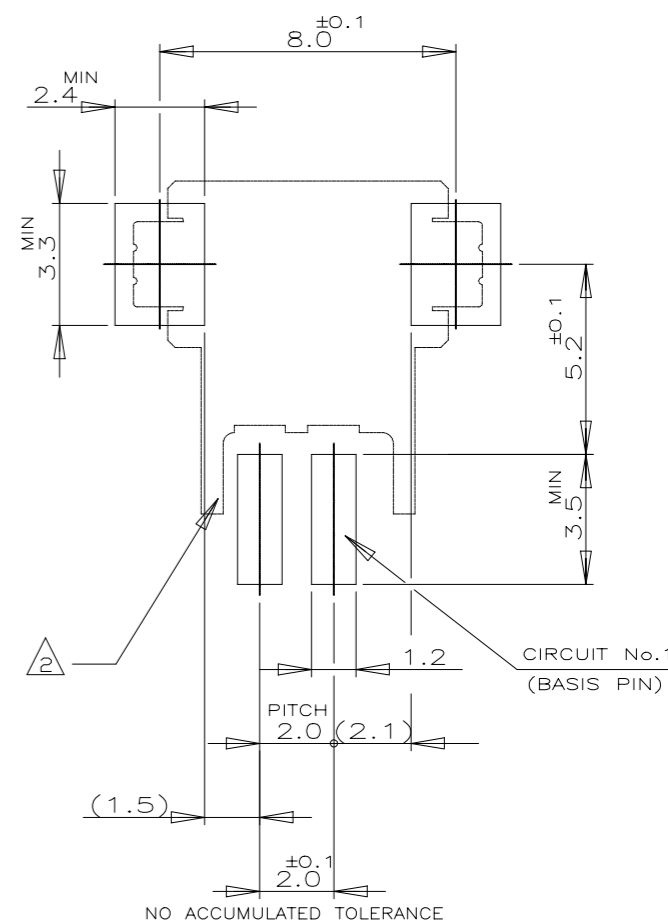
LAYOUT FOR 2-292173-X,3-2-292173-X



5 POS & ABOVE POS



3 POS



2POS

RECOMENOD P.C.BOARD LAYOUT
(P.C.B THK:0.8mm MIN)

THIS DRAWING IS A CONTROLLED DOCUMENT.		DWN	-		TE Connectivity Ltd.	
DIMENSIONS: MM		CHK	-		NAME	
TOLERANCES UNLESS OTHERWISE SPECIFIED:		APVD	-	SMT TYPE POST HDR ASS'Y (H) W/O, WITH TAIL TYPE (TE CT CONN. 2mm PITCH)		
0 PLC ± -		PRODUCT SPEC	-	SIZE	CAGE CODE	DRAWING NO
1 PLC ± -		APPLICATION SPEC	-	A3	00779	C=292173
2 PLC ± -		WEIGHT	-	RESTRICTED TO		
3 PLC ± -		CUSTOMER DRAWING	-	SCALE	SHEET	REV
4 PLC ± -			-	+/+	8 OF 8	C4
ANGLES ± -			-			
MATERIAL			-			
FINISH			-			

Mouser Electronics

Authorized Distributor

Click to View Pricing, Inventory, Delivery & Lifecycle Information:

[TE Connectivity:](#)

[292173-6](#)