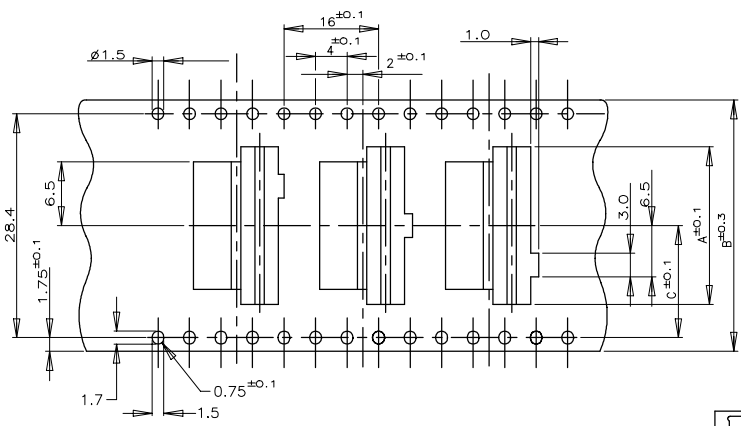
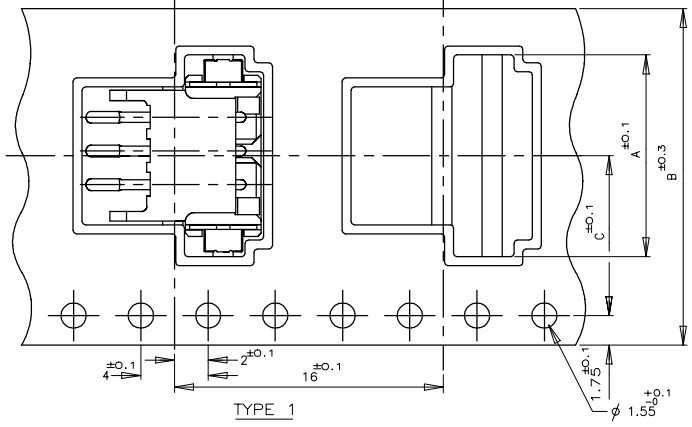


THIS DRAWING IS UNPUBLISHED. RELEASED FOR PUBLICATION
 © COPYRIGHT - By - ALL RIGHTS RESERVED.

LOC	DIST	REVISIONS					
ES	00	P	LTR	DESCRIPTION	DATE	DWN	APVD
		C4	ECR-21-101067		09APR2021	T.Q	N.S

(AS SHOWN : 3P)



TYPE 3 FOR 7P ONLY
 THREE KINDS OF DIFFERENT POCKETS AS 1 SET
 USED FOR 7P ONLY

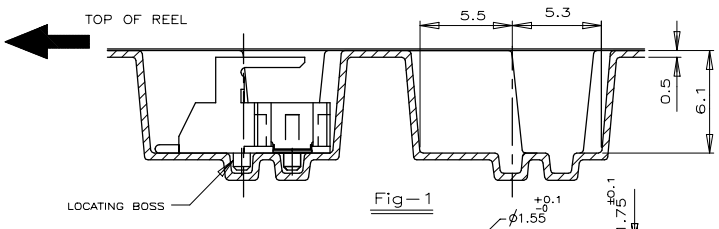
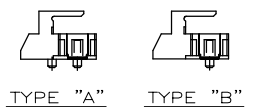
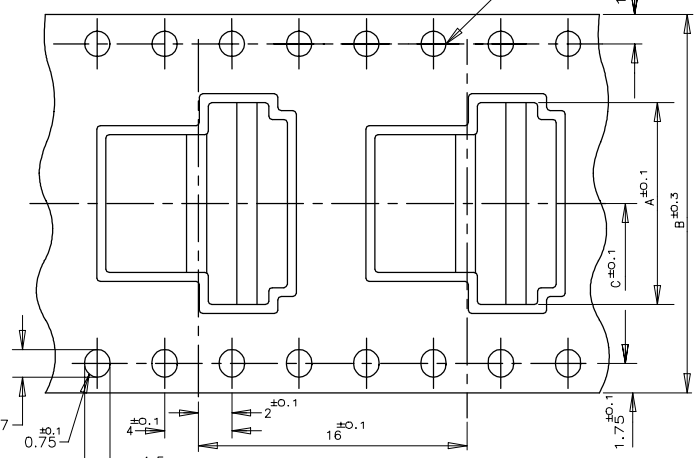


Fig-1



TYPE 2

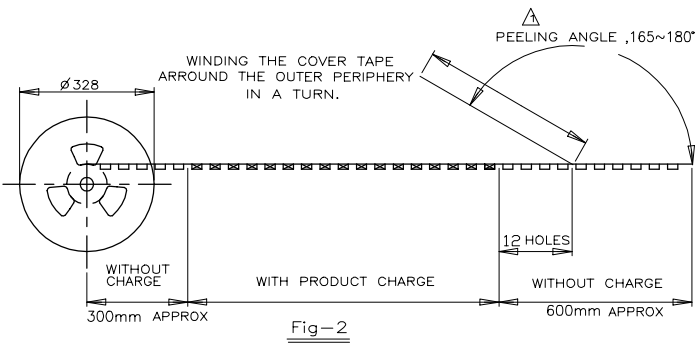


Fig-2

NATURAL	WITH	TYPE 2	B	20.2	44	24	500	9	1-292173-9
			B	20.2	44	22		8	1- -8
		TYPE 3	B	14.2	32	20		7	1- -7
		TYPE 2	B	14.2	32	18		6	1- -6
BLACK	WITHOUT CHARGE	TYPE 1	B	11.5	24	16		5	1- -5
			A			14		4	1- -4
		A	11.5	24	10		2	1- -2	
		B	20.2	44	24		9	0- -9	
	WITH PRODUCT CHARGE	TYPE 2	B	20.2	44	22		8	0- -8
			TYPE 3	B	14.2	32	20		7
		TYPE 2	B	14.2	32	18		6	0- -6
			B	11.5	24	16		5	0- -5
TYPE 1	B			14		4	0- -4		
	A			12		3	0- -3		
WITH		A	11.5	24	10	500	2	0-292173-2	

TOLERANCE UNLESS OTHERWISE SPECIFIED:

10*	±0.2
30>>10	±0.25
100>>30	±0.3
ANGLE	±3'

NOTES:
 ▲ PEELING RESISTANCE : 0.196N-0.686N (20gf-70gf)
 SPEED : 300mm/min

THIS DRAWING IS A CONTROLLED DOCUMENT.		DWN	JACK HOU	21SEP10
DIMENSIONS: MM		CHK	MARTIN LI	21SEP10
TOLERANCES UNLESS OTHERWISE SPECIFIED:		APVD	STEVEN YAO	21SEP10
0 PLC ±		PRODUCT SPEC		
1 PLC ±		APPLICATION SPEC		
2 PLC ±		WEIGHT		
3 PLC ±		CUSTOMER DRAWING		
4 PLC ±		SCALE	++	
ANGLES ±		SHEET	1 of 6	REV C4
MATERIAL FINISH				

STE TE Connectivity

ON TAPING (EMBOSS)
 TE CT CONNECTOR POST HEADER ASS'Y
 (BOX-H SMT TYPE W/BOSS & TAIL)

SIZE: A3 CAGE CODE: 00779 DRAWING NO: C-292173 RESTRICTED TO: -

THIS DRAWING IS UNPUBLISHED. RELEASED FOR PUBLICATION
 © COPYRIGHT - By - ALL RIGHTS RESERVED.

LOC	DIST	REVISIONS					
ES	00	P	LTR	DESCRIPTION	DATE	DWN	APVD
		-		SEE SHEET 1	-	-	-

(AS SHOWN : 3P)

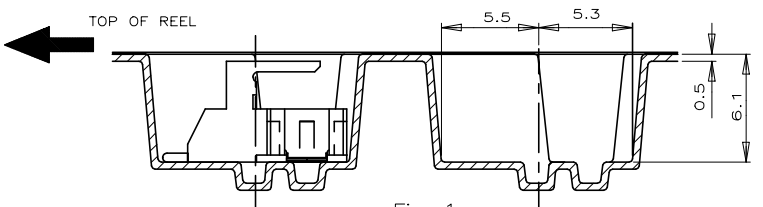
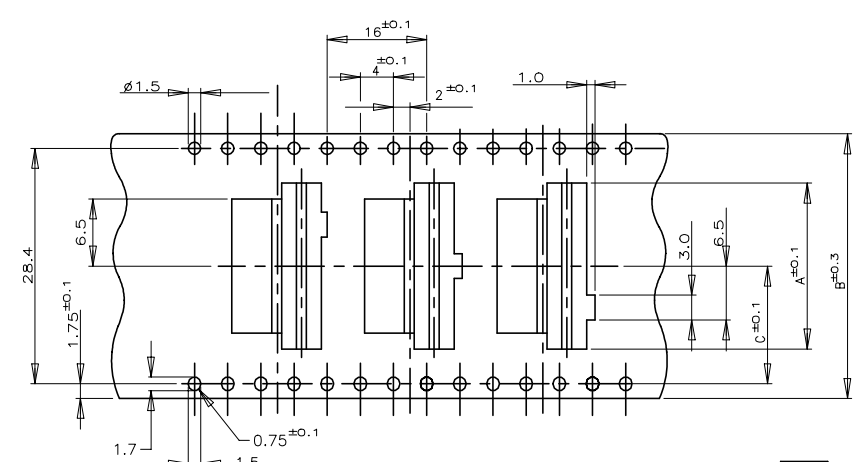
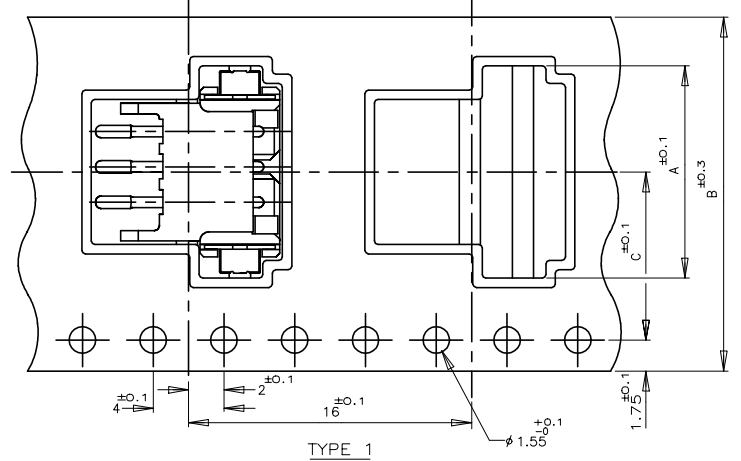
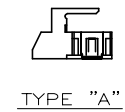
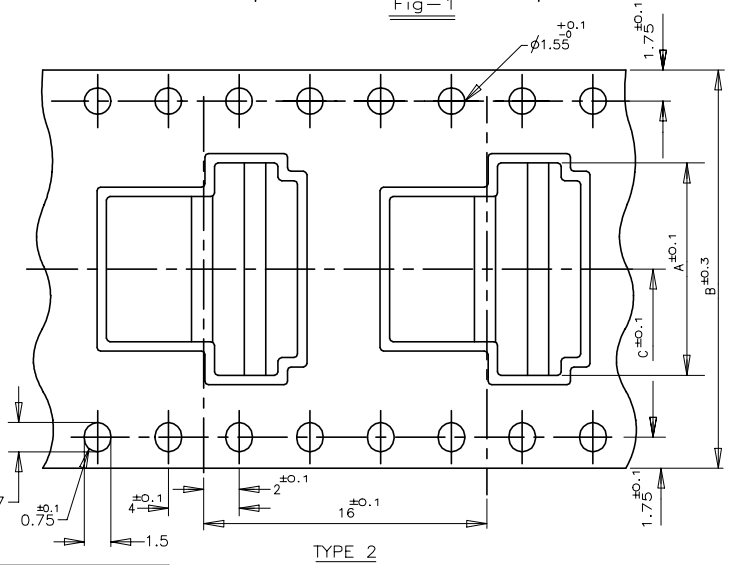


Fig-1

TYPE 3 FOR 7P ONLY
 THREE KINDS OF DIFFERENT POCKETS AS 1 SET
 USED FOR 7P ONLY



TYPE "A"



TYPE 2

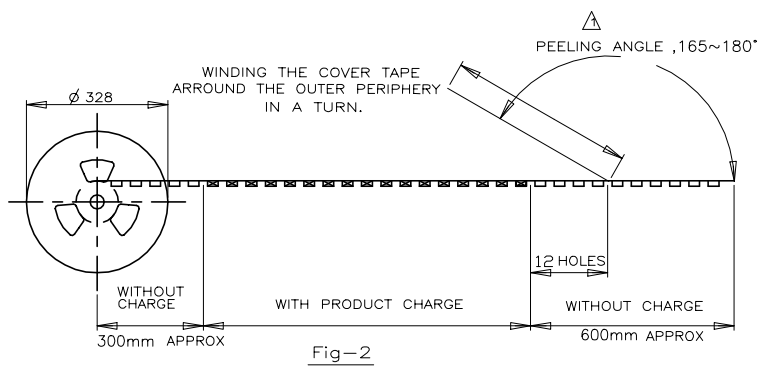


Fig-2

COLOR	PLATE	TAPE TYPE	TYPE OF BOSS	C	B	A	QTY/REEL	Pos	TAPING	P/N	
NATURAL	WITH	TYPE 2	A	20.2	44	24	500	9	3-	292173-9	
			A	20.2	44	22		8	3-	-8	
			TYPE 3	A	14.2	32	20		7	3-	-7
			TYPE 2	A	14.2	32	18		6	3-	-6
			TYPE 1	A	11.5	24	16		5	3-	-5
				A			14		4	3-	-4
BLACK	WITH	TYPE 1	A			12		3	3-	-3	
			A	11.5	24	10		2	3-	-2	
		TYPE 2	A	20.2	44	24		9	2-	-9	
			A	20.2	44	22		8	2-	-8	
		TYPE 3	A	14.2	32	20		7	2-	-7	
			A	14.2	32	18		6	2-	-6	
WITH	TYPE 1	A	11.5	24	16		5	2-	-5		
		A			14		4	2-	-4		
		A			12		3	2-	-3		
WITH		TYPE 1	A	11.5	24	10	500	2	2-292173-2		

TOLERANCE UNLESS OTHERWISE SPECIFIED:

10>*	:±0.2
30>*>10	:±0.25
100>*>30	:±0.3
ANGLE	:±3'

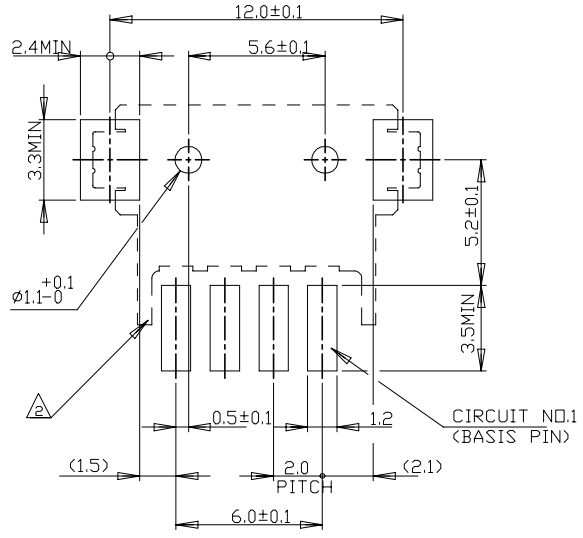
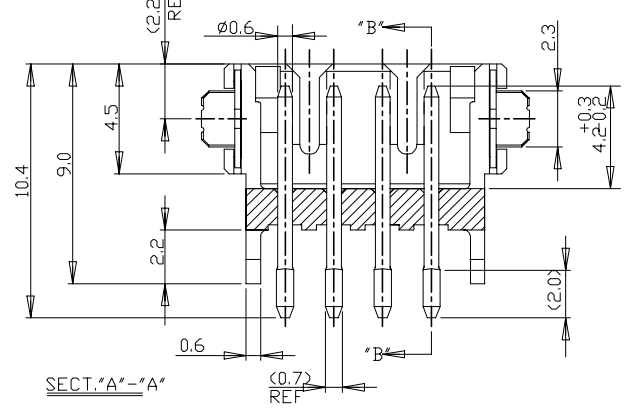
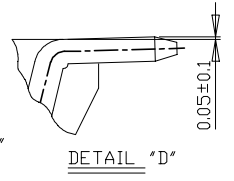
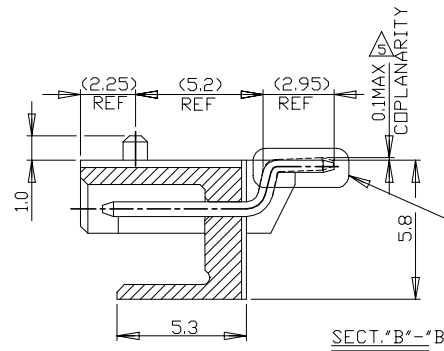
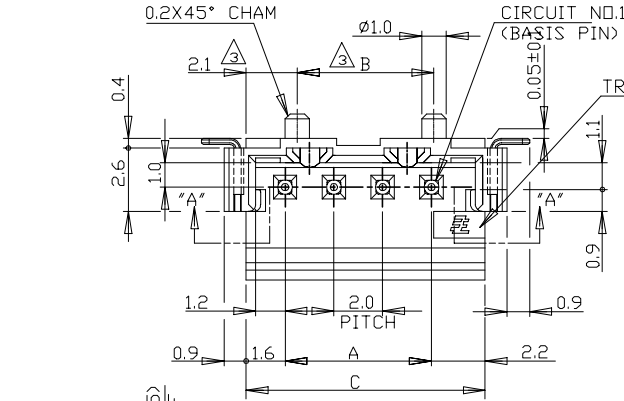
NOTES:
 ▲ PEELING RESISTANCE : 0.196N-0.686N (20gf-70gf)
 SPEED : 300mm/min

THIS DRAWING IS A CONTROLLED DOCUMENT.

DIMENSIONS: MM	TOLERANCES UNLESS OTHERWISE SPECIFIED:	DWN	CHK	APVD	NAME
0 PLC ±	1 PLC ±	PRODUCT SPEC	APPLICATION SPEC	WEIGHT	CUSTOMER DRAWING
2 PLC ±	3 PLC ±	TE Connectivity			ON TAPING (EMBOSS)
4 PLC ±	ANGLES ±	TE CT CONNECTOR POST HEADER ASS'Y (BOX-H SMT TYPE W/O BOSS & W/ TAIL)			RESTRICTED TO
MATERIAL	FINISH	SIZE	CAGE CODE	DRAWING NO	
		A300779	C-292173		
		SCALE	SHEET	REV	
		+/+	2 OF 6	C4	

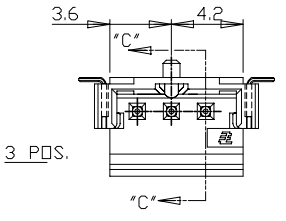
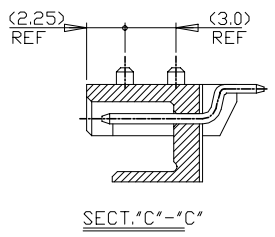
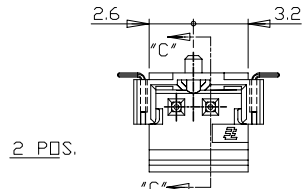
THIS DRAWING IS UNPUBLISHED. RELEASED FOR PUBLICATION
 © COPYRIGHT - By - ALL RIGHTS RESERVED.

LOC	DIST	REVISIONS					
ES	00	P	LTR	DESCRIPTION	DATE	DWN	APVD
		-		SEE SHEET 1	-	-	-



NOTES:
 1. MATERIAL:HSG-NYLON (UL94V-0)
 COLOR:BLACK ,NATURAL
 POST: TIN BRASS
 TAIL: TIN BRASS
 OCCUPANT AREA ON PC BOARD
 4P&ABOVE POS.
 2P&3P
 TO BE MEASURED WITH CONNECTOR PLACED
 ON HORIZONTAL DATUM SURFACE ,FLD&T OF
 SOLDER TINE AND TAIL FROM DATUM
 SURFACE IS 0.1mm MAX

16.0	15.6	19.8	22.0	9	1-292173-9	292173-9
14.0	13.6	17.8	20.0	8	1- -8	-8
12.0	11.6	15.8	18.0	7	1- -7	-7
10.0	9.6	13.8	16.0	6	1- -6	-6
8.0	7.6	11.8	14.0	5	1- -5	-5
6.0	5.6	9.8	---	4	1- -4	-4
4.0	---	7.8	---	3	1- -3	-3
2.0	---	5.8	---	2	1-292173-2	292173-2
A	B	C	D	Pos.	NATURAL	BLACK
P/N						



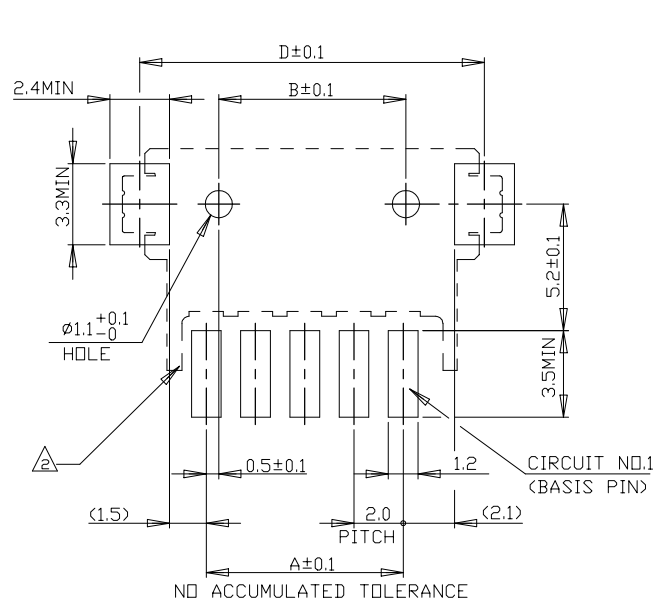
TOLERANCES UNLESS OTHERWISE SPECIFIED:
 10>* : ±0.2
 30>* >10 : ±0.25
 100>* >30 : ±0.3
 ANGEL : ±3°

THIS DRAWING IS A CONTROLLED DOCUMENT.		DWN	TE Connectivity		
DIMENSIONS: MM		CHK	NAME		
TOLERANCES UNLESS OTHERWISE SPECIFIED:		APVD	SMT TYPE POST HDR ASS'Y (H) WITH BOSS & TAIL TYPE (TE CT CONN. 2mm PITCH)		
0 PLC ±		PRODUCT SPEC		SIZE	RESTRICTED TO
1 PLC ±		108-60016		A3	-
2 PLC ±		APPLICATION SPEC		CAGE CODE	DRAWING NO
3 PLC ±		-		00779	©=292173
4 PLC ±		WEIGHT		SCALE	SHEET
ANGLES ±		-		5:1	3 OF 6
FINISH		CUSTOMER DRAWING		REV	C4
SEE NOTE		-			

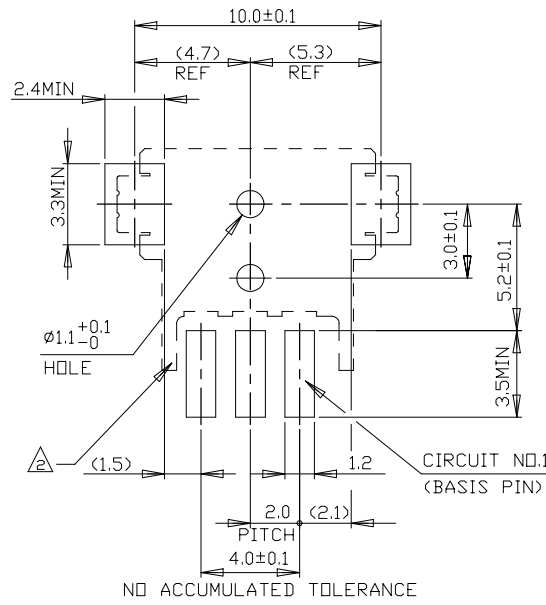
THIS DRAWING IS UNPUBLISHED. RELEASED FOR PUBLICATION
 © COPYRIGHT - By - ALL RIGHTS RESERVED.

LOC	DIST	REVISIONS					
ES	00	P	LTR	DESCRIPTION	DATE	DWN	APVD
		-	-	SEE SHEET 1	-	-	-

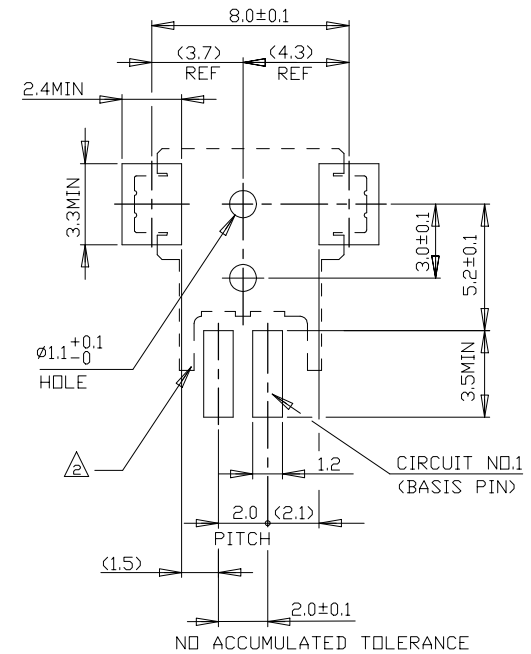
LAYOUT FOR 292173-X,1-292173-X



5 PDS. & ABOVE PDS.



3 PDS.



2 PDS.

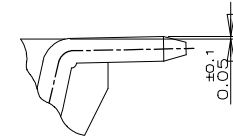
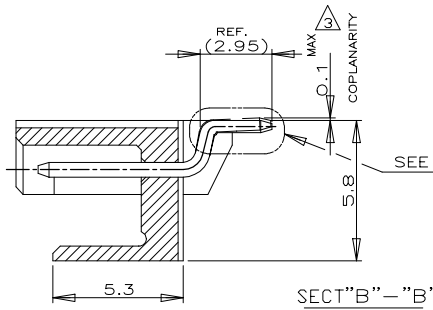
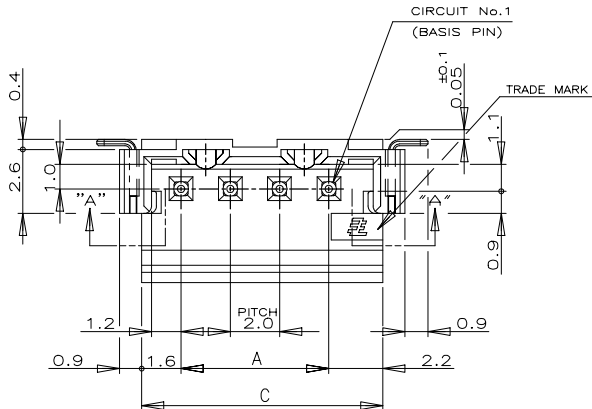
RECOMMENDED P.C. BOARD LAYOUT
 (P.C.B THK:0.8mm MIN)

THIS DRAWING IS A CONTROLLED DOCUMENT.		DWN			
DIMENSIONS: MM		CHK			
TOLERANCES UNLESS OTHERWISE SPECIFIED:		APVD	NAME		
0 PLC ±		PRODUCT SPEC	SMT TYPE POST HDR ASS'Y (H)		
1 PLC ±		APPLICATION SPEC	WITH BOSS & TAIL TYPE		
2 PLC ±		WEIGHT	SIZE	CAGE CODE	DRAWING NO
3 PLC ±			A3	00779	C-292173
4 PLC ±		CUSTOMER DRAWING	RESTRICTED TO		
ANGLES ±		SCALE	SHEET		REV
FINISH		5:1	4 OF 6		C4



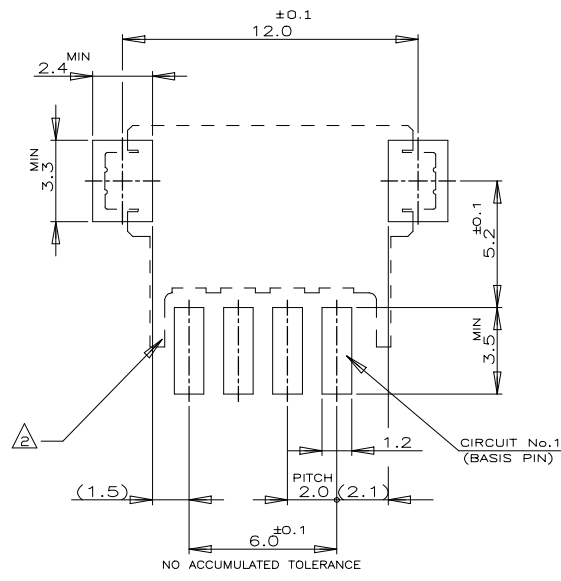
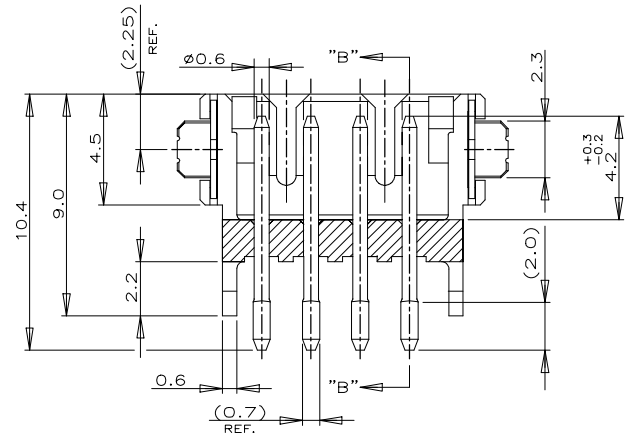
THIS DRAWING IS UNPUBLISHED. RELEASED FOR PUBLICATION
 © COPYRIGHT - By - ALL RIGHTS RESERVED.

LOC	DIST	REVISIONS					
ES	00	P	LTR	DESCRIPTION	DATE	DWN	APVD
		-	-	SEE SHEET 1	-	-	-

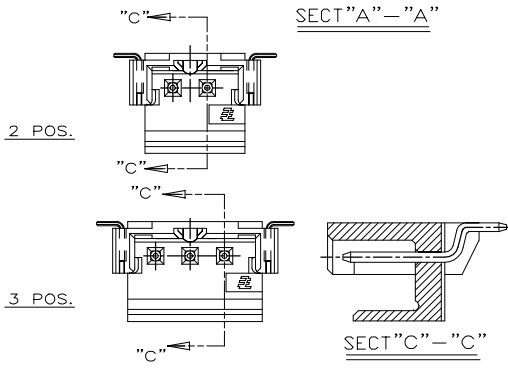


(AS SHOWN :4P)

NOTES:
 1. MATERIAL : HSG-NYLON UL94V-0)
 COLOR:BLACK,NATURAL
 POST:TIN BRASS
 TAIL: TIN BRASS
 2 OCCUPANT AREA ON PC BOARD
 3 TO BE MEASURED WITH CONNECTOR PLACED ON HORIZONTAL DATUM SURFACE,FLOAT OF SOLDER TINE AND TAIL FROM DATUM SURFACE IS 0.1mm MAX



16.0	19.8	22.0	9	3-292173-9	2-292173-9
14.0	17.8	20.0	8	3- -8	2- -8
12.0	15.8	18.0	7	3- -7	2- -7
10.0	13.8	16.0	6	3- -6	2- -6
8.0	11.8	14.0	5	3- -5	2- -5
6.0	9.8	--	4	3- -4	2- -4
4.0	7.8	--	3	3- -3	2- -3
2.0	5.8	--	2	3-292173-2	2-292173-2
A	C	D	Pos.	NATURAL	BLACK
P/N					



TOLERANCES UNLESS OTHERWISE SPECIFIED:
 10>* : ±0.2
 30>*10 : ±0.25
 100>*30 : ±0.3
 ANGEL : ±3°

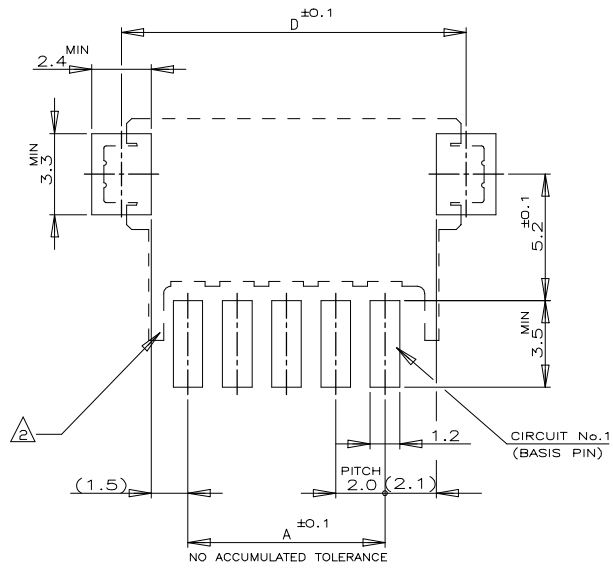
THIS DRAWING IS A CONTROLLED DOCUMENT.		DWN	-
DIMENSIONS: MM		CHK	-
TOLERANCES UNLESS OTHERWISE SPECIFIED:		APVD	-
0 PLC	±	NAME	
1 PLC	±	PRODUCT SPEC	
2 PLC	±	108-60016	
3 PLC	±	APPLICATION SPEC	
4 PLC	±	WEIGHT	
ANGLES	±	MATERIAL	
FINISH		SEE NOTE	
MATERIAL		SEE NOTE	

STE TE Connectivity			
SMT TYPE POST HDR ASS'Y (BOX-H) W/O BOSS,WITH TAIL TYPE (TE CT CONN. 2mm PITCH)			
SIZE	CAGE CODE	DRAWING NO	RESTRICTED TO
A3	00779	C-292173	-
CUSTOMER DRAWING		SCALE	SHEET
		5:1	5 of 6
		REV	C4

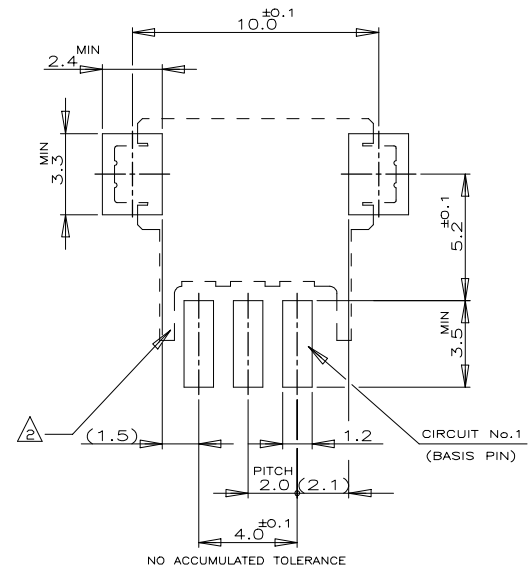
THIS DRAWING IS UNPUBLISHED. RELEASED FOR PUBLICATION
 © COPYRIGHT - By - ALL RIGHTS RESERVED.

LOC	DIST	REVISIONS					
ES	00	P	LTR	DESCRIPTION	DATE	DWN	APVD
		-	-	SEE SHEET 1	-	-	-

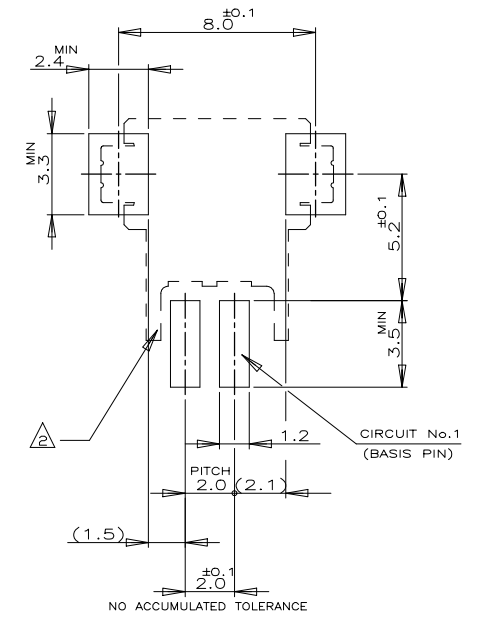
LAYOUT FOR 2-292173-X,3-2-292173-X



5 POS & ABOVE POS



3 POS



2 POS

RECOMENOD P.C.BOARD LAYOUT
 (P.C.B THK:0.8mm MIN)

THIS DRAWING IS A CONTROLLED DOCUMENT.		DWN	-	TE Connectivity	NAME SMT TYPE POST HDR ASS'Y (H) W/O,WITH TAIL TYPE (TE CT CONN. 2mm PITCH)		
DIMENSIONS:	TOLERANCES UNLESS OTHERWISE SPECIFIED:	CHK	-				
MM	0 PLC ±	APVD	-				
	1 PLC ±	PRODUCT SPEC	-				
MATERIAL	FINISH	APPLICATION SPEC	-	SIZE	CAGE CODE	DRAWING NO	RESTRICTED TO
-	-	WEIGHT	-	A3	00779	C-292173	-
CUSTOMER DRAWING		SCALE	5:1	SHEET	6 OF 6	REV	C4

Mouser Electronics

Authorized Distributor

Click to View Pricing, Inventory, Delivery & Lifecycle Information:

[TE Connectivity:](#)

[2-292173-4](#)