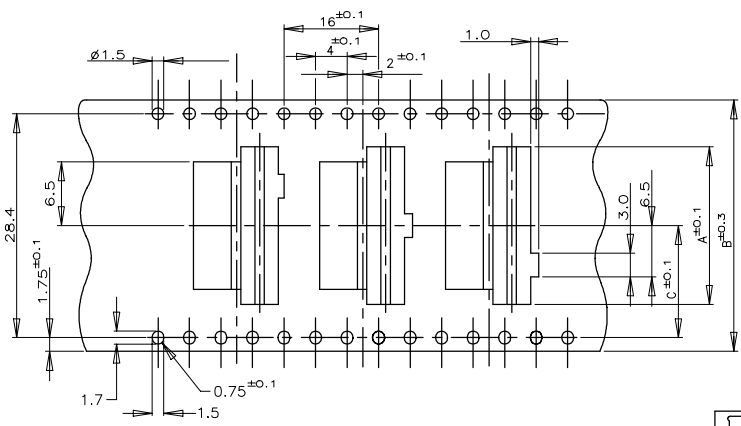
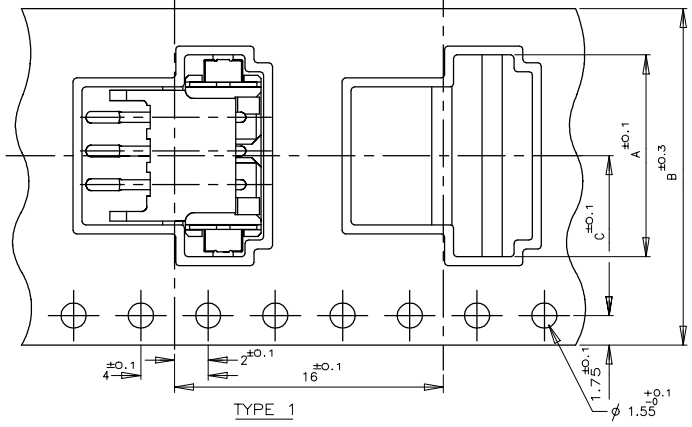


THIS DRAWING IS UNPUBLISHED. RELEASED FOR PUBLICATION
 © COPYRIGHT - By - ALL RIGHTS RESERVED.

LOC	DIST	REVISIONS					
ES	00	P	LTR	DESCRIPTION	DATE	DWN	APVD
		C4	ECR-21-101067		09APR2021	T.Q	N.S

(AS SHOWN : 3P)



TYPE 3 FOR 7P ONLY
 THREE KINDS OF DIFFERENT POCKETS AS 1 SET
 USED FOR 7P ONLY

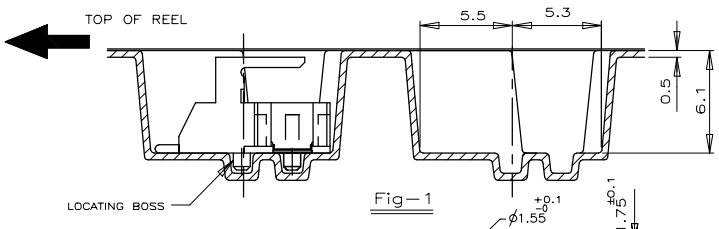
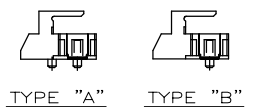
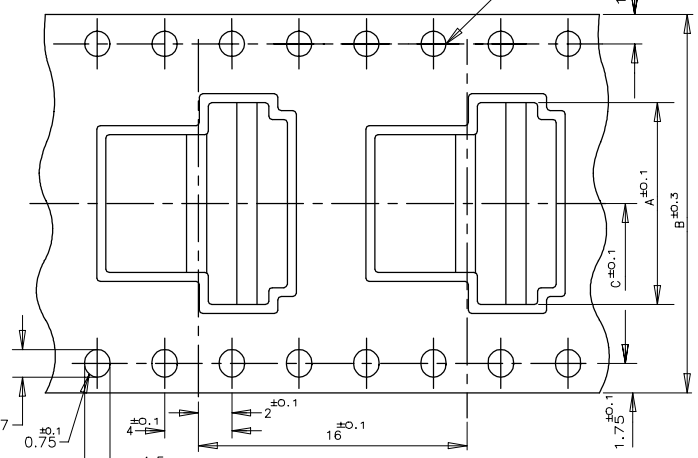


Fig-1



TYPE 2

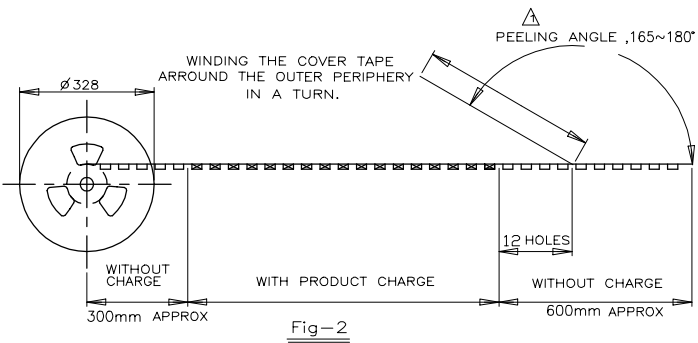


Fig-2

COLOR	PLATE	TAPE TYPE	TYPE OF BOSS	NATURAL				BLACK			
				C	B	A	QTY/REEL	Pos	TAPING	P/N	
WITH	TYPE 2	B	20.2	44	24	500	9	1-292173-9			
				22	8	1-	-8				
		TYPE 3	B	14.2	32	20		7	1-	-7	
					18	6	1-	-6			
	TYPE 1	B	11.5	24	16		5	1-	-5		
				14	4	1-	-4				
		A			12	3	1-	-3			
					10	2	1-	-2			
WITHOUT	TYPE 2	B	20.2	44	24		9	0-	-9		
				22	8	0-	-8				
		TYPE 3	B	14.2	32	20		7	0-	-7	
					18	6	0-	-6			
	TYPE 1	B	11.5	24	16		5	0-	-5		
				14	4	0-	-4				
		A			12	3	0-	-3			
					10	2	0-	-2			

TOLERANCE UNLESS OTHERWISE SPECIFIED:

10*	±0.2
30>>10	±0.25
100>>30	±0.3
ANGLE	±3'

NOTES:
 ▲ PEELING RESISTANCE : 0.196N-0.686N (20gf-70gf)
 SPEED : 300mm/min

THIS DRAWING IS A CONTROLLED DOCUMENT.

DIMENSIONS: MM	TOLERANCES UNLESS OTHERWISE SPECIFIED:	DWN JACK HOU 21SEP10
	0 PLC ±	CHK MARTIN LI 21SEP10
	1 PLC ±	APVD STEVEN YAO 21SEP10
	2 PLC ±	PRODUCT SPEC
	3 PLC ±	APPLICATION SPEC
MATERIAL	FINISH	WEIGHT

STE TE Connectivity

ON TAPING (EMBOSS)
 TE CT CONNECTOR POST HEADER ASS'Y
 (BOX-H SMT TYPE W/BOSS & TAIL)

SIZE	CAGE CODE	DRAWING NO	RESTRICTED TO
A3	00779	C-292173	-
CUSTOMER DRAWING		SCALE	SHEET 1 of 6 REV C4

4

3

2

1

THIS DRAWING IS UNPUBLISHED.

RELEASED FOR PUBLICATION

ALL RIGHTS RESERVED.

© COPYRIGHT - By -

LOC

DIST

REVISIONS

ES

00

P

LTR

DESCRIPTION

DATE

DWN

APVD

- SEE SHEET 1

(AS SHOWN : 3P)

TYPE 1

Dimensions: $16^{\pm 0.1}$, $4^{\pm 0.1}$, $2^{\pm 0.1}$, $1.75^{\pm 0.1}$, $1.55^{\pm 0.1}$, $A^{\pm 0.1}$, $C^{\pm 0.1}$, $B^{\pm 0.3}$

TYPE 3 FOR 7P ONLY

Dimensions: 28.4 , 6.5 , $1.75^{\pm 0.1}$, 1.7 , 1.5 , $0.75^{\pm 0.1}$, 1.5 , $1.6^{\pm 0.1}$, $4^{\pm 0.1}$, $2^{\pm 0.1}$, 1.0 , 3.0 , 6.5 , $A^{\pm 0.1}$, $C^{\pm 0.1}$, $B^{\pm 0.3}$

THREE KINDS OF DIFFERENT POCKETS AS 1 SET
USED FOR 7P ONLY

TYPE "A"

TOP OF REEL

Dimensions: 5.5 , 5.3 , 0.5 , 6.1

Fig-1

TYPE 2

Dimensions: 1.7 , $0.75^{\pm 0.1}$, $4^{\pm 0.1}$, $2^{\pm 0.1}$, $16^{\pm 0.1}$, $1.75^{\pm 0.1}$, $1.55^{\pm 0.1}$, $A^{\pm 0.1}$, $C^{\pm 0.1}$, $B^{\pm 0.3}$

WINDING THE COVER TAPE
AROUND THE OUTER PERIPHERY
IN A TURN.

PEELING ANGLE ,165~180°

WITHOUT CHARGE 300mm APPROX WITH PRODUCT CHARGE 600mm APPROX WITHOUT CHARGE

12 HOLES

Fig-2

COLOR	PLATE	TAPE TYPE	TYPE OF BOSS	C	B	A	QTY/REEL	Pos	TAPING	P/N	
NATURAL	WITH	TYPE 2	A	20.2	44	24	500	9	3-	292173-9	
			A	20.2	44	22		8	3-	-8	
			TYPE 3	A	14.2	32	20		7	3-	-7
			TYPE 2	A	14.2	32	18		6	3-	-6
			TYPE 1	A	11.5	24	16		5	3-	-5
				A			14		4	3-	-4
BLACK	WITH	TYPE 1	A			12		3	3-	-3	
			A	11.5	24	10		2	3-	-2	
		TYPE 2	A	20.2	44	24		9	2-	-9	
			A	20.2	44	22		8	2-	-8	
		TYPE 3	A	14.2	32	20		7	2-	-7	
			A	14.2	32	18		6	2-	-6	
WITH	TYPE 1	A	11.5	24	16		5	2-	-5		
		A			14		4	2-	-4		
		A			12		3	2-	-3		
WITH	TYPE 1	A	11.5	24	10	500	2	2-	2-292173-2		

TOLERANCE UNLESS OTHERWISE SPECIFIED:

10>* :±0.2
30>* >10 :±0.25
100>* >30 :±0.3
ANGLE :±3°

NOTES:

△ PEELING RESISTANCE : 0.196N-0.686N (20gf-70gf)
SPEED : 300mm/min

THIS DRAWING IS A CONTROLLED DOCUMENT.

DIMENSIONS:
MM

TOLERANCES UNLESS OTHERWISE SPECIFIED:

0 PLC ±
1 PLC ±
2 PLC ±
3 PLC ±
4 PLC ±
ANGLES ±

MATERIAL

FINISH

DWN

CHK

APVD

PRODUCT SPEC

APPLICATION SPEC

WEIGHT

CUSTOMER DRAWING

NAME

SIZE

CAGE CODE

DRAWING NO

RESTRICTED TO

ON TAPING (EMBOSS)

TE CT CONNECTOR POST HEADER ASS'Y
(BOX-H SMT TYPE W/O BOSS & W/ TAIL)

A300779

C-292173

SCALE

SHEET

2 OF 6

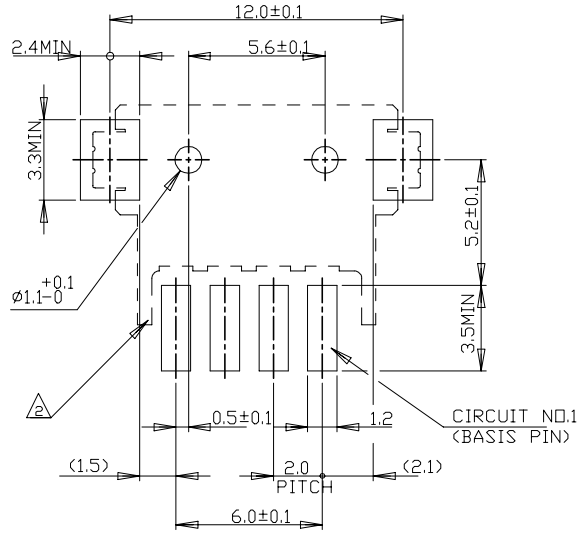
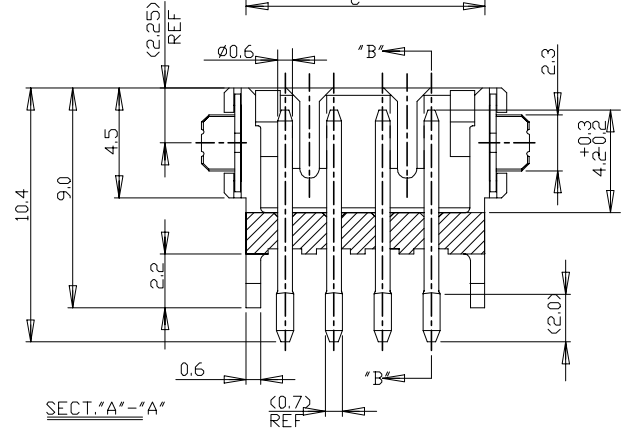
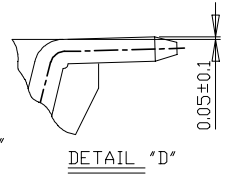
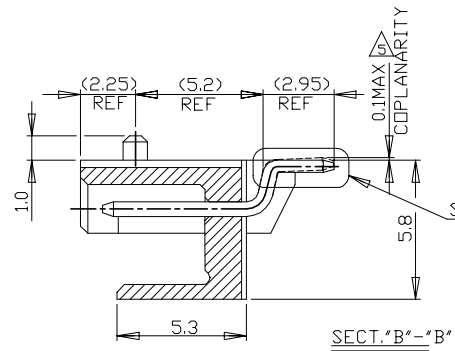
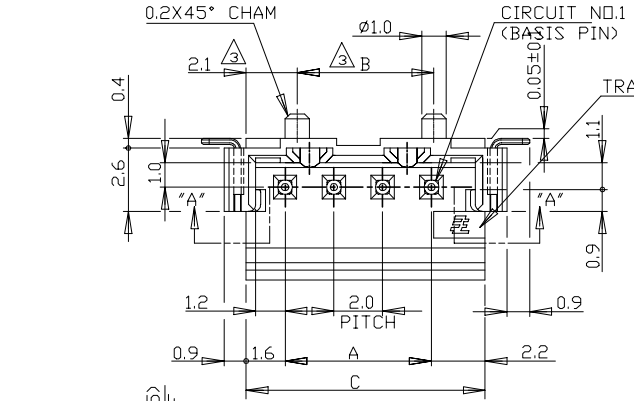
REV

C4

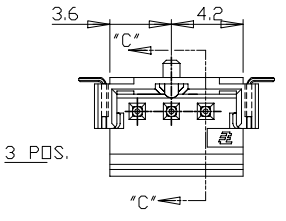
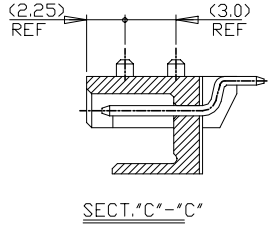
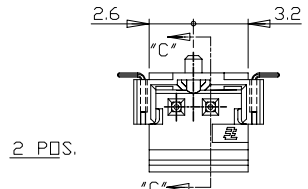
1470-19 (3/11)

THIS DRAWING IS UNPUBLISHED. RELEASED FOR PUBLICATION
 © COPYRIGHT - By - ALL RIGHTS RESERVED.

LOC	DIST	REVISIONS					
ES	00	P	LTR	DESCRIPTION	DATE	DWN	APVD
		-		SEE SHEET 1	-	-	-



NOTES:
 1. MATERIAL: HSG-NYLON (UL94V-0)
 COLOR: BLACK, NATURAL
 POST: TIN BRASS
 TAIL: TIN BRASS
 OCCUPANT AREA ON PC BOARD
 4P&ABOVE POS.
 2P&3P
 TO BE MEASURED WITH CONNECTOR PLACED
 ON HORIZONTAL DATUM SURFACE, FLDAT OF
 SOLDER TINE AND TAIL FROM DATUM
 SURFACE IS 0.1mm MAX



NO ACCUMULATED TOLERANCE
 RECOMMENDED P.C. BOARD LAYOUT
 (P.C.B. THK: 0.8mm MIN)

16.0	15.6	19.8	22.0	9	1-292173-9	292173-9
14.0	13.6	17.8	20.0	8	1-8	8
12.0	11.6	15.8	18.0	7	1-7	7
10.0	9.6	13.8	16.0	6	1-6	6
8.0	7.6	11.8	14.0	5	1-5	5
6.0	5.6	9.8		4	1-4	4
4.0		7.8		3	1-3	3
2.0		5.8		2	1-292173-2	292173-2
A	B	C	D	Pos.	NATURAL	BLACK
P/N						

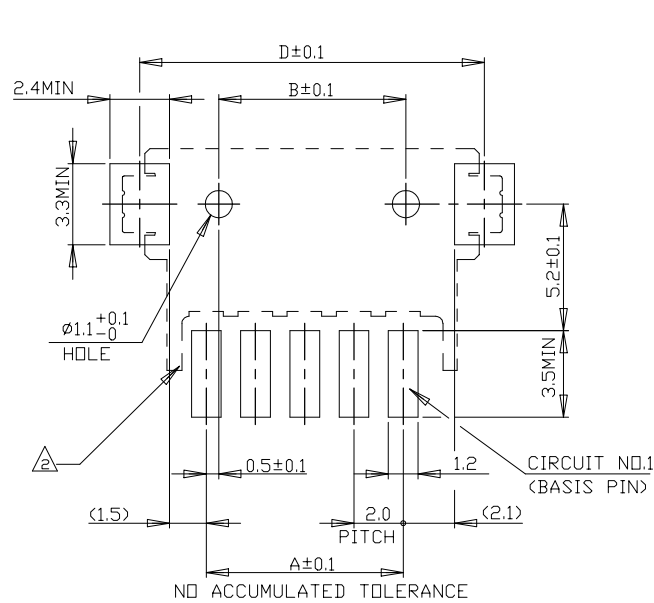
TOLERANCES UNLESS OTHERWISE SPECIFIED:
 10>* : ±0.2
 30>* >10 : ±0.25
 100>* >30 : ±0.3
 ANGEL : ±3°

THIS DRAWING IS A CONTROLLED DOCUMENT.		DWN	TE Connectivity			
DIMENSIONS: MM		CHK	NAME			
TOLERANCES UNLESS OTHERWISE SPECIFIED:		APVD	SMT TYPE POST HDR ASS'Y (H) WITH BOSS & TAIL TYPE (TE CT CONN. 2mm PITCH)			
0 PLC ±		PRODUCT SPEC		DRAWING NO		RESTRICTED TO
1 PLC ±		108-60016		C-292173		
2 PLC ±		APPLICATION SPEC		SIZE	CAGE CODE	
3 PLC ±		WEIGHT		A3	00779	
4 PLC ±		CUSTOMER DRAWING		SCALE		
ANGLES ±				5:1		
FINISH				SHEET		
SEE NOTE				3 OF 6		
				REV		
				C4		

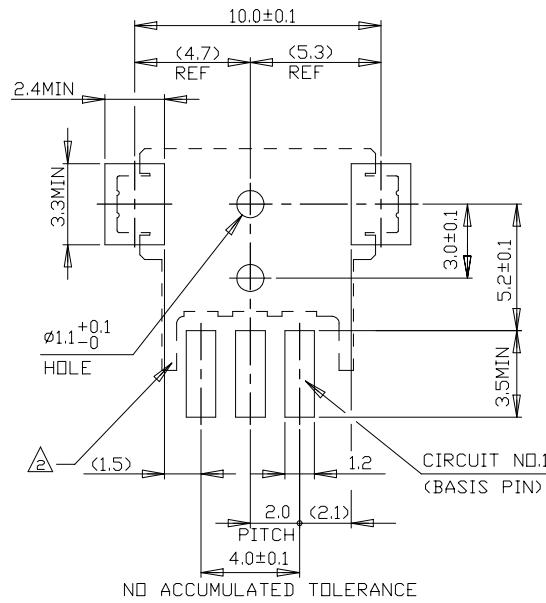
THIS DRAWING IS UNPUBLISHED. RELEASED FOR PUBLICATION
 © COPYRIGHT - By - ALL RIGHTS RESERVED.

LOC	DIST	REVISIONS					
ES	00	P	LTR	DESCRIPTION	DATE	DWN	APVD
		-	-	SEE SHEET 1	-	-	-

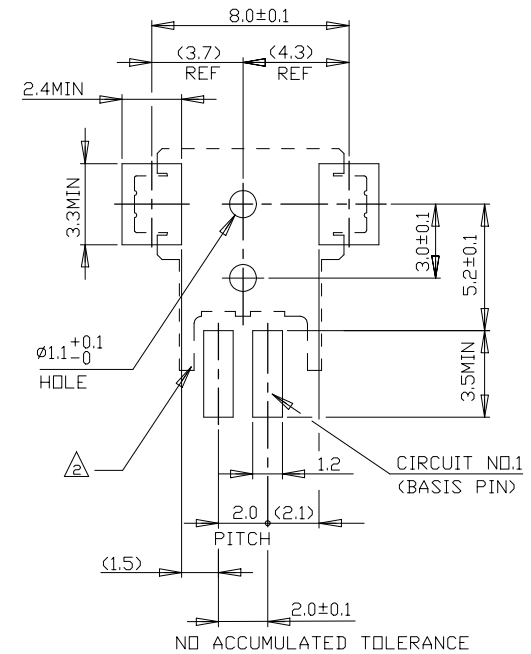
LAYOUT FOR 292173-X,1-292173-X



5 PDS. & ABOVE PDS.



3 PDS.



2 PDS.

RECOMMENDED P.C. BOARD LAYOUT
 (P.C.B THK:0.8mm MIN)

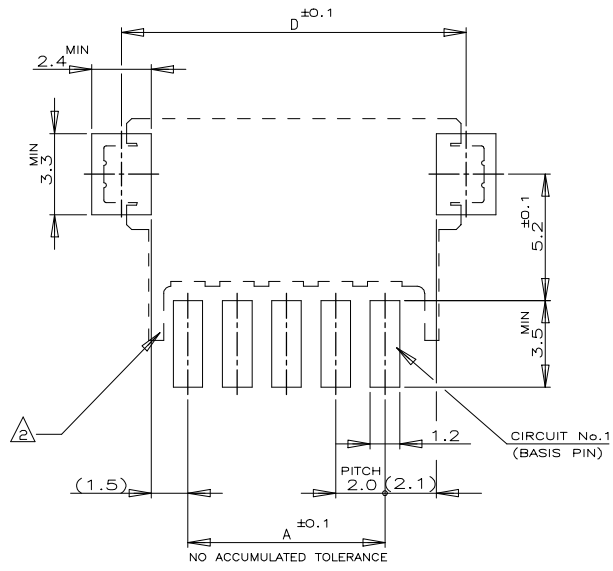
THIS DRAWING IS A CONTROLLED DOCUMENT.		DWN			
DIMENSIONS: MM		CHK			
TOLERANCES UNLESS OTHERWISE SPECIFIED:		APVD	NAME		
0 PLC ±		PRODUCT SPEC	SMT TYPE POST HDR ASS'Y (H)		
1 PLC ±		APPLICATION SPEC	WITH BOSS & TAIL TYPE		
2 PLC ±		WEIGHT	SIZE	CAGE CODE	DRAWING NO
3 PLC ±			A3	00779	C-292173
4 PLC ±		CUSTOMER DRAWING	RESTRICTED TO		
ANGLES ±		SCALE	SHEET		REV
FINISH		5:1	4 OF 6		C4



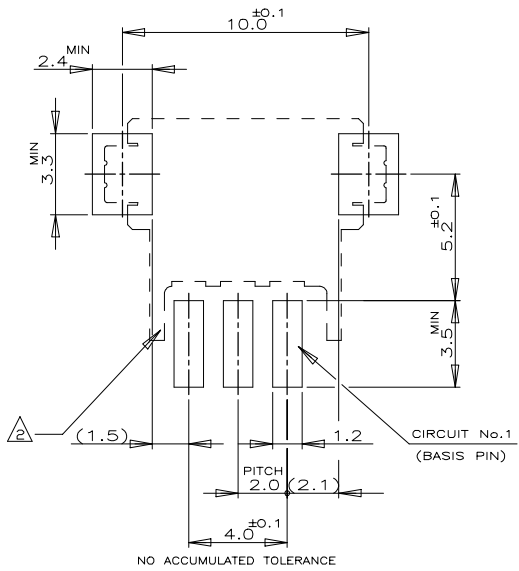
THIS DRAWING IS UNPUBLISHED. RELEASED FOR PUBLICATION
 © COPYRIGHT - By - ALL RIGHTS RESERVED.

LOC	DIST	REVISIONS					
ES	00	P	LTR	DESCRIPTION	DATE	DWN	APVD
		-		SEE SHEET 1	-	-	-

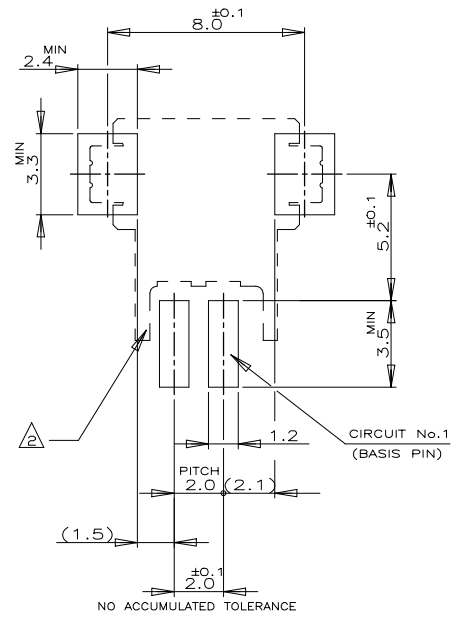
LAYOUT FOR 2-292173-X,3-2-292173-X



5 POS & ABOVE POS



3 POS



2 POS

RECOMENOD P.C.BOARD LAYOUT
 (P.C.B THK:0.8mm MIN)

THIS DRAWING IS A CONTROLLED DOCUMENT.		DWN			
DIMENSIONS: MM		CHK			
TOLERANCES UNLESS OTHERWISE SPECIFIED:		APVD	NAME		
0 PLC ±		PRODUCT SPEC	SMT TYPE POST HDR ASS'Y (H)		
1 PLC ±		APPLICATION SPEC	W/O,WITH TAIL TYPE		
2 PLC ±		WEIGHT	SIZE	CAGE CODE	DRAWING NO
3 PLC ±			A3	00779	C-292173
4 PLC ±		CUSTOMER DRAWING	RESTRICTED TO		
ANGLES ±		SCALE	SHEET		REV
FINISH		5:1	6 OF 6		C4



Mouser Electronics

Authorized Distributor

Click to View Pricing, Inventory, Delivery & Lifecycle Information:

[TE Connectivity:](#)

[292173-3](#)