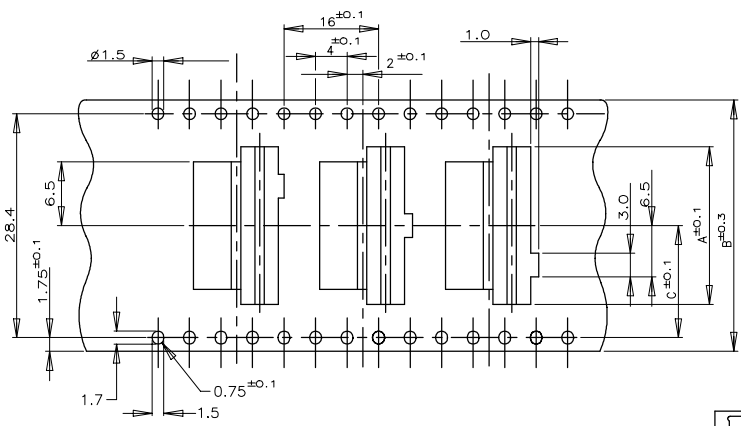
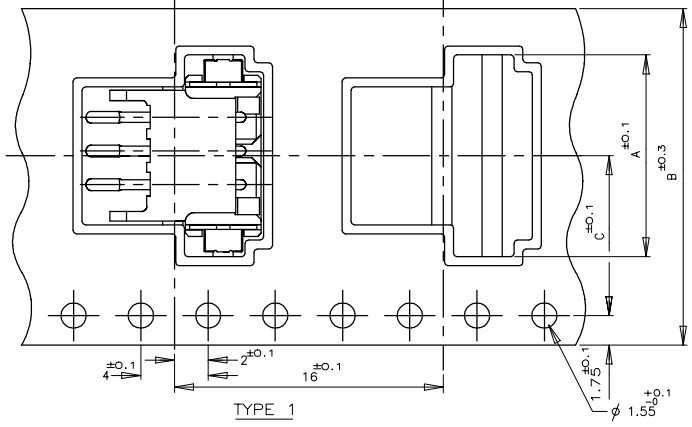


THIS DRAWING IS UNPUBLISHED. RELEASED FOR PUBLICATION
 © COPYRIGHT - By - ALL RIGHTS RESERVED.

LOC	DIST	REVISIONS					
ES	00	P	LTR	DESCRIPTION	DATE	DWN	APVD
		C4	ECR-21-101067		09APR2021	T.Q	N.S

(AS SHOWN : 3P)



TYPE 3 FOR 7P ONLY
 THREE KINDS OF DIFFERENT POCKETS AS 1 SET
 USED FOR 7P ONLY

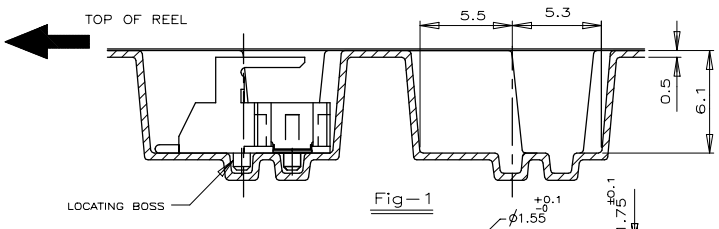
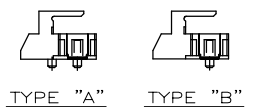
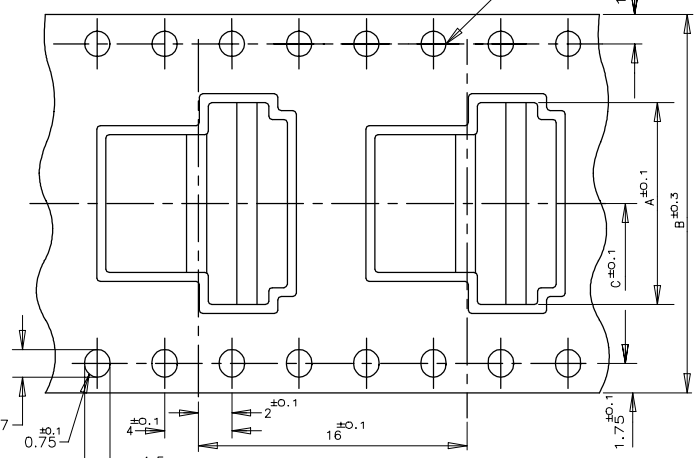


Fig-1



TYPE 2

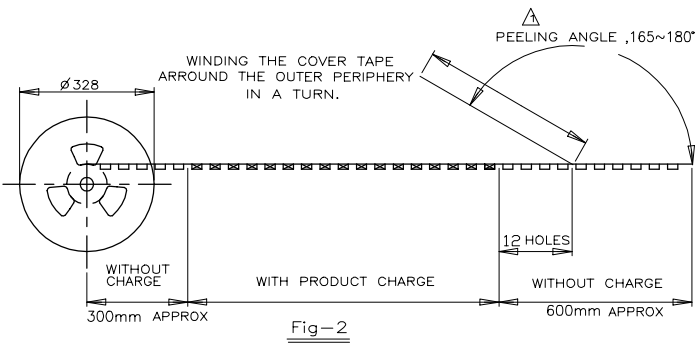


Fig-2

NATURAL	WITH	TYPE 2	B	20.2	44	24	500	9	1-292173-9
			B	20.2	44	22		8	1- -8
		TYPE 3	B	14.2	32	20		7	1- -7
		TYPE 2	B	14.2	32	18		6	1- -6
BLACK			B	11.5	24	16		5	1- -5
		TYPE 1	B					4	1- -4
			A			12		3	1- -3
			A	11.5	24	10		2	1- -2
			B	20.2	44	24		9	0- -9
			B	20.2	44	22		8	0- -8
		TYPE 3	B	14.2	32	20		7	0- -7
		TYPE 2	B	14.2	32	18		6	0- -6
		B	11.5	24	16		5	0- -5	
		B			14		4	0- -4	
	TYPE 1	A			12		3	0- -3	
WITH		A	11.5	24	10	500	2	0-292173-2	
COLOR	PLATE	TAPE TYPE	TYPE OF BOSS	C	B	A	QTY/ REEL	Pos	TAPING P/N

TOLERANCE UNLESS OTHERWISE SPECIFIED:

10*	±0.2
30>>10	±0.25
100>>30	±0.3
ANGLE	±3'

NOTES:
 ▲ PEELING RESISTANCE : 0.196N-0.686N (20gf-70gf)
 SPEED : 300mm/min

THIS DRAWING IS A CONTROLLED DOCUMENT.

DIMENSIONS: MM	TOLERANCES UNLESS OTHERWISE SPECIFIED:	DWN JACK HOU 21SEP10
	0 PLC ±	CHK MARTIN LI 21SEP10
	1 PLC ±	APVD STEVEN YAO 21SEP10
	2 PLC ±	PRODUCT SPEC
	3 PLC ±	APPLICATION SPEC
	4 PLC ±	WEIGHT
MATERIAL	FINISH	CUSTOMER DRAWING

STE TE Connectivity

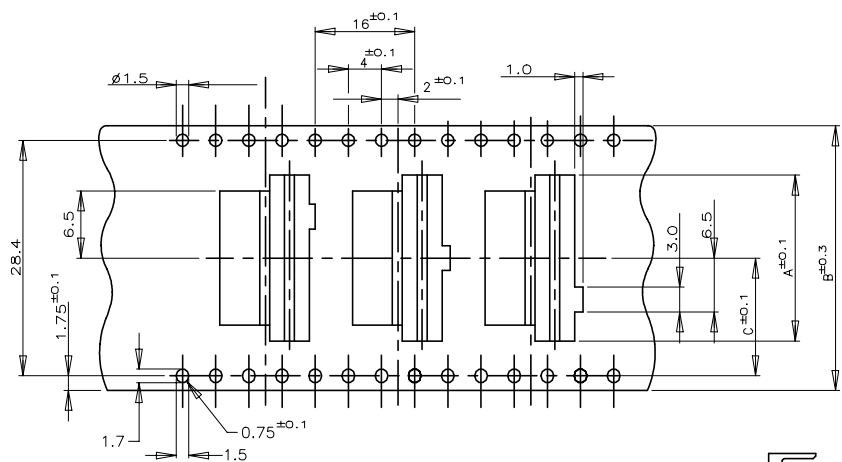
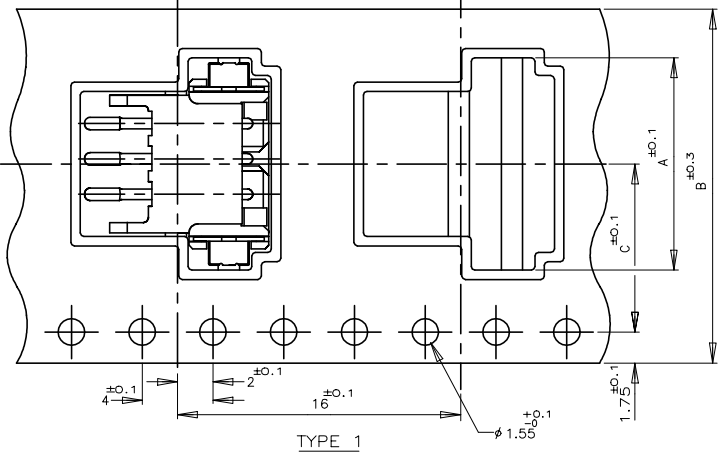
ON TAPING (EMBOSS)
 TE CT CONNECTOR POST HEADER ASS'Y
 (BOX-H SMT TYPE W/BOSS & TAIL)

SIZE	CAGE CODE	DRAWING NO	RESTRICTED TO
A3	00779	C-292173	-
SCALE		SHEET	REV
++		1 of 6	C4

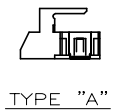
THIS DRAWING IS UNPUBLISHED. RELEASED FOR PUBLICATION
 © COPYRIGHT - By - ALL RIGHTS RESERVED.

LOC	DIST	REVISIONS		
ES	00	P	LTR	DESCRIPTION
		-	-	SEE SHEET 1
				DATE
				DWN
				APVD

(AS SHOWN : 3P)



TYPE 3 FOR 7P ONLY
 THREE KINDS OF DIFFERENT POCKETS AS 1 SET
 USED FOR 7P ONLY



TYPE "A"

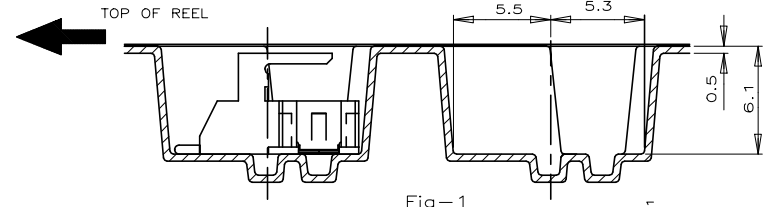
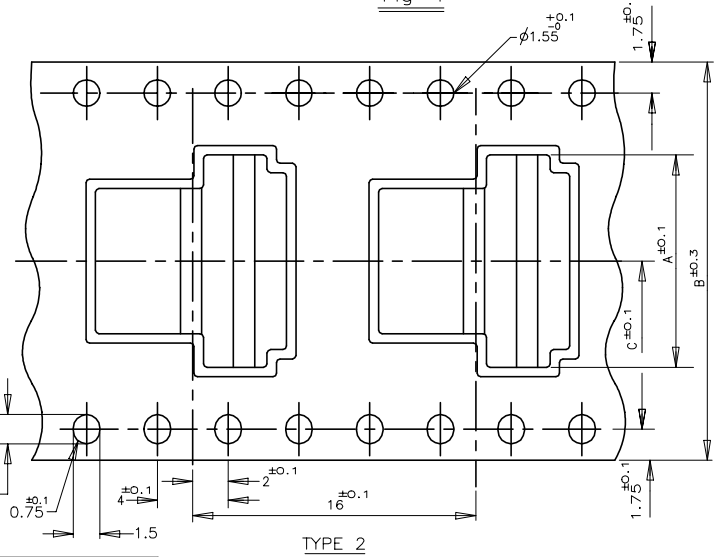


Fig-1



TYPE 2

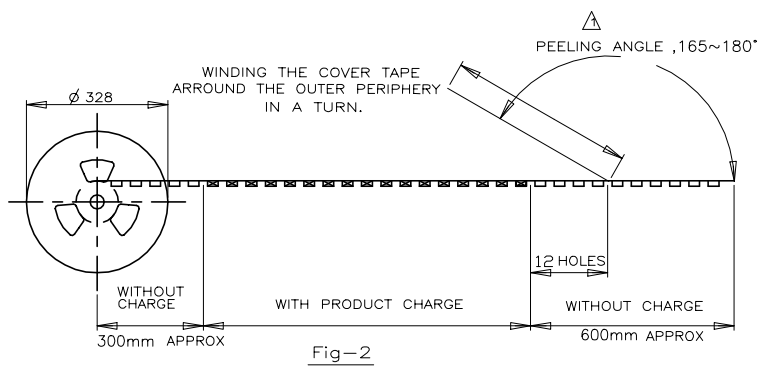


Fig-2

COLOR	PLATE	TAPE TYPE	TYPE OF BOSS	C	B	A	QTY/REEL	Pos	TAPING	P/N	
NATURAL	WITH	TYPE 2	A	20.2	44	24	500	9	3-	292173-9	
			A	20.2	44	22		8	3-	-8	
			TYPE 3	A	14.2	32	20		7	3-	-7
			TYPE 2	A	14.2	32	18		6	3-	-6
			TYPE 1	A	11.5	24	16		5	3-	-5
				A			14		4	3-	-4
BLACK	WITH	TYPE 1	A			12		3	3-	-3	
			A	11.5	24	10		2	3-	-2	
		TYPE 2	A	20.2	44	24		9	2-	-9	
			A	20.2	44	22		8	2-	-8	
		TYPE 3	A	14.2	32	20		7	2-	-7	
			A	14.2	32	18		6	2-	-6	
WITH	TYPE 1	A	11.5	24	16		5	2-	-5		
		A			14		4	2-	-4		
		A			12		3	2-	-3		
WITH		TYPE 1	A	11.5	24	10	500	2	2-292173-2		

TOLERANCE UNLESS OTHERWISE SPECIFIED:

10>*	:±0.2
30>*>10	:±0.25
100>*>30	:±0.3
ANGLE	:±3'

NOTES:
 ▲ PEELING RESISTANCE : 0.196N-0.686N (20gf-70gf)
 SPEED : 300mm/min

THIS DRAWING IS A CONTROLLED DOCUMENT.

DIMENSIONS: MM	TOLERANCES UNLESS OTHERWISE SPECIFIED:	DWN	CHK
	0 PLC ±	APVD	PRODUCT SPEC
	1 PLC ±	APPLICATION SPEC	WEIGHT
	2 PLC ±	CUSTOMER DRAWING	SCALE
	3 PLC ±		SHEET
4 PLC ±			
ANGLES ±			
MATERIAL	FINISH		

STE TE Connectivity

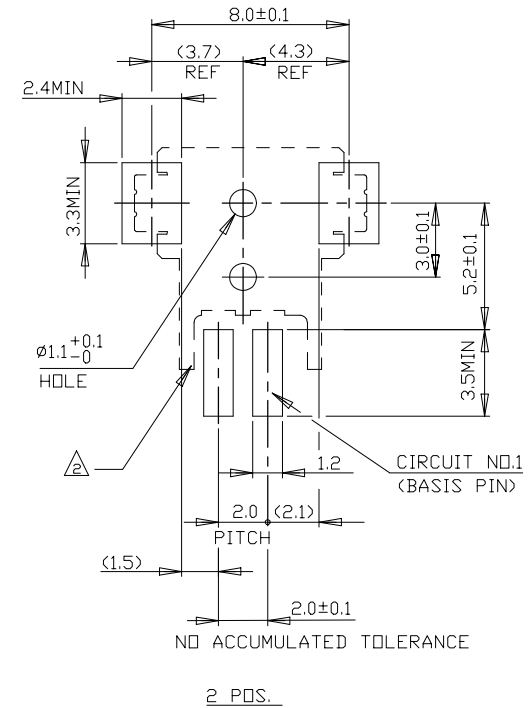
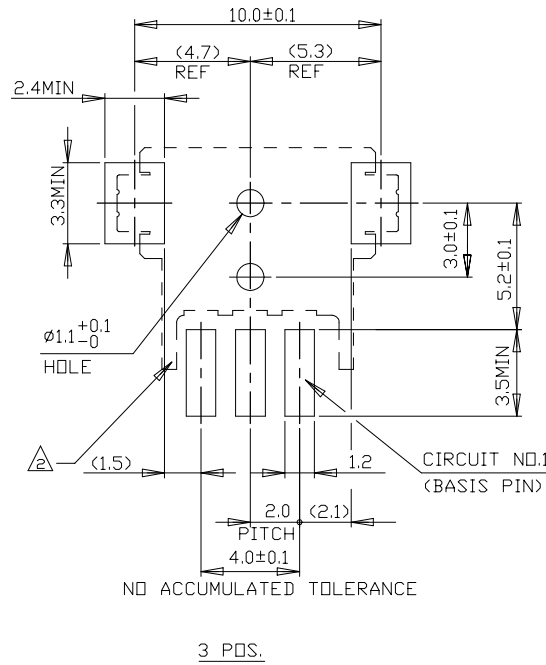
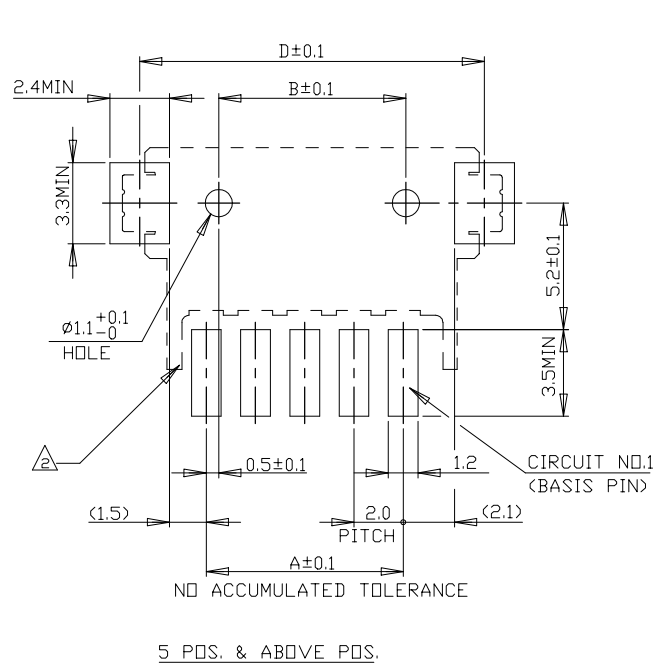
ON TAPING (EMBOSS)
 TE CT CONNECTOR POST HEADER ASS'Y
 (BOX-H SMT TYPE W/O BOSS & W/ TAIL)

SIZE	CAGE CODE	DRAWING NO	RESTRICTED TO
A300779	C-292173		-
CUSTOMER DRAWING		SCALE	SHEET
		REV	

THIS DRAWING IS UNPUBLISHED. RELEASED FOR PUBLICATION
 © COPYRIGHT - By - ALL RIGHTS RESERVED.

LOC	DIST	REVISIONS					
ES	00	P	LTR	DESCRIPTION	DATE	DWN	APVD
		-	-	SEE SHEET 1	-	-	-

LAYOUT FOR 292173-X,1-292173-X

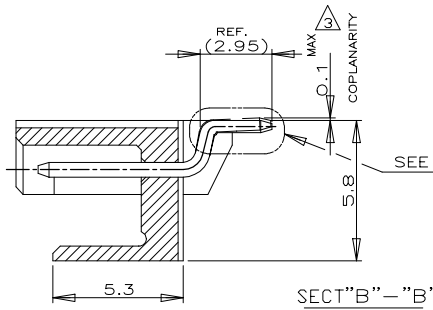
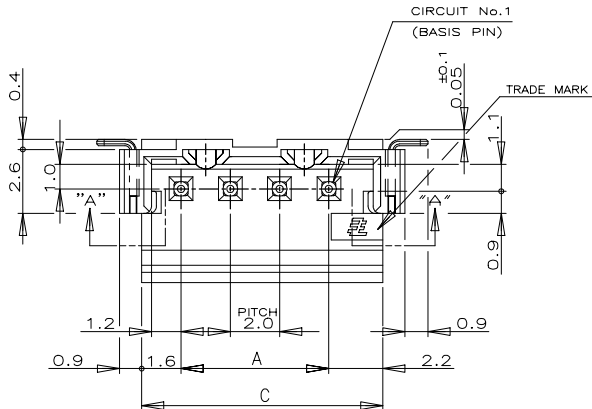


RECOMMENDED P.C. BOARD LAYOUT
 (P.C.B THK:0.8mm MIN)

THIS DRAWING IS A CONTROLLED DOCUMENT.		DWN	-	TE Connectivity
DIMENSIONS: MM		CHK	-	
		APVD	-	NAME
TOLERANCES UNLESS OTHERWISE SPECIFIED:		PRODUCT SPEC	-	SMT TYPE POST HDR ASS'Y (H)
0 PLC	±	APPLICATION SPEC	-	WITH BOSS & TAIL TYPE
1 PLC	±		-	(TE CT CONN. 2mm PITCH)
2 PLC	±	SIZE	A3	DRAWING NO
3 PLC	±	CAGE CODE	00779	C=292173
4 PLC	±	WEIGHT	-	RESTRICTED TO
ANGLES	±	CUSTOMER DRAWING		SCALE 5:1 SHEET 4 OF 6 REV C4
MATERIAL	FINISH			

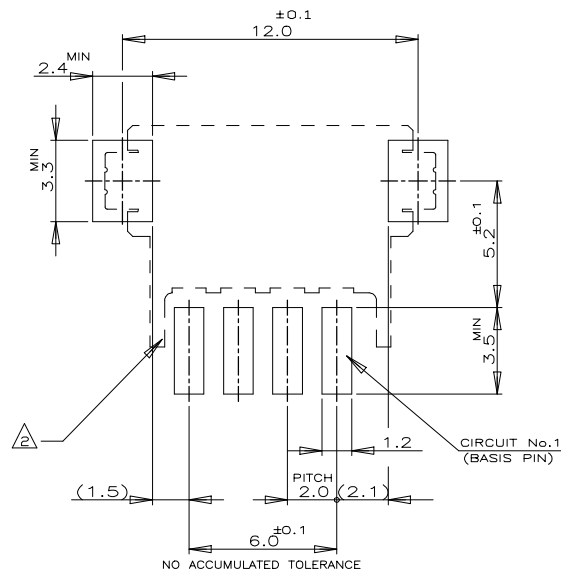
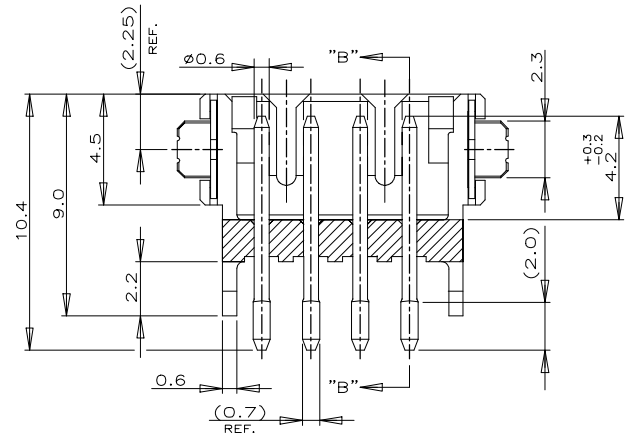
THIS DRAWING IS UNPUBLISHED. RELEASED FOR PUBLICATION
 © COPYRIGHT - By - ALL RIGHTS RESERVED.

LOC		DIST		REVISIONS					
ES		00		P	LTR	DESCRIPTION	DATE	DWN	APVD
				-	-	SEE SHEET 1	-	-	-

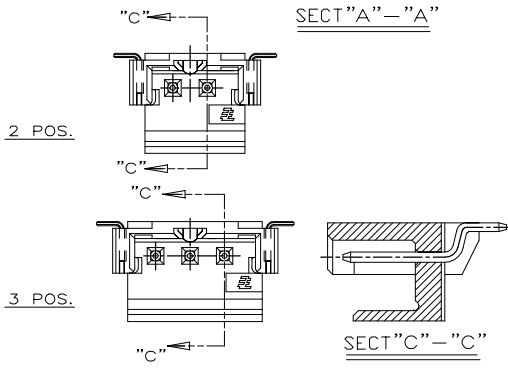


(AS SHOWN :4P)

- NOTES:
- MATERIAL : HSG-NYLON UL94V-0
 COLOR:BLACK,NATURAL
 POST:TIN BRASS
 TAIL: TIN BRASS
 - OCCUPANT AREA ON PC BOARD TO BE MEASURED WITH CONNECTOR PLACED ON HORIZONTAL DATUM SURFACE, FLOAT OF SOLDER TINE AND TAIL FROM DATUM SURFACE IS 0.1mm MAX



16.0	19.8	22.0	9	3-292173-9	2-292173-9
14.0	17.8	20.0	8	3- -8	2- -8
12.0	15.8	18.0	7	3- -7	2- -7
10.0	13.8	16.0	6	3- -6	2- -6
8.0	11.8	14.0	5	3- -5	2- -5
6.0	9.8	-	4	3- -4	2- -4
4.0	7.8	-	3	3- -3	2- -3
2.0	5.8	-	2	3-292173-2	2-292173-2
A	C	D	Pos.	NATURAL	BLACK
P/N					



TOLERANCES UNLESS OTHERWISE SPECIFIED:
 10>* : ±0.2
 30>*10 : ±0.25
 100>*30 : ±0.3
 ANGEL : ±3°

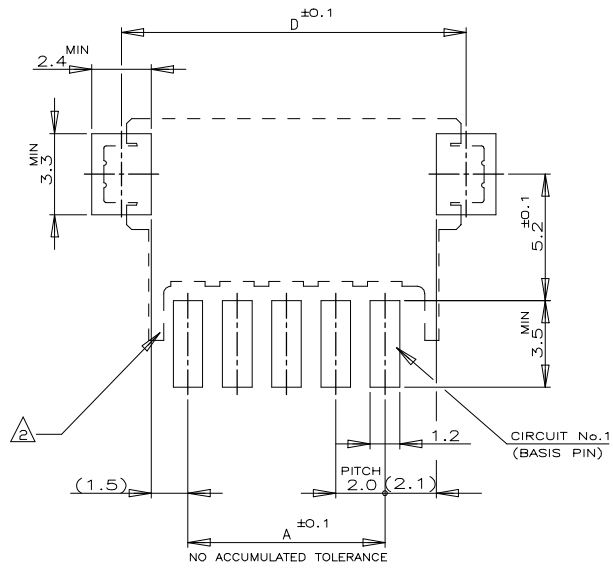
THIS DRAWING IS A CONTROLLED DOCUMENT.

DIMENSIONS: MM	TOLERANCES UNLESS OTHERWISE SPECIFIED:	DWN	TE Connectivity
0 PLC ±	1 PLC ±	CHK	SMT TYPE POST HDR ASS'Y (BOX-H)
2 PLC ±	2 PLC ±	APVD	W/O BOSS, WITH TAIL TYPE
3 PLC ±	3 PLC ±	PRODUCT SPEC	(TE CT CONN. 2mm PITCH)
4 PLC ±	4 PLC ±	APPLICATION SPEC	108-60016
ANGLES ±	FINISH ±	WEIGHT	SIZE A3 CAGE CODE 00779 DRAWING NO C-292173
MATERIAL SEE NOTE	FINISH SEE NOTE	CUSTOMER DRAWING	RESTRICTED TO
		SCALE 5:1	SHEET 5 of 6 REV C4

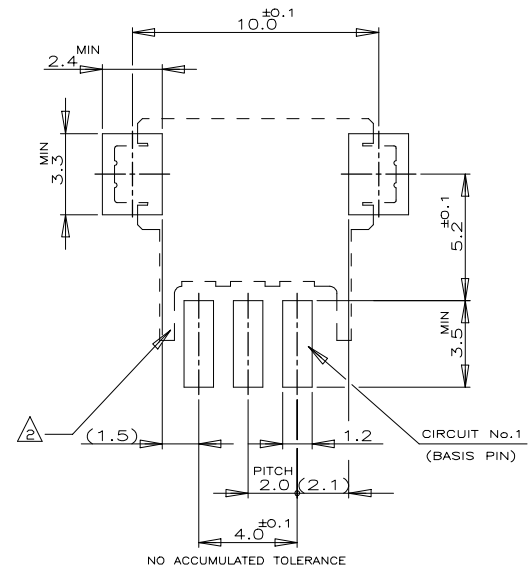
THIS DRAWING IS UNPUBLISHED. RELEASED FOR PUBLICATION
 © COPYRIGHT - By - ALL RIGHTS RESERVED.

LOC	DIST	REVISIONS					
ES	00	P	LTR	DESCRIPTION	DATE	DWN	APVD
		-	-	SEE SHEET 1	-	-	-

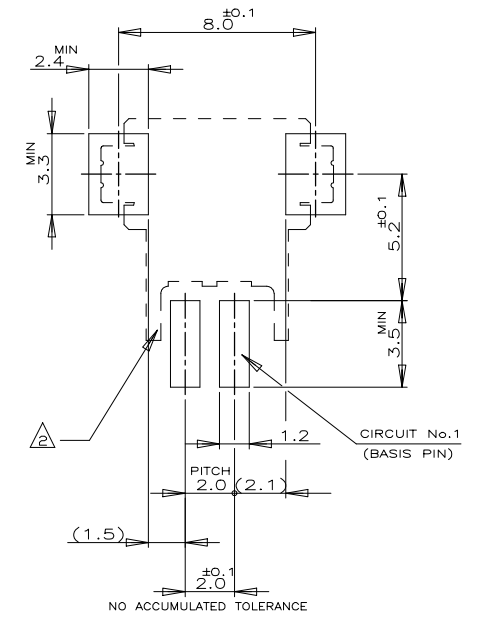
LAYOUT FOR 2-292173-X,3-2-292173-X



5 POS & ABOVE POS



3 POS



2 POS

RECOMENOD P.C.BOARD LAYOUT
 (P.C.B THK:0.8mm MIN)

THIS DRAWING IS A CONTROLLED DOCUMENT.		DWN	-	 TE Connectivity	NAME SMT TYPE POST HDR ASS'Y (H) W/O,WITH TAIL TYPE (TE CT CONN. 2mm PITCH)
DIMENSIONS:	TOLERANCES UNLESS OTHERWISE SPECIFIED:	CHK	-		
MM	0 PLC ±	APVD	-		
	1 PLC ±	PRODUCT SPEC	-		
MATERIAL	FINISH	APPLICATION SPEC	-	SIZE	A3
		WEIGHT	-	CAGE CODE	00779
		CUSTOMER DRAWING		DRAWING NO	C-292173
		SCALE	5:1	RESTRICTED TO	
		SHEET	6 OF 6	REV	C4

Mouser Electronics

Authorized Distributor

Click to View Pricing, Inventory, Delivery & Lifecycle Information:

[TE Connectivity:](#)

[1-292173-3](#)