

THIS DRAWING IS UNPUBLISHED.

RELEASED FOR PUBLICATION

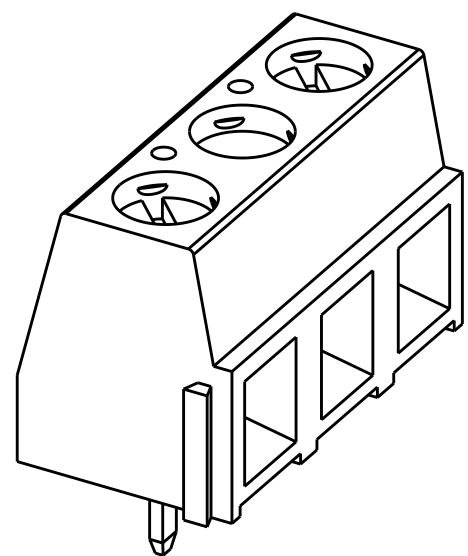
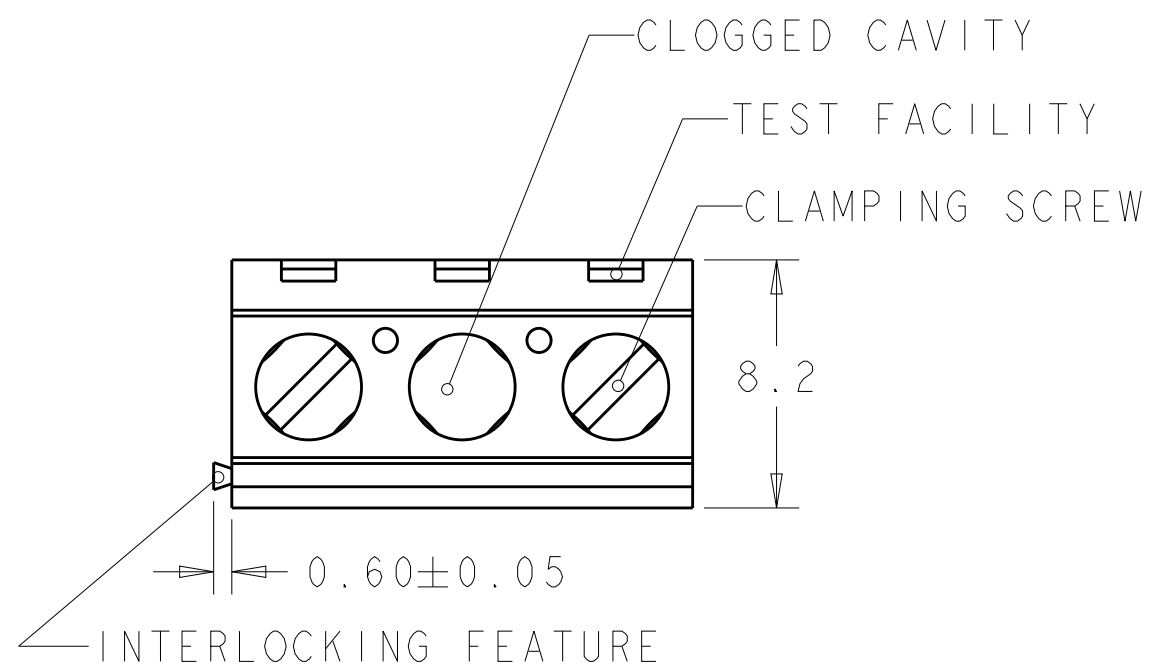
20

© COPYRIGHT 20 BY -

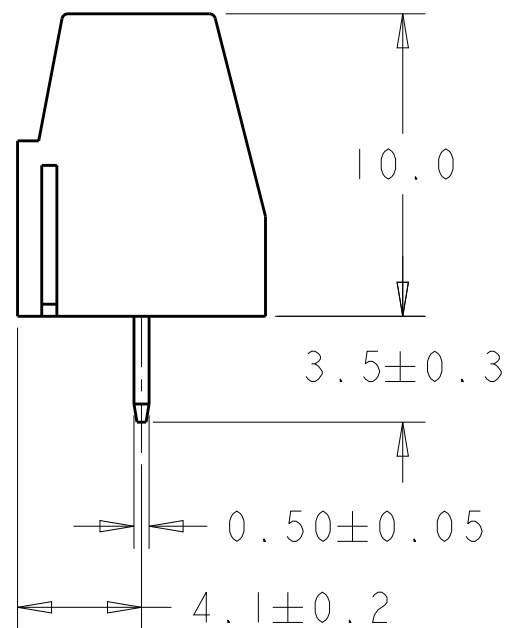
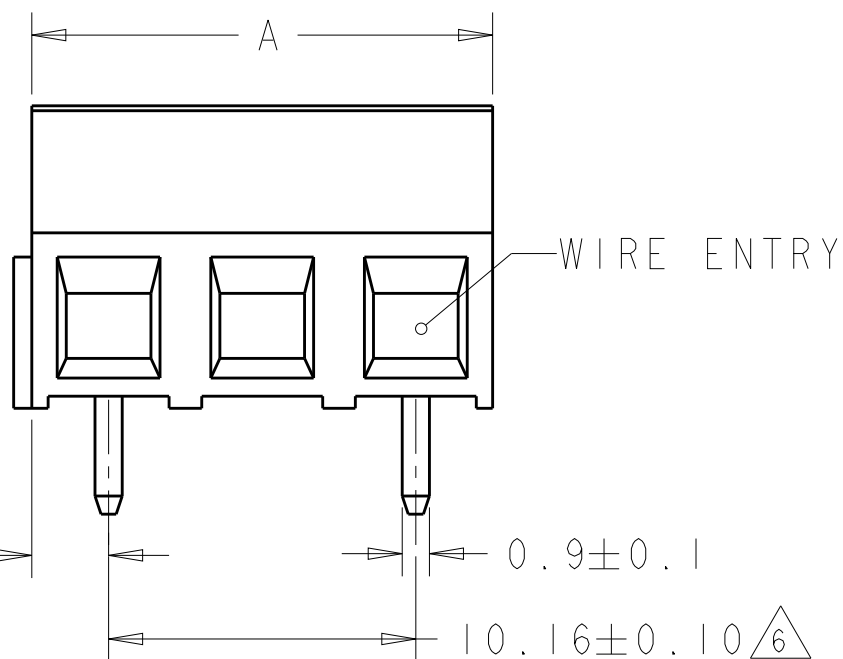
ALL RIGHTS RESERVED.

REVISIONS

P	LTR	DESCRIPTION	DATE	DWN	APVD
	E	PACKAGING CHANGED FROM BLACK POLYURETHANE SPONGE TO TRAY	27MAR2018	RK	PS

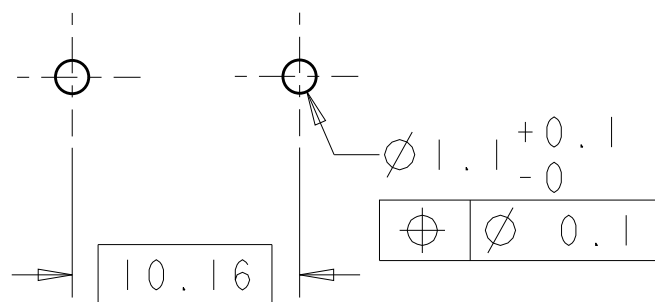


282836-2 AS SHOWN



DIM. A	NO OF POS.	PART NUMBER
		1-282839-3
		1-282839-2
		1-282839-1
		1-282839-0
		282839-9
		282839-8
		282839-7
		282839-6
		282839-5
		282839-4
		282839-3
		282839-2

RECOMMENDED PC BOARD LAYOUT



THIS DRAWING IS A CONTROLLED DOCUMENT.		DWN 04SEP2001 E. ZANOLINI	TE Connectivity	
DIMENSIONS: mm		CHK 04SEP2001 D. BIEVENOUR		
TOLERANCES UNLESS OTHERWISE SPECIFIED:		APVD 04SEP2001 D. BIEVENOUR	NAME TERMINAL BLOCK PCB MOUNT SIDE ENTRY WIRE 10.16mm PITCH	
0 PLC ±-		PRODUCT SPEC 108-20166	SIZE CAGE CODE DRAWING NO RESTRICTED TO	
1 PLC ±.3		APPLICATION SPEC 114-20079	A300779 C-282839	
2 PLC ±.25		WEIGHT -	SCALE 4:1 SHEET 1 OF 2 REV E	
3 PLC ±-		MATERIAL SEE NOTES	CUSTOMER DRAWING	
4 PLC ±-			FINISH SEE NOTES	
ANGLES ±2				

4

3

2

1

THIS DRAWING IS UNPUBLISHED.

RELEASED FOR PUBLICATION

20

© COPYRIGHT 20


BY -

ALL RIGHTS RESERVED.

REVISIONS

P	LTR	DESCRIPTION	DATE	DWN	APVD
	-	SEE SHEET 1	-	-	-

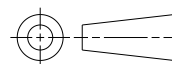
NOTES:

- MATERIALS AND FINISH
HOUSING: PA 6-6, UL 94-V0, COLOR GREEN.
CLAMP: BRASS, NICKEL PLATED.
TERMINAL: BRASS, TIN PLATED.
CLAMPING SCREW: M3, BRASS, NICKEL PLATED.
- MECHANICAL
WIRE STRIPPING LENGTH : 5.0-6.0 mm
MIN. PC BOARD HOLES DIAMETER : 1.1 mm
MAX. PC BOARD THICKNESS : 2.4 mm
RECOMMENDED TIGHTENING TORQUE FOR SCREW : 0.5 Nm.
- ELECTRICAL
WIRE RANGE : 16-30 AWG
MAX. VOLTAGE : 600 V
MAX CURRENT : 13.5 A
CONTACT RESISTANCE : <15 m Ohm
INSULATION RESISTANCE : >1000 M Ohm (500V DC)
- RECOGNIZED UNDER THE COMPONENT PROGRAM OF
UNDERWRITERS LABORATORIES INC., FILE NO E60677.
- OPERATING TEMPERATURE RANGE: -40°C TO +110°C
-  NOT CUMULATIVE TOLERANCE.
- PACKED IN TRAY.

THIS DRAWING IS A CONTROLLED DOCUMENT.

DIMENSIONS:

mm



TOLERANCES UNLESS OTHERWISE SPECIFIED:

0 PLC	±-
1 PLC	±.3
2 PLC	±.25
3 PLC	±-
4 PLC	±-
ANGLES	±2

MATERIAL
SEE NOTESFINISH
SEE NOTES

DWN	04SEP2001
E. ZANOLINI	
CHK	04SEP2001
D. BIEVENOUR	
APVD	04SEP2001
D. BIEVENOUR	

PRODUCT SPEC
108-20166APPLICATION SPEC
114-20079WEIGHT
-

CUSTOMER DRAWING

 TE Connectivity
NAME
TERMINAL BLOCK PCB MOUNT
SIDE ENTRY WIRE 10.16mm PITCH

SIZE	CAGE CODE	DRAWING NO	RESTRICTED TO
A3	00779	C-282839	-

SCALE 4:1 SHEET 2 OF 2 REV E

1470-19 (3/13)

Mouser Electronics

Authorized Distributor

Click to View Pricing, Inventory, Delivery & Lifecycle Information:

[TE Connectivity:](#)

[282839-5](#)