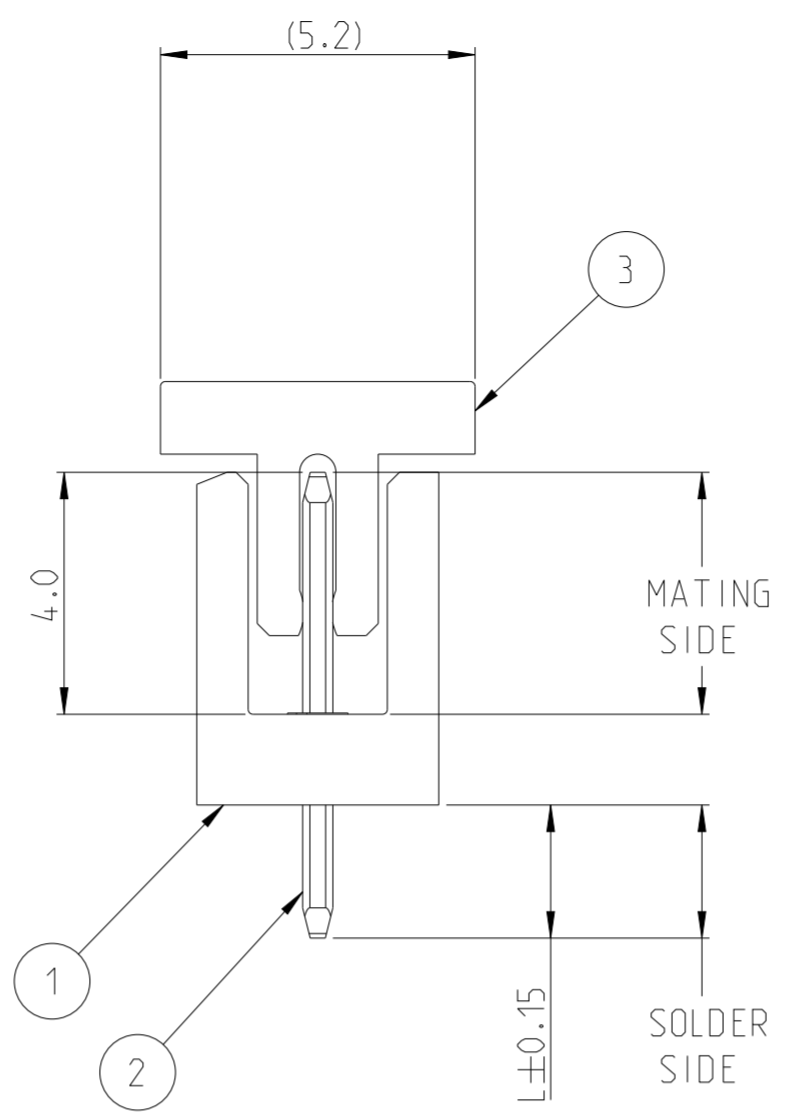
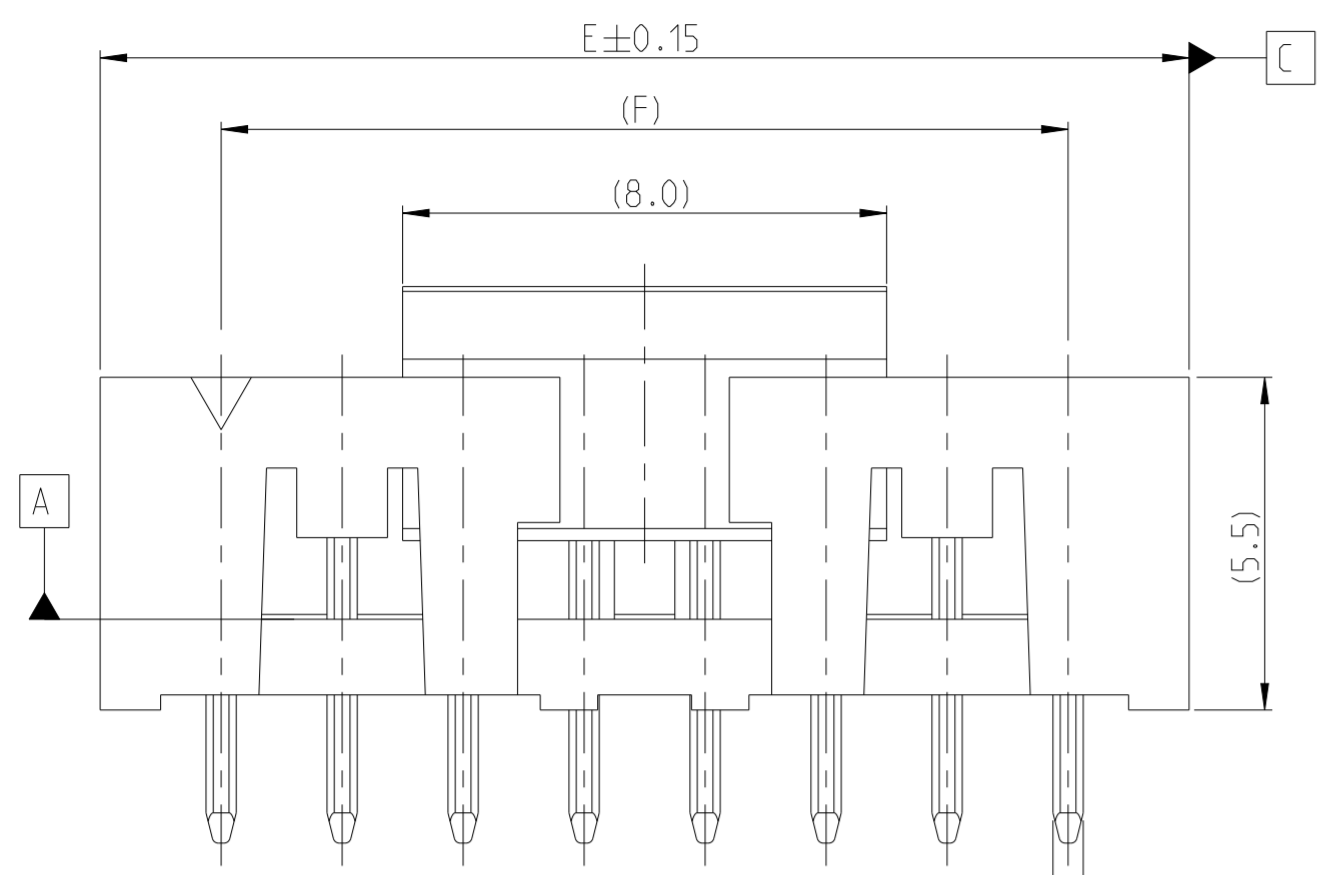
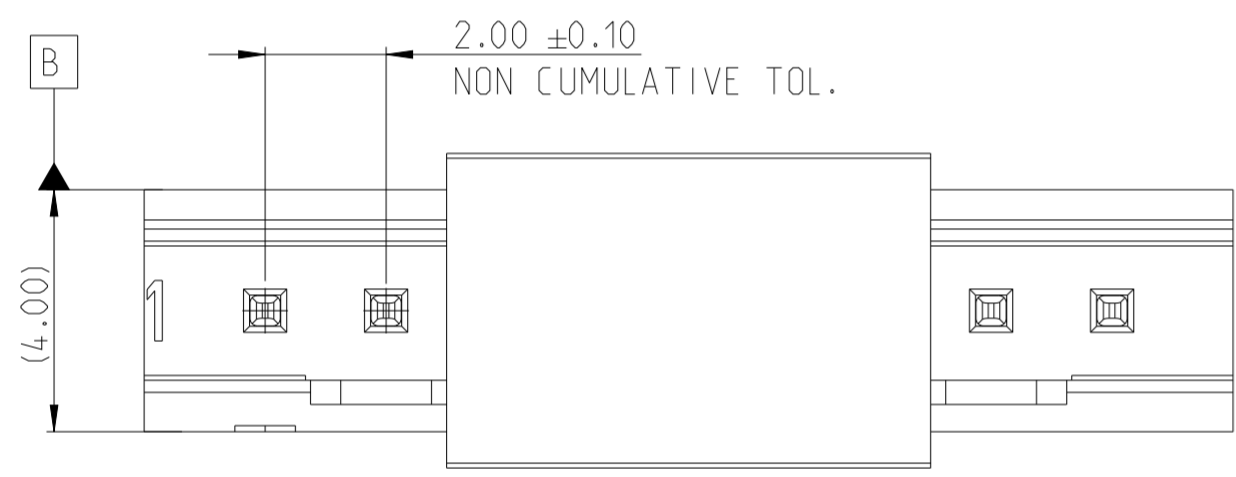


THIS DRAWING IS UNPUBLISHED. RELEASED FOR PUBLICATION
 © COPYRIGHT 2016 TE CONNECTIVITY ALL RIGHTS RESERVED.

REVISIONS				
P	LTR	DESCRIPTION	DATE	APVD
3		INITIAL RELEASE	23JUN2016	RP PS
4		NOTE 8 AND 9 ADDED	09JUN2021	DK PS

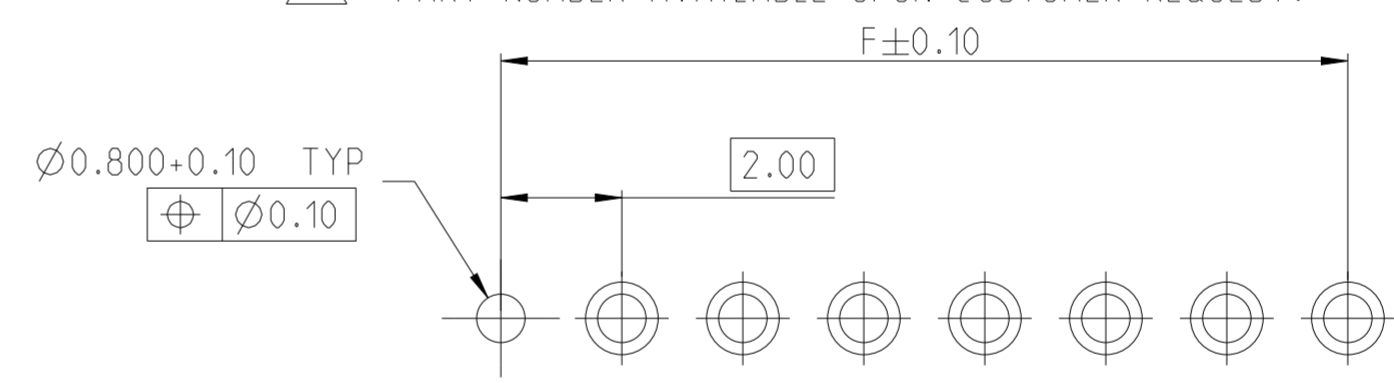


□ 0.50 ±0.03 TYP
 ⊕ ∅0.15 A B C

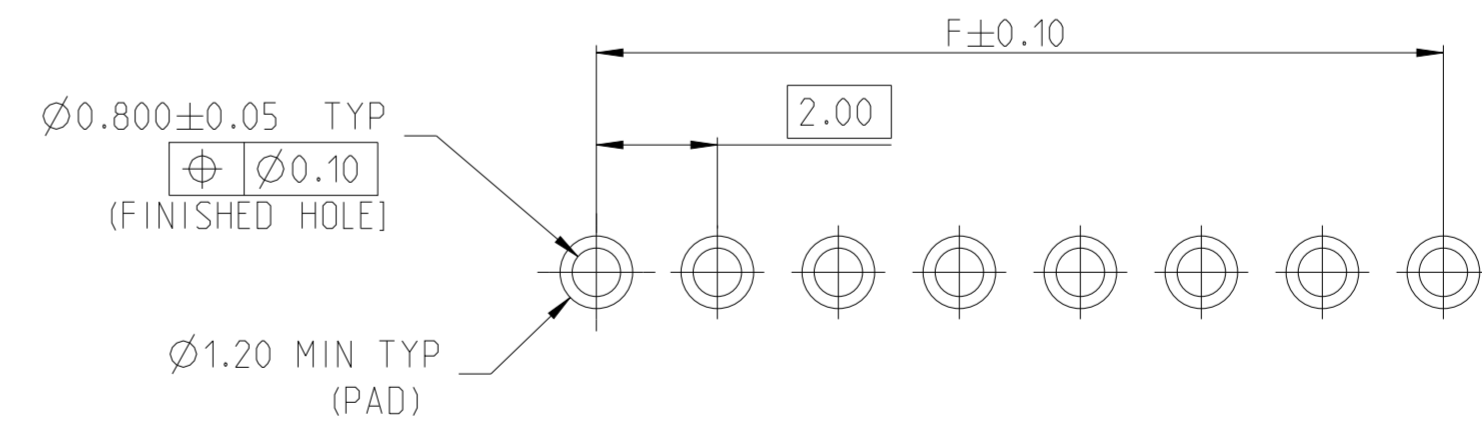


CAP	3
POST	2
HOUSING	1
DESCRIPTION	ITEM NO.

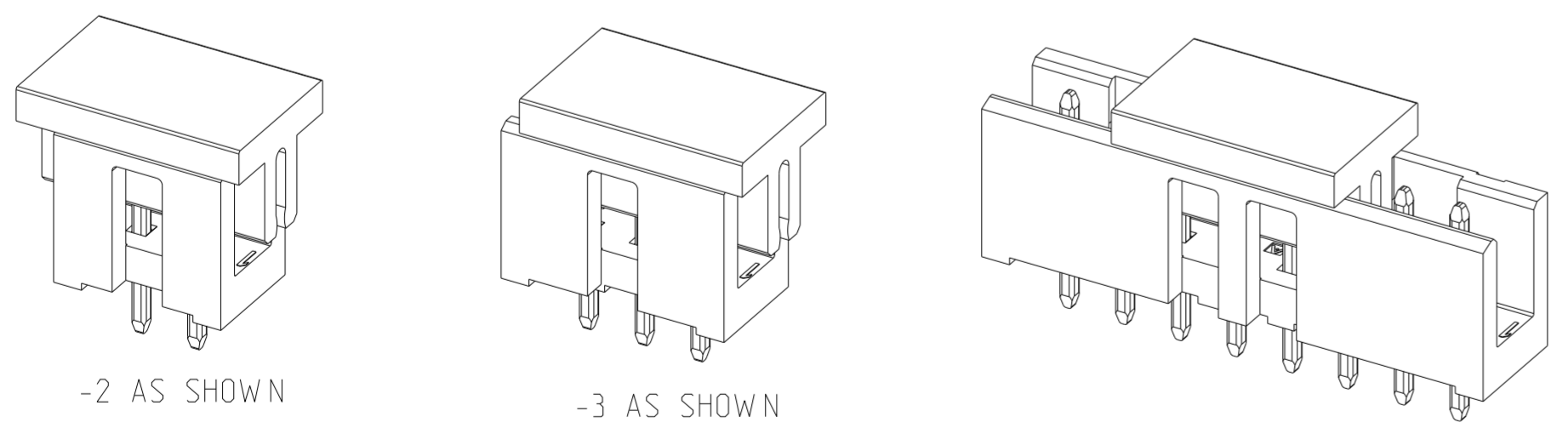
- NOTES:
- MATERIAL
 HOUSING & CAP : HIGH TEMPERATURE THERMOPLASTIC, UL94-V0;COLOR- BLACK
 POST : PHOSPHOR BRONZE
 - FINISH :
 - 3 - 5µm TIN OVER MIN 1.27µm NICKEL UNDER PLATING
 - 3 MATING SIDE: MIN. 0.1µm GOLD OVER MIN 1.27µm NICKEL UNDER PLATING
 SOLDER SIDE: 4 - 6µm TIN OVER MIN 1.27µm NICKEL UNDER PLATING
 - 4 MATING SIDE: MIN 0.38µm GOLD OVER MIN 1.27µm NICKEL UNDER PLATING
 SOLDER SIDE: 4 - 6µm TIN OVER MIN 1.27µm NICKEL UNDER PLATING
 - 5 MATING SIDE: MIN 0.76µm GOLD OVER MIN 1.27µm NICKEL UNDER PLATING
 SOLDER SIDE: 4 - 6µm TIN OVER MIN 1.27µm NICKEL UNDER PLATING
 - FOR HEADER PART NUMBER, NO. OF POSITIONS PER CONNECTOR HAS TO BE ADDED TO BASE NO. AS DASH NO.
 FOR EXAMPLE: 1-2823372-6 = 16 POSITION (SEE SHEET 2)
 - PACKAGING: A. TAPE & REEL WITH (W/) CAP.
 B. TUBE WITH (W/) AND WITHOUT (W/O) CAP.
 C. BOX (W/O) CAP.
 - FOR TUBE PACKAGING W/CAP:
 NO PICK AND PLACE CAP FOR -2 POS. HEADER POSITION STARTS FROM -3 POS.
 - PART NUMBER AVAILABLE UPON CUSTOMER REQUEST.



RECOMMENDED PCB HOLE PATTERN FOR THROUGH HOLE WAVE



RECOMMENDED PCB HOLE PATTERN FOR THROUGH HOLE REFLOW / PIN-IN-PASTE



THIS PRINT IS
PRELIMINARY
 UNQUALIFIED PRODUCT
 CONTACT PRODUCT ENGINEERING
 BEFORE USING THIS PRINT

THIS DRAWING IS A CONTROLLED DOCUMENT.		DWN 11FEB2016 RAKSHITH R NAYAK	TE Connectivity	
DIMENSIONS: mm		CHK 6APRIL2016 KARTHIK J K		
TOLERANCES UNLESS OTHERWISE SPECIFIED:		APVD 6APRIL2016 PRASHANTH S	NAME AMPMODU 2mm SHROUDED HEADER SINGLE ROW, VERTICAL	
0 PLC ±		PRODUCT SPEC 108-64040	SIZE CAGE CODE DRAWING NO RESTRICTED TO	
1 PLC ±0.1		APPLICATION SPEC 114-64040	A2100779 C-2823372	
2 PLC ±0.05		WEIGHT	SCALE 8:1 SHEET 1 OF 2 REV 4	
3 PLC ±		CUSTOMER DRAWING		
4 PLC ±				
ANGLES ±2°				
FINISH				
MATERIAL SEE NOTES				
SEE NOTES				

THIS DRAWING IS UNPUBLISHED. RELEASED FOR PUBLICATION
 © COPYRIGHT 2016 TE CONNECTIVITY ALL RIGHTS RESERVED.

REVISIONS				
P	LTR	DESCRIPTION	DATE	APVD
-		SEE SHEET 1	-	-

MATING PLATING SIDE (FINISH)	"L" SOLDER TAIL LENGTH	HEADER BASE NUMBERS			
		TAPE & REEL PKG W/ CAP	TUBE PKG W/ CAP	TUBE PKG W/O CAP	BOX PKG W/O CAP
TIN △2	2.2	2823497	2823839	2823372	2823843
	2.8	2823501	2823847	2823373	2823851
	3.4	N/A	N/A	N/A	2823374/9
GOLD FLASH 0.1µm △3	2.2	2823498	2823840	2823375	2823844
	2.8	2823502	2823848	2823376	2823852
	3.4	N/A	N/A	N/A	2823377/9
GOLD 0.38µm △4	2.2	2823499	2823841	2823378/9	2823845/9
	2.8	2823503	2823849	2823379/9	2823853/9
	3.4	N/A	N/A	N/A	2823380/9
GOLD 0.76µm △5	2.2	2823500	2823842	2823381	2823846
	2.8	2823504	2823850	2823382	2823854
	3.4	N/A	N/A	N/A	2823383/9

30	34	16	1- -6	
28	32	15	1- -5	
26	30	14	1- -4	△9
24	28	13	1- -3	△9
22	26	12	1- -2	
20	24	11	1- -1	
18	22	10	1- -0	
16	20	9	-9	△9
14	18	8	-8	
12	16	7	-7	
10	14	6	-6	
8	12	5	-5	
6	10	4	-4	
4	8	3	-3	
2	6	2	-2	△8
DIM "F"	DIM "E"	POSITION PER CONNECTOR	HEADER PN.	

* N/A - NOT AVAILABLE

THIS PRINT IS
PRELIMINARY
 UNQUALIFIED PRODUCT
 CONTACT PRODUCT ENGINEERING
 BEFORE USING THIS PRINT

THIS DRAWING IS A CONTROLLED DOCUMENT.		DWN 11FEB2016 RAKSHITH R NAYAK	STE TE Connectivity	
DIMENSIONS: mm		CHK 6APRIL2016 KARTHIK J K		
TOLERANCES UNLESS OTHERWISE SPECIFIED:		APVD 6APRIL2016 PRASHANTH S	NAME AMPMODU 2mm SHROUDED HEADER SINGLE ROW VERTICAL	
0 PLC ±		PRODUCT SPEC 108-64040	SIZE A2	
1 PLC ±0.1		APPLICATION SPEC 114-64040	CAGE CODE 00779	DRAWING NO C-2823372
2 PLC ±0.05		WEIGHT	RESTRICTED TO -	
3 PLC ±		CUSTOMER DRAWING	SCALE 5:1	SHEET 2 OF 2
4 PLC ±				REV 4
ANGLES ±°				
FINISH				
MATERIAL SEE NOTES				
SEE NOTES				

Mouser Electronics

Authorized Distributor

Click to View Pricing, Inventory, Delivery & Lifecycle Information:

[TE Connectivity:](#)

[1-2823381-0](#) [1-2823381-2](#) [1-2823381-6](#)