

THIS DRAWING IS UNPUBLISHED. RELEASED FOR PUBLICATION. ALL RIGHTS RESERVED.
 © COPYRIGHT 2016 TE CONNECTIVITY

REVISIONS					
P	LTR	DESCRIPTION	DATE	DWN	APVD
A		RELEASE TO PRODUCTION	05OCT2018	R RN	PS
A1		NOTE 9 ADDED	24 JUN2021	DK	PS
A2		T&R W/CAP AND TUBE W/CAP PACKAGING: NO PICK AND PLACE CAP FOR -4 POS.	02 JUL2021	DK	PS
A3		HOUSING CAVITY CORNER CHAMFER ADDED & CENTER STAND OFF REMOVED SMART PN NOMENCLATURE ADDED	07OCT2021	DK	PS

NOTES:

1. MATERIAL
 HOUSING & CAP : HIGH TEMPERATURE THERMOPLASTIC, UL94-V0;COLOR- BLACK
 POST : PHOSPHOR BRONZE

FINISH :

- △2 3 - 5 μm TIN OVER MIN 1.27 μm NICKEL UNDER PLATING
- △3 MATING SIDE: MIN. 0.1 μm GOLD OVER MIN 1.27 μm NICKEL UNDER PLATING
 SOLDER SIDE: 4 - 6 μm TIN OVER MIN 1.27 μm NICKEL UNDER PLATING
- △4 MATING SIDE: MIN 0.38 μm GOLD OVER MIN 1.27 μm NICKEL UNDER PLATING
 SOLDER SIDE: 4 - 6 μm TIN OVER MIN 1.27 μm NICKEL UNDER PLATING
- △5 MATING SIDE: MIN 0.76 μm GOLD OVER MIN 1.27 μm NICKEL UNDER PLATING
 SOLDER SIDE: 4 - 6 μm TIN OVER MIN 1.27 μm NICKEL UNDER PLATING

6. FOR SMART PART NUMBER, NO. OF POSITIONS PER CONNECTOR HAS TO BE ADDED NEXT TO NO. OF ROWS (2MM-HSD-D__-HT-___-___). REFER SHEET 3 NOMENCLATURE.

FOR EXAMPLE: 2MM-HSD-D02-HT-01-T-TB = 4 POSITION.
 2MM-HSD-D25-HT-01-T-TB = 50 POSITION.

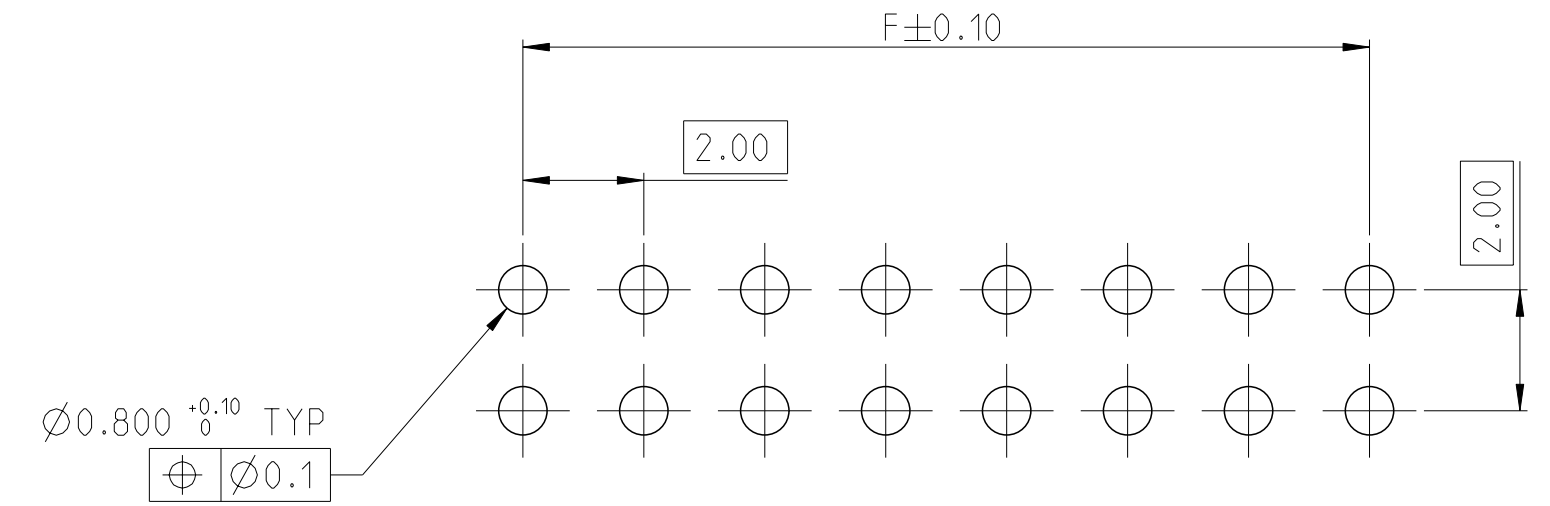
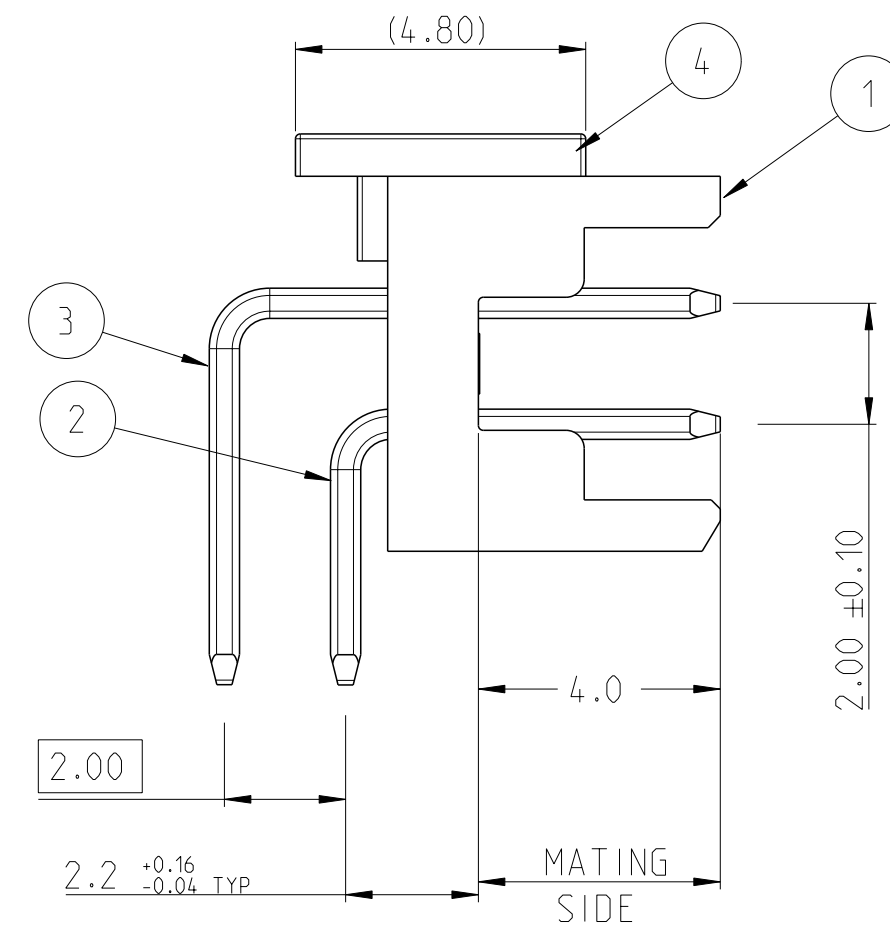
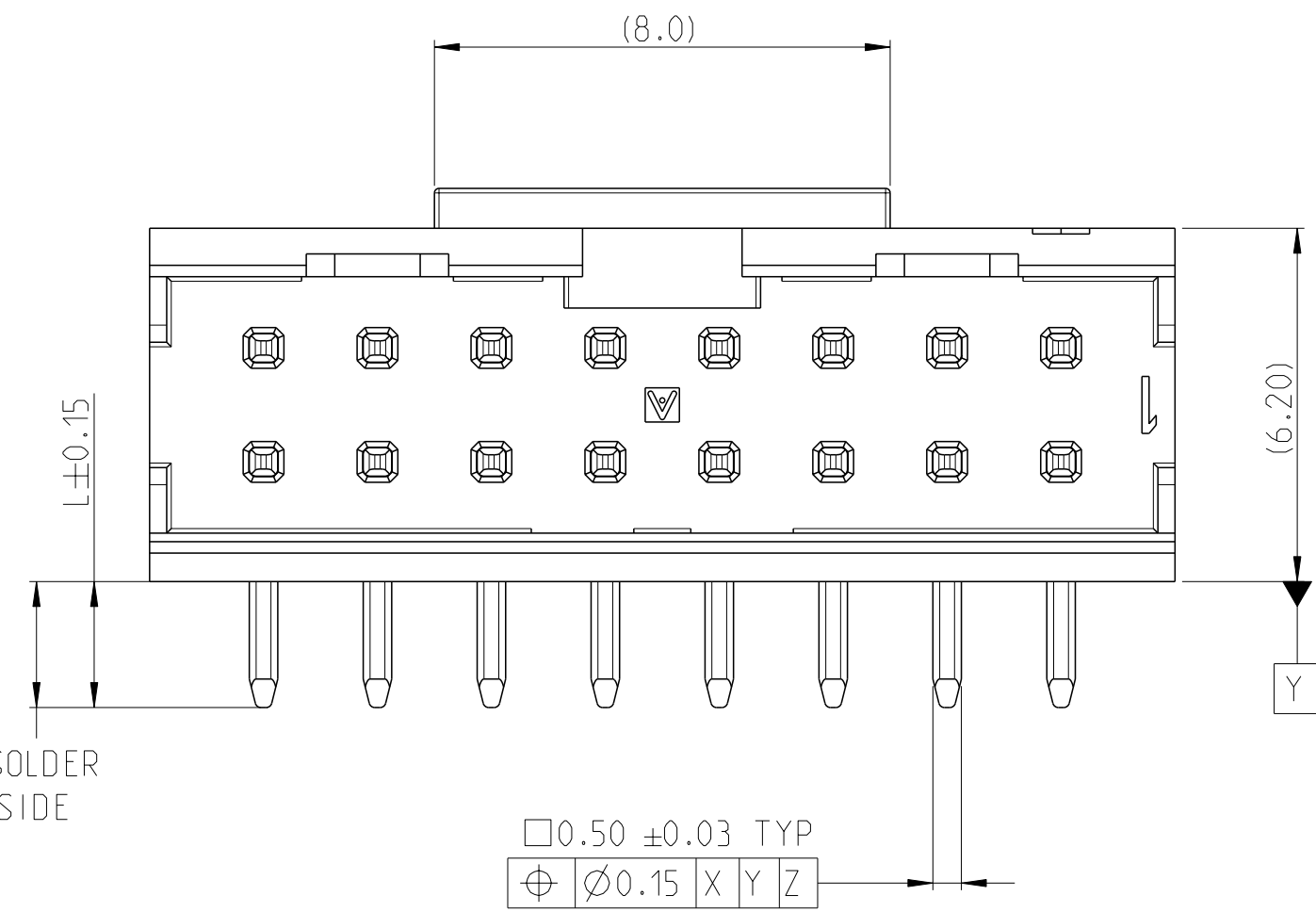
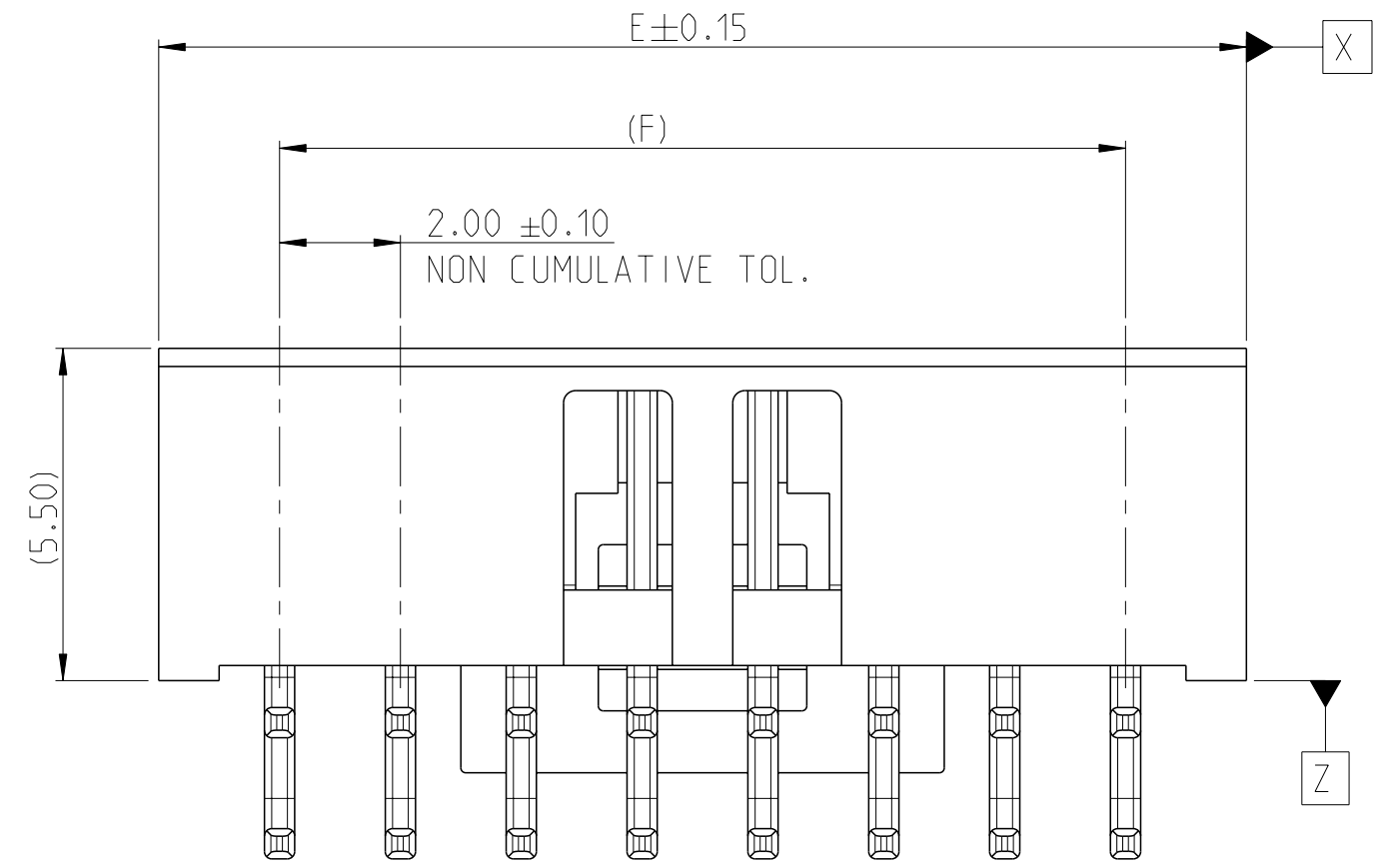
7. PACKAGING: A. TAPE & REEL WITH (W/) CAP.

B. TUBE WITH (W/) AND WITHOUT (W/O) CAP.

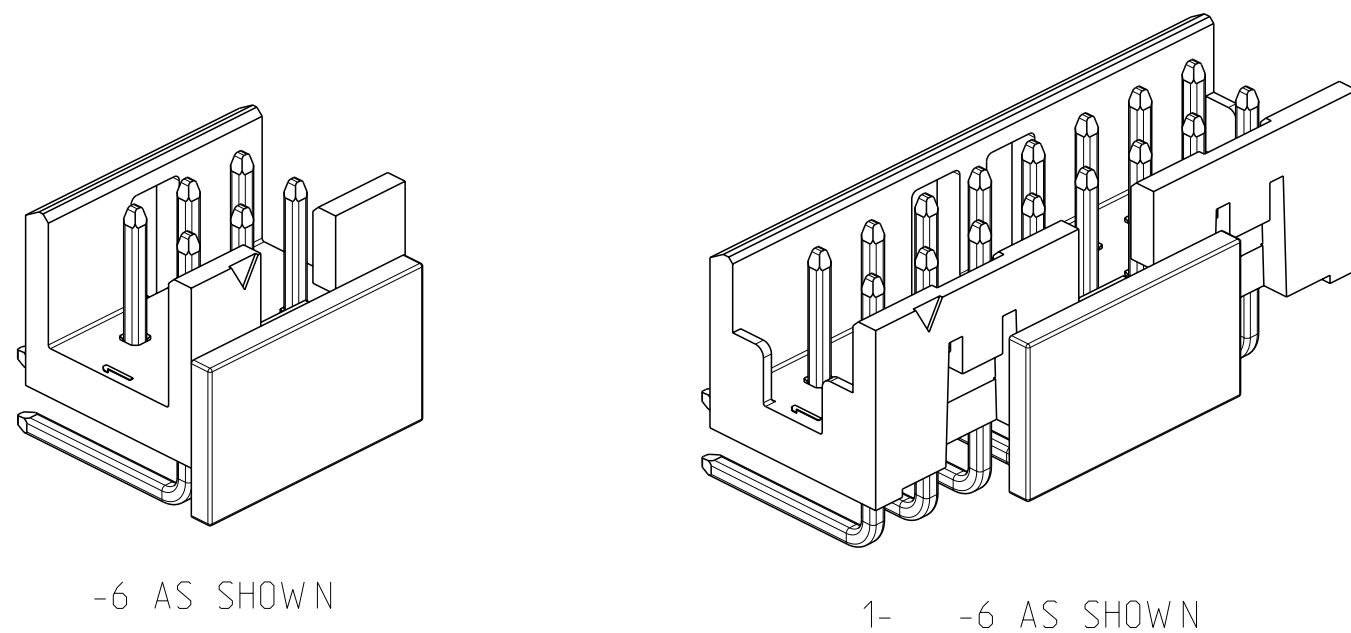
C. BOX (W/O) CAP.

△8 FOR T&R W/CAP AND TUBE W/CAP PACKAGING:
 NO PICK AND PLACE CAP FOR -4 POS. HEADER.
 HEADER POSITION STARTS FROM -6 POS.

△9 PART NUMBER AVAILABLE UPON CUSTOMER REQUEST.



RECOMMENDED PCB HOLE PATTERN FOR THROUGH HOLE WAVE




DESCRIPTION	ITEM
CAP	4
POST 2	3
POST 1	2
HOUSING	1

THIS DRAWING IS A CONTROLLED DOCUMENT.		DWN 11FEB2016 RAKSHITH NAYAK	TE Connectivity	
DIMENSIONS: mm		CHK 01APR2016 KARTHIK J K	NAME AMPMODU 2mm SHROUDED HEADER, DUAL ROW, RIGHT ANGLE	
TOLERANCES UNLESS OTHERWISE SPECIFIED:		APVD 01APR2016 PRASHANTH S	PRODUCT SPEC 108-64040	
0 PLC ±	1 PLC ±0.1	APPLICATION SPEC 114-64040		
2 PLC ±0.05	3 PLC ±	WEIGHT -		
4 PLC ±	ANGLES ±2°	CUSTOMER DRAWING		
MATERIAL SEE NOTES		FINISH SEE NOTES		SCALE 8:1 SHEET 1 OF 3 REV A3

THIS DRAWING IS UNPUBLISHED. RELEASED FOR PUBLICATION
 © COPYRIGHT 2016 TE CONNECTIVITY ALL RIGHTS RESERVED.

REVISIONS				
P	LTR	DESCRIPTION	DATE	APVD
-		SEE SHEET 1	-	-

48	52	50
42	46	44
38	42	40
30	34	32
28	32	30
26	30	28
24	28	26
22	26	24
20	24	22
18	22	20
16	20	18
14	18	16
12	16	14
10	14	12
8	12	10
6	10	8
4	8	6
2	6	4
DIM "F"	DIM "E"	POSITION PER CONNECTOR

THIS DRAWING IS A CONTROLLED DOCUMENT.		DWN 11FEB2016 RAKSHITH NAYAK	 TE Connectivity		
		CHK 01APR2016 KARTHIK J K			
DIMENSIONS: mm		APVD 01APR2016 PRASHANTH S	NAME AMPMODU 2mm SHROUDED HEADER, DUAL ROW, RIGHT ANGLE		
TOLERANCES UNLESS OTHERWISE SPECIFIED: 0 PLC ± 1 PLC ±0.1 2 PLC ±0.05 3 PLC ± 4 PLC ± ANGLES ±2°		PRODUCT SPEC 108-64040	SIZE A2	CAGE CODE 00779	DRAWING NO C-2823351
MATERIAL SEE NOTES		FINISH SEE NOTES	RESTRICTED TO -	SCALE 6:1 SHEET 2 OF 3 REV A3	
		WEIGHT -	CUSTOMER DRAWING		

Printed on 18 Oct 2021 15:05 (India Standard Time) from TE454782

THIS DRAWING IS UNPUBLISHED. RELEASED FOR PUBLICATION
 © COPYRIGHT 2016 TE CONNECTIVITY ALL RIGHTS RESERVED.

REVISIONS					
P	LTR	DESCRIPTION	DATE	DWN	APVD
-		SEE SHEET 1	-	-	-

SMART PART NUMBER
 2MM - HSD - D - HT - - - - -

PRODUCT SERIES

2MM AMPMODU 2mm series

GENDER / TYPE

HSD Shrouded headers for detent latch

NUMBER OF ROWS

D Double row

NUMBER OF PINS PER ROW

XX 02 through 16,20,22,25 (enter two digits)

ORIENTATION & TERMINATION

HT Horizontal through hole

PACKAGING

TB	Tube without cap	
TBP	Tube with cap	8
TRP	Tape and reel with cap	8
BX	Box	9

PLATING

T	Tin
F	0.1µm Gold (Gold flash)
M	0.38µm Gold
H	0.76µm Gold


TAIL LENGTH

01	2.2 mm
02	2.8 mm
03	3.4 mm

SMART PN EXAMPLES :

1. AMPMODU 2MM, SHROUDED HEADER STD VERSION, DOUBLE ROW, 02 POSITION PER ROW, RIGHT ANGLE MOUNT, 2.2MM SOLDER TAIL LENGTH, TIN PLATING, TUBE W/O CAP
2MM-HSD-D02-HT-01-T-TB
2. AMPMODU 2MM, SHROUDED HEADER STD VERSION, DOUBLE ROW, 25 POSITION PER ROW, RIGHT ANGLE MOUNT, 3.4MM SOLDER TAIL LENGTH, 0.76µm GOLD PLATING, BOX PACKAGING
2MM-HSD-D25-HT-03-H-BX

THIS PRINT IS
PRELIMINARY
 UNQUALIFIED PRODUCT
 CONTACT PRODUCT ENGINEERING
 BEFORE USING THIS PRINT

THIS DRAWING IS A CONTROLLED DOCUMENT.		DWN 11FEB2016 RAKSHITH NAYAK	 TE Connectivity	
DIMENSIONS: mm		CHK 01APR2016 KARTHIK J K		
TOLERANCES UNLESS OTHERWISE SPECIFIED:		APVD 01APR2016 PRASHANTH S	NAME AMPMODU 2mm SHROUDED HEADER, DUAL ROW, RIGHT ANGLE	
0 PLC ±		PRODUCT SPEC 108-64040	SIZE A2	
1 PLC ±0.1		APPLICATION SPEC 114-64040	CAGE CODE 00779	DRAWING NO C-2823351
2 PLC ±0.05		WEIGHT -	RESTRICTED TO -	
3 PLC ±		CUSTOMER DRAWING	SCALE 1:1	SHEET 3 OF 3
4 PLC ±				REV A3
ANGLES ±2°				
FINISH				
MATERIAL SEE NOTES				
SEE NOTES				

Printed on 18 Oct 2021 15:05 (India Standard Time) from TEL54782

Mouser Electronics

Authorized Distributor

Click to View Pricing, Inventory, Delivery & Lifecycle Information:

[TE Connectivity:](#)

[2823355-6](#)