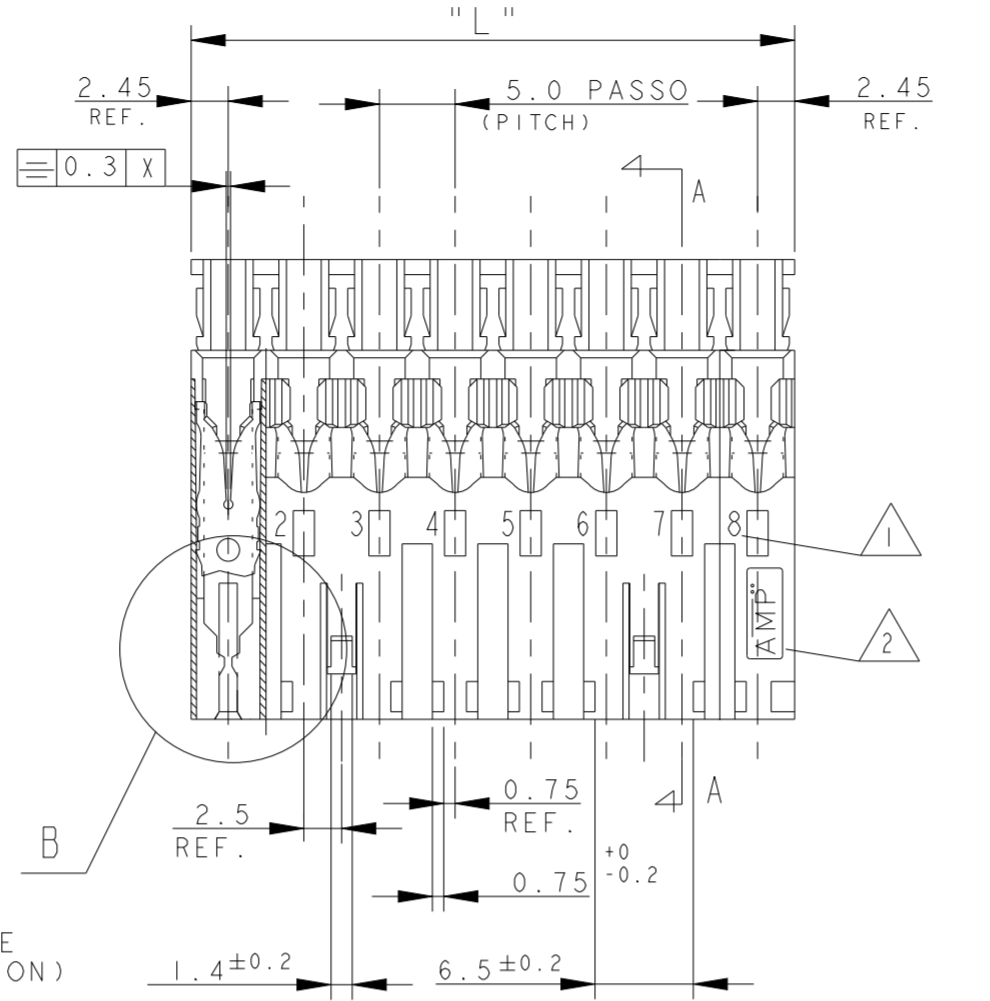
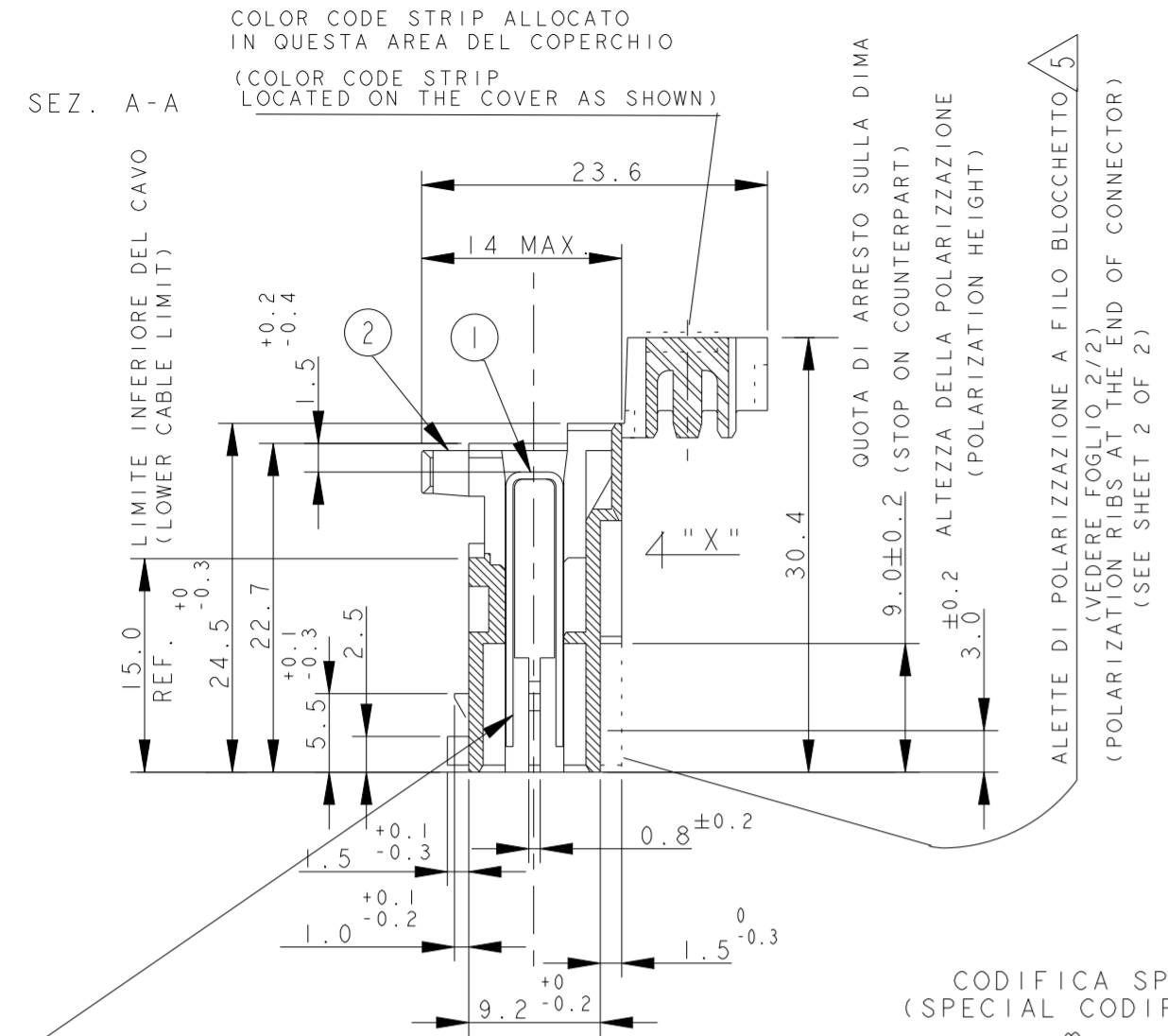


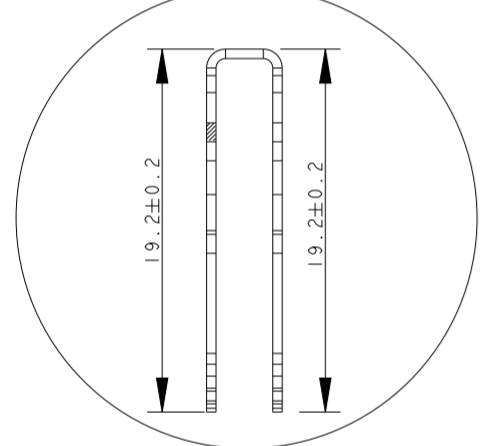
THIS DRAWING IS UNPUBLISHED. RELEASED FOR PUBLICATION  
 © COPYRIGHT 2011 ALL RIGHTS RESERVED.

LOC		DIST		REVISIONS			
P	LTR	DESCRIPTION	DATE	DWN	APVD		
	AB	ECR-21-106443	07JUL2021	SM	FL		
	ABI	ECR-21-110402	30AUG2021	KD	FL		

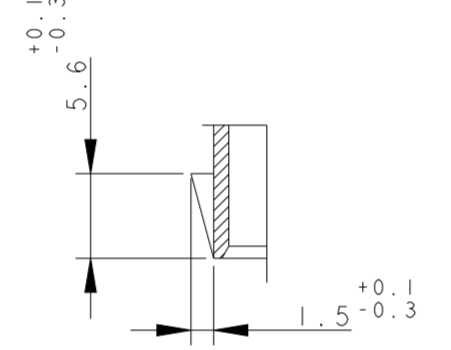
VISTE SOLO PER RIFERIMENTO  
 VIEWS ONLY FOR REFERENCE



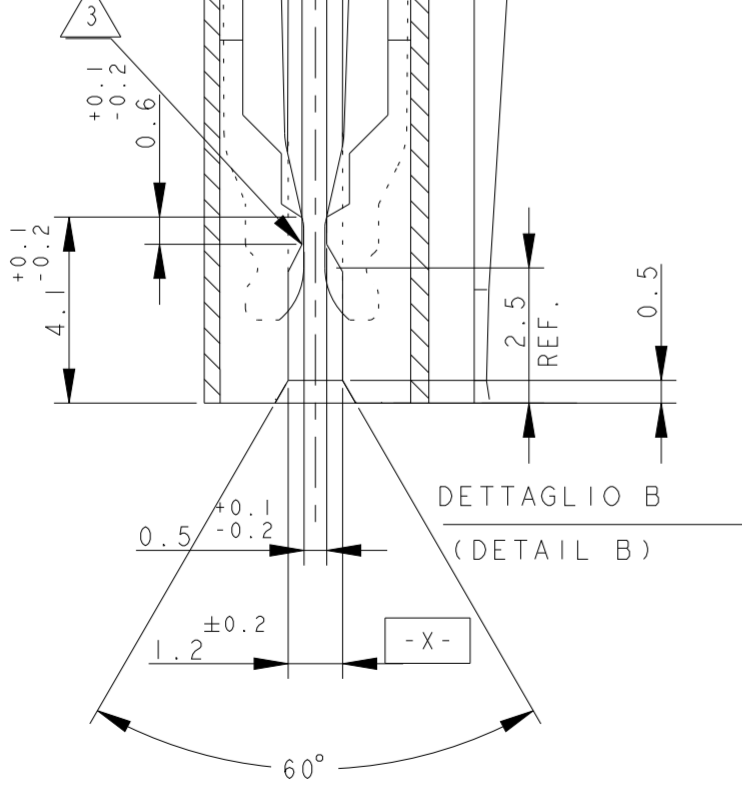
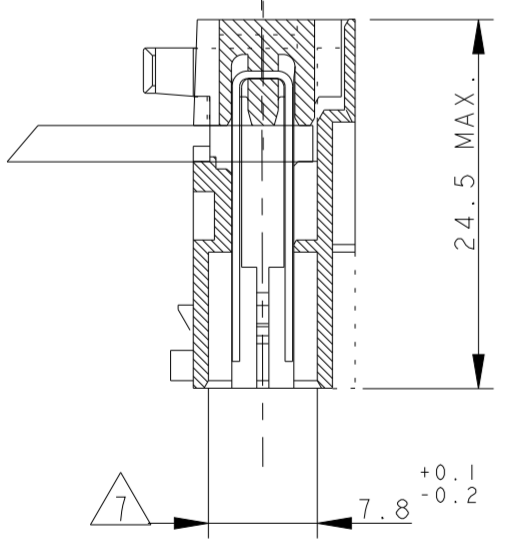
DETTAGLIO DEL CONTATTO, DIMENSIONI RIFERITE AL COMPONENTE INSERITO IN CAVITÀ (ENLARGED VIEW OF TAB CONTACT DIM. REFERRED TO CONTACT INSERTED IN THE HOUSING CAVITY)



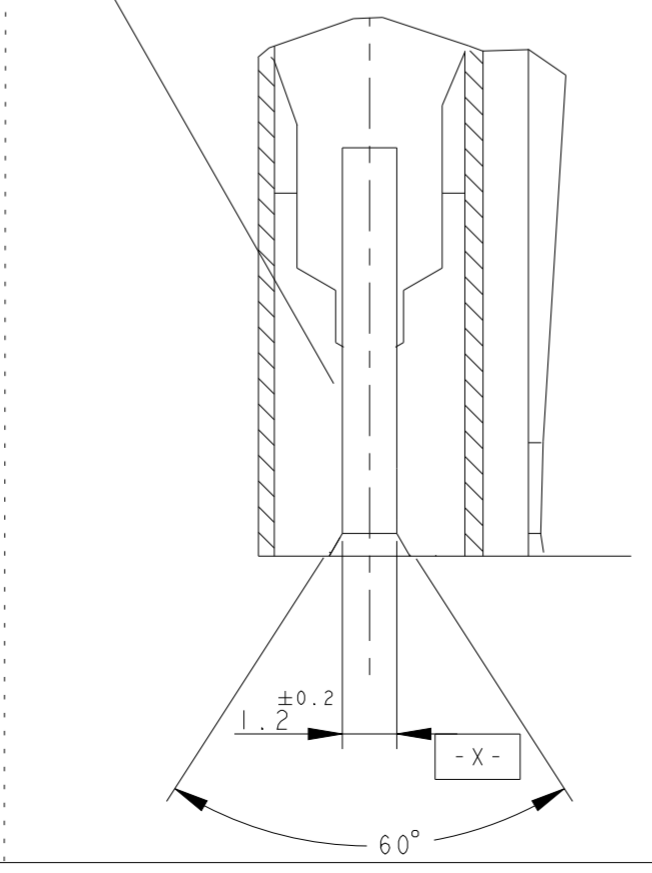
CODIFICA SPECIALE (SPECIAL CODIFICATION)



CONNETTORE COMPLETO DI CAVO (TERMINATED CONNECTOR)

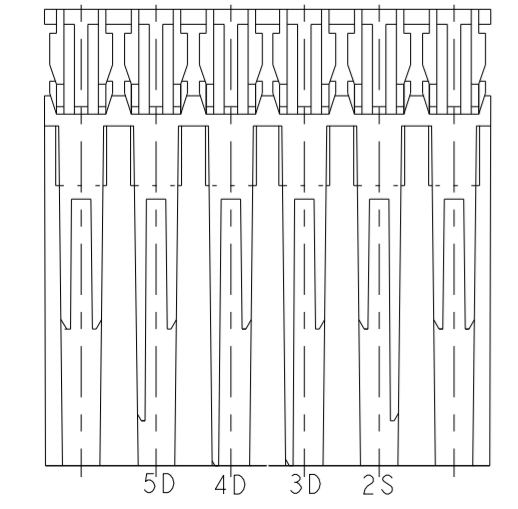


PN X-282002-8  
 PN I-2293382-2  
 (DETAIL "B" FOR CAVITY 1 & 2)



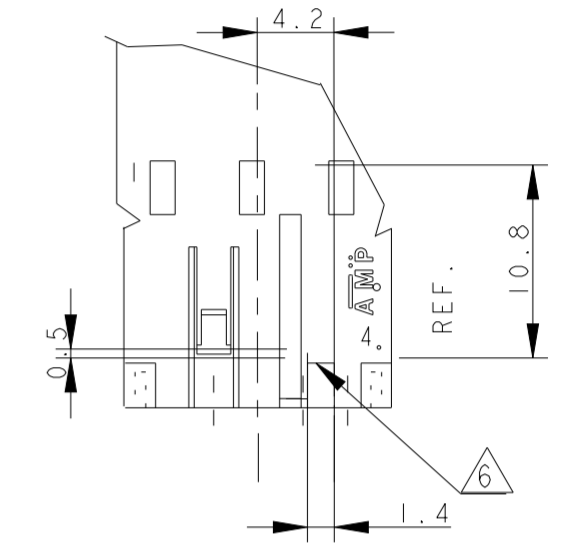
DETAIL PN/s:  
 1-282006-3  
 2-282006-3  
 3-282006-3

POLARIZATION KEYS (VIEW FROM "X")



- NOTE/NOTES:
- 1 NUMERI DI IDENTIFICAZIONE CAVITÀ (CIRCUIT IDENTIFICATION)
  - 2 MARCHIO DI FABBRICA LIBERA POSIZIONE (AMP LOGO FREE POSITION)
  - 3 RETENTION TOOTH IS REQUESTED FOR THE 2 AND 3 POS. ONLY
  - 4 PERTE PRELIMINARE, NON ANCORA IN PRODUZIONE (PRELIMINARY PART, NOT YET RELEASED FOR PRODUCTION)
  - 5 PER QUESTI P/N LA POLARIZZAZIONE POSTERIORE DEVE INTENDERSI COMPLETA, A FINE BLOCCETTO (per la rappresentazione vedere foglio 1/2) (FOR THE INDICATE P/N THE POLARIZATION MUST BE AT THE END OF CONNECTOR (see sheet 2 of 2.
  - 6 CODIFICA CON DIFFERENTE DIMENSIONE (CODIFICATION WITH DIFFERENT DIMENSION).
  - 7 BECOMES 6.5 FOR BOTH CAVITIES ON THE 2 POS., ON CAVITY N.1 AND N.3 ON THE 3 POS. AND ON CAVITY N.1 ON THE 4 POS. CONNECTOR
  - 8 INCLUDE LA POLARIZZAZIONE DOVE E' ESISTENTE (INCLUDING POLARIZATION KEY, WHEN EXISTING)
  - 9 DETAIL FOR PN X-282002-8 AND PN I-2293382-2, SPECIAL VERSION, SEE ALSO NOTE 3
  - 10 P/N NON RILASCIATO PER LA PRODUZIONE (P/N NOT YET RELEASED FOR PRODUCTION)
  - 11 ---
  - 12 GEOMETRIA ALTERNATIVA DEL DENTINO DI AGGANCIAMENTO VEDI NOTA 3 PER ALTRI DETTAGLI (ALTERNATIVE SHAPE FOR RETENTION TOOTH, SEE NOTE 3 FOR ADDITIONAL DETAILS)
  - 13 STATO DI FORNITURA: CONFEZIONAMENTO IN "VASSOI + SCATOLA" (PACKAGING: "ON TRAY PLUS CARTON BOX")
  - 14 CONFEZIONAMENTO IN BOBINA OBSOLETO (PACKAGING: ON REEL OBSOLETE)
  - 15 OBSOLETE PARTS: OBSOLETE CIS STREAMLINING PER D.RENAUD/D.SINISI
  - 16 THE DESIRED POLARIZATION CAN BE OBTAINED BY THE TERMINATION MACHINE
  - 17 EXCEPTION MADE FOR PN FOR THIS PN CAVITY 1 IS WITHOUT RETENTION TOOTH AND HAS THE SAME DESIGN AS THE CAVITY N.2
  - 18 OBSOLETE PART

DETAIL FOR PN 0-282233-2 ONLY



ITEM	DENOMINAZIONE (DESCRIPTION)	FINITURA / COLORE (FINISH / COLOUR)	MATERIALE (MATERIAL)
2	BLOCCETTO (HOUSING)	NATURALE (NATURAL)	PA 6.6 CARICATO VETRO (POLIAMIDE 6.6 GLASSFIBER FILLED)
1	CONTATTO (CONTACT)	STAGNATO (TIN-PLATED)	OTTONE (BRASS)

DIAM. ISOLANTE (INS. DIA. RANGE) 3,0 max.  
 RANGO FILO (WIRE RANGE) 0.5-1.5mm2

THIS DRAWING IS A CONTROLLED DOCUMENT.

DWN G. ENDRIZZI	23JUL1995	 TE Connectivity <b>MONO-SHAPE MK1          TAB CONNECTORS 2-10 POS.</b>
CHK G. TURCO	23JUL1995	
APVD G. TURCO	23JUL1995	
PRODUCT SPEC		
108-20065-1, 108-20065-2		NAME
APPLICATION SPEC		SIZE
114-20016, 114-20016-1		CAGE CODE
WEIGHT		DRAWING NO
Customer Drawing		A20779
SCALE		SHEET 1 OF 7
RESTRICTED TO		REV ABI

4

3

2

1

THIS DRAWING IS UNPUBLISHED. RELEASED FOR PUBLICATION  
 © COPYRIGHT 2011 ALL RIGHTS RESERVED.

LOC	DIST	REVISIONS			
P	LTR	DESCRIPTION	DATE	DWN	APVD
-	-	SEE SHEET 1			

NUMERO DI VIE	CONFIGURAZIONE (Vista connettore dall'alto) ①	TE PART NUMBER ASSY CONN.				POSIZIONE POLARIZ. (LATO POSTERIORE)	POSIZIONE AGGANCIAMENTO (LATO ANTERIORE)	POSIZIONE CODIFICA SPECIALE (LATO ANTERIORE)	L +0.2 -0.3 (mm)	NOTE MARCHIATURA CON BANDA COLORATA	POSSIBILI RAST 5 POLARIZ.
		VERSIONE PEZZI IN VASSOIO	VERSIONE PEZZI SCIOLTI	TRAY PACKAGING VERSION	PART REV						
NO OF POS	CONFIGURATION (View from top side) ①	TRAY PACKAGING VERSION	PART REV	LOOSE PIECES PACKAGING VERSION	PART REV	POLARIZ. POSITION (BACK SIDE)	LOCKING POSITION (FRONT SIDE)	SPECIAL COD. POSITION (FRONT SIDE)	L +0.2 -0.3 (mm)	NOTE STRIP COLOUR	POSSIBLE RAST 5 POLARIZ.
2		4-282002-1	AA	-	-	2S ⑤	1-2	-	9.9	NERO BLACK	02-C
2		1-282002-1	V	2-282002-1	V	2S ⑤	1-2	-	9.9	NERO BLACK	02-C
2		1-282002-2	V	2-282002-2	V	1S	1-2	-	9.9	GRIGIO GREY	02-B 02-E 02-F
2		1-282002-3	V	<del>2-282002-3</del>	V	2D	1-2	-	9.9	ROSSO RED	02-L
2		1-282002-4	V	<del>2-282002-4</del>	V	1D ⑤ 2S ⑤	1-2	-	9.9	BLU BLUE	02-A
2		1-282002-5	V	2-282002-5	V	1D	1-2	-	9.9	NERO BLACK	02-Q
2		3-282002-5	AA	-	-	1D	1-2	-	9.9	NERO BLACK	02-Q
2		1-282002-6	V	2-282002-6	V	-	1-2	-	9.9	NERO BLACK	-
2		1-282002-7	V	<del>2-282002-7</del>	V	-	1-2	-	9.9	-	-
2		1-282002-8	V	<del>2-282002-8</del>	V	1S 2D	1-2	-	9.9	VERDE GREEN	02-B 02-E 02-F
2		2-282002-9	I	-	-	1D 2D	1-2	-	9.9	-	-
2		3-282002-0	I	-	-	1S 1D	1-2	-	9.9	-	-
2		3-282002-4	AA	-	-	1D ⑤ 2S ⑤	1-2	-	9.9	-	02-A
2		5-282002-2	A	-	-	1S 2D	1-2	-	9.9	YELLOW	02-B 02-E 02-F
2		6-282002-0	AA	-	-	1S ⑤ 2S ⑤	1-2	-	9.9	RED	-

VISTE SOLO PER RIFERIMENTO  
 VIEWS ONLY FOR REFERENCE

LEGENDA  
 (DESCRIPTION)

① AMP MONO-SHAPE, TAB CONNECTORS (ESEMPIO DI CONFIGURAZIONE) (EXAMPLE OF CONFIGURATION)

AGGANCIAMENTO (LOCKING LANCE)  
 CODIFICA (CODIFICATION)  
 POLARIZZAZIONE (POLARIZATION)  
 CODIFICA SPECIALE (SPECIAL CODIFICATION)

POLARIZZAZIONE (POLARIZATION)  
 CODIFICA (CODIFICATION)  
 CODIFICA SPECIALE (SPECIAL CODIFICATION)  
 AGGANCIAMENTO (LOCKING LANCE)

THIS DRAWING IS A CONTROLLED DOCUMENT.		DWN G. ENDRIZZI 23 JUL 1995	TE Connectivity MONO-SHAPE MK1 TAB CONNECTORS 2-10 POS.	
DIMENSIONS: mm		CHK G. TURCO 23 JUL 1995		
TOLERANCES UNLESS OTHERWISE SPECIFIED:		APVD G. TURCO 23 JUL 1995	NAME	
0 PLC ± 1 PLC ± 2 PLC ± 3 PLC ± 4 PLC ± ANGLES ±		PRODUCT SPEC 108-20065-1, 108-20065-2	DRAWING NO	
MATERIAL FINISH		APPLICATION SPEC 114-20016, 114-20016-1	SIZE	RESTRICTED TO
SEE TABLE		WEIGHT	A200779	
SEE TABLE		Customer Drawing	SCALE	SHEET 2 OF 7

1471-9 (3/11)

4

3

2

1

THIS DRAWING IS UNPUBLISHED. RELEASED FOR PUBLICATION  
 © COPYRIGHT 2011 ALL RIGHTS RESERVED.

LOC	DIST	REVISIONS			
P	LTR	DESCRIPTION	DATE	DWN	APVD
-	-	SEE SHEET 1			

NUMERO DI VIE	CONFIGURAZIONE (Vista connettore dall'alto) ①	TE PART NUMBER ASSY CONN.				POSIZIONE POLARIZ. (LATO POSTERIORE)	POSIZIONE AGGANCIAMENTO (LATO ANTERIORE)	POSIZIONE CODIFICA SPECIALE (LATO ANTERIORE)	L +0.2 L -0.3 (mm) ⑧	NOTE MARCHIATURA CON BANDA COLORATA	POSSIBILE RAST 5 POLARIZ. ①⑥
		VERSIONE PEZZI IN VASSOIO	VERSIONE PEZZI SCIOLTI	TRAY PACKAGING VERSION	PART REV						
NO OF POS	CONFIGURATION (View from top side) ①	TRAY PACKAGING VERSION	PART REV	LOOSE PIECES PACKAGING VERSION	PART REV	POLARIZ. POSITION (BACK SIDE)	LOCKING POSITION (FRONT SIDE)	SPECIAL COD. POSITION (FRONT SIDE)	L +0.2 L -0.3 (mm)	NOTE STRIP COLOUR	POSSIBLE RAST 5 POLARIZ. ①⑥
3		1-282003-1	V	2-282003-1	V	1D	1-2	-	14.9	ARANCIO ORANGE	03-A 03-1
3		4-282003-1	AA	-	-	1D ⑤	1-2	-	14.9	ARANCIO ORANGE	03-A 03-1 ⑦
3		1-282003-2	V	2-282003-2	V	2D	2-3	-	14.9	BLU BLUE	03-B
3		1-282003-3	V	2-282003-3	V	1S 3D	1-2	-	14.9	VERDE GREEN	03-F
3		1-282003-4	V	2-282003-4	V	2D 3D	2-3	-	14.9	ROSSO RED	03-B
3		1-282003-5	V	2-282003-5	V	2D 3D	2-3	-	14.9	GRIGIO GREY	03-B
3		1-282003-6	V	2-282003-6	V	-	1-2	-	14.9	VIOLA VIOLET	-
3		1-282003-7	V	-	-	2D 3D	2-3	-	14.9	NERO BLACK	03-B
3		3-282003-3	I	-	-	1S 1D	1-2	-	14.9	-	-
3		3-282003-4	I	-	-	1D - 2S 2D - 3S	1-2	-	14.9	-	-
3		3-282003-5	I	-	-	1S 3D	2-3	-	14.9	-	-
3		3-282003-6	AA	-	-	1S - 1D 2S - 2D	1-2	-	14.9	-	-
3		3-282003-7	I	-	-	1S	1-2	-	14.9	-	-
3		0-282233-2	V	2-282233-2	V	1S ⑤	1-2	-	14.9	-	03-D ⑧
3		1-284396-1	Z	-	-	2S	2-3	-	14.9	NERO BLACK	-

VISTE SOLO PER RIFERIMENTO  
 VIEWS ONLY FOR REFERENCE

LEGENDA

(DESCRIPTION)

① AMP MONO-SHAPE, TAB CONNECTORS (ESEMPIO DI CONFIGURAZIONE) (EXAMPLE OF CONFIGURATION)

LATO BANDA COLORATA (COLOR STRIP SIDE)

AGGANCIAMENTO (LOCKING LANCE)

CODIFICA (CODIFICATION)

POLARIZZAZIONE (POLARIZATION)

POLARIZZAZIONE (POLARIZATION)

AGGANCIAMENTO (LOCKING LANCE)

CODIFICA (CODIFICATION)

CODIFICA SPECIALE (SPECIAL CODIFICATION)

THIS DRAWING IS A CONTROLLED DOCUMENT.		DWN G. ENDRIZZI 23 JUL 1995	TE Connectivity MONO-SHAPE MK1 TAB CONNECTORS 2-10 POS.	
DIMENSIONS: mm		CHK G. TURCO 23 JUL 1995		
TOLERANCES UNLESS OTHERWISE SPECIFIED: 0 PLC ± 1 PLC ± 2 PLC ± 3 PLC ± 4 PLC ± ANGLES ±		APVD G. TURCO 23 JUL 1995	NAME	
SEE TABLE		PRODUCT SPEC 108-20065-1, 108-20065-2	RESTRICTED TO	
SEE TABLE		APPLICATION SPEC 114-20016, 114-20016-1	SIZE A200779	DRAWING NO C-282002
MATERIAL FINISH		WEIGHT -	SCALE -	SHEET 3 OF 7
Customer Drawing		REV ABI		

1471-9 (3/11)

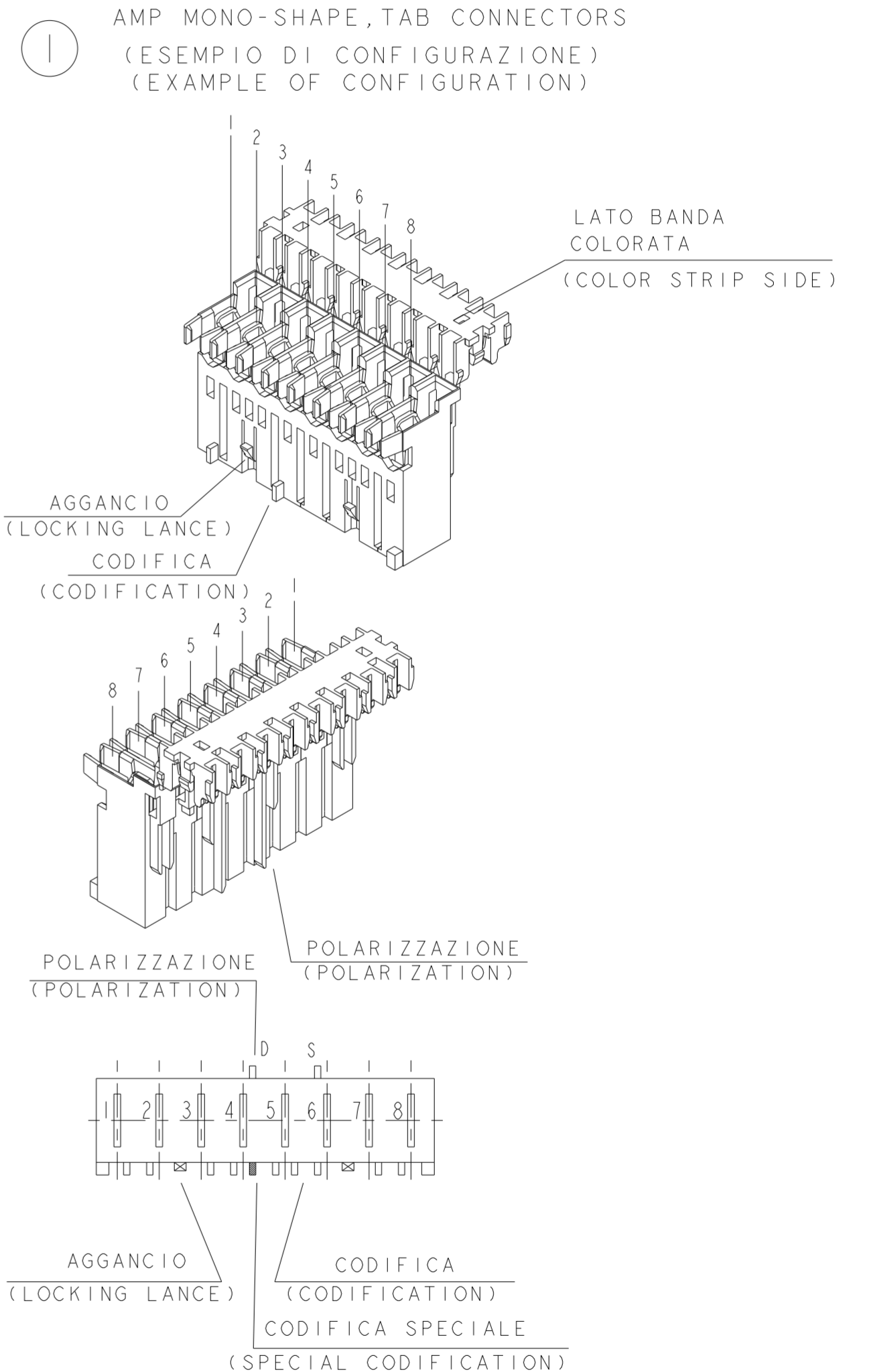
THIS DRAWING IS UNPUBLISHED. RELEASED FOR PUBLICATION  
 © COPYRIGHT 2011 ALL RIGHTS RESERVED.

LOC		DIST		REVISIONS			
P	LTR	DESCRIPTION		DATE	DWN	APVD	
-	-	SEE SHEET 1					

NUMERO DI VIE	CONFIGURAZIONE (Vista connettore dall'alto)	TE PART NUMBER ASSY CONN.		POSIZIONE POLARIZ. (LATO POSTERIORE)	POSIZIONE AGGANCIO (LATO ANTERIORE)	POSIZIONE CODIFICA SPECIALE (LATO ANTERIORE)	L +0.2 / -0.3 (mm)	NOTE MARCHIATURA CON BANDA COLORATA	POSSIBLE RAST 5 POLARIZ.	
		VERSIONE PEZZI IN VASSOIO	VERSIONE PEZZI SCIOLTI							
NO OF POS	CONFIGURATION (View from top side)	TRAY PACKAGING VERSION	PART REV	LOOSE PIECES PACKAGING VERSION	PART REV	POLARIZ. POSITION (BACK SIDE)	LOCKING POSITION (FRONT SIDE)	SPECIAL COD. POSITION (FRONT SIDE)	NOTE STRIP COLOUR	
4		1-282004-1	V	2-282004-1	V	1D	1-2	2D	GRIGIO GREY	04-A
4		1-282004-2	V	2-282004-2	V	3D	2-3	-	NERO BLACK	04-D
4		1-282004-3	V	2-282004-3	V	1D	1-2	2D	ROSSO RED	04-A
4		1-282004-4	S	-	-	3D	1-2	-	BLU BLUE	-
4		3-282004-4	AA	-	-	4D	3-4	-	-	04-A
4		4-282004-4	I	-	-	1S	1-2	-	-	-
4		4-282004-4	I	-	-	4D	3-4	-	-	-
5		1-282005-1	V	2-282005-1	V	4D	4-5	-	ROSSO RED	-
5		1-284545-1	Z	-	-	2S	4-5	-	ROSSO RED	-
5		1-284545-2	A	-	-	1S	-	3D	-	-
5		1-284545-3	A	-	-	5D	3-4	-	BLU BLUE	-
5		1-293003-5	Z	-	-	-	4-5	-	NERO BLACK	-
6		1-282006-2	V	2-282006-2	V	2S	2-3	-	VIOLA VIOLET	-
6		1-282006-3	V	2-282006-3	V	5D	-	-	-	-
6		1-282006-3	V	2-282006-3	V	2S - 3D	4-5	-	-	-
6		2-282006-4	V	-	-	4D - 5D	-	5S	NERO BLACK	-
6		1-284745-1	Z	-	-	3D	-	-	-	-
6		1-284745-2	I	-	-	5D	4-5	-	ROSSO RED	-
6		1-284745-2	I	-	-	6D	-	4D	RED	-
6		1-284745-3	AA	-	-	5D	3-4	-	VIOLET	-
6		1-284745-4	AA	-	-	1S	2-3	-	ORANGE	-
7		1-282007-1	V	2-282007-1	V	1D	1-2	3S	-	-
7		2-282007-2	V	-	-	5D	5-6	-	-	-
7		2-282007-2	V	-	-	4D	-	6S	VIOLA VIOLET	-
7		2-282007-3	I	-	-	6D	-	-	-	-
7		2-282007-3	I	-	-	1S - 2S - 2D	1-2	-	-	-
7		3-282007-2	AA	-	-	3S - 3D - 4D	-	-	-	-
7		1-284397-1	Z	-	-	5S - 6S - 6D	5-6	5S	-	-
7		1-284397-1	Z	-	-	7S - 7D	5-6	-	NERO BLACK	-
7		1-293004-7	Z	-	-	2D	1-2	-	ROSSO RED	-
7		1-293004-7	Z	-	-	-	1-2	-	-	-
7		2-293004-7	I	-	-	-	5-6	-	GRIGIO GREY	-
7		2-293004-7	I	-	-	-	1-2	-	-	-
8		0-284085-1	V	2-284085-1	V	2D - 6S	-	4S	-	-
8		0-284085-2	V	2-284085-2	V	4D - 6D	2-3	-	VIOLA VIOLET	-

VISTE SOLO PER RIFERIMENTO  
 VIEWS ONLY FOR REFERENCE

LEGENDA  
 (DESCRIPTION)



THIS DRAWING IS A CONTROLLED DOCUMENT.

DIMENSIONS: mm

TOLERANCES UNLESS OTHERWISE SPECIFIED: ±0.3

MATERIAL: SEE TABLE

FINISH: SEE TABLE

DWN: G. ENDRIZZI 23 JUL 1995  
 CHK: G. TURCO 23 JUL 1995  
 APVD: G. TURCO 23 JUL 1995

PRODUCT SPEC: 108-20065-1, 108-20065-2  
 APPLICATION SPEC: 114-20016, 114-20016-1

NAME: MONO-SHAPE MK1 TAB CONNECTORS 2-10 POS.

SIZE: A2  
 CAGE CODE: 0779  
 DRAWING NO: C-282002

RESTRICTED TO: -

Customer Drawing

SCALE: - SHEET 4 OF 7 REV: ABI

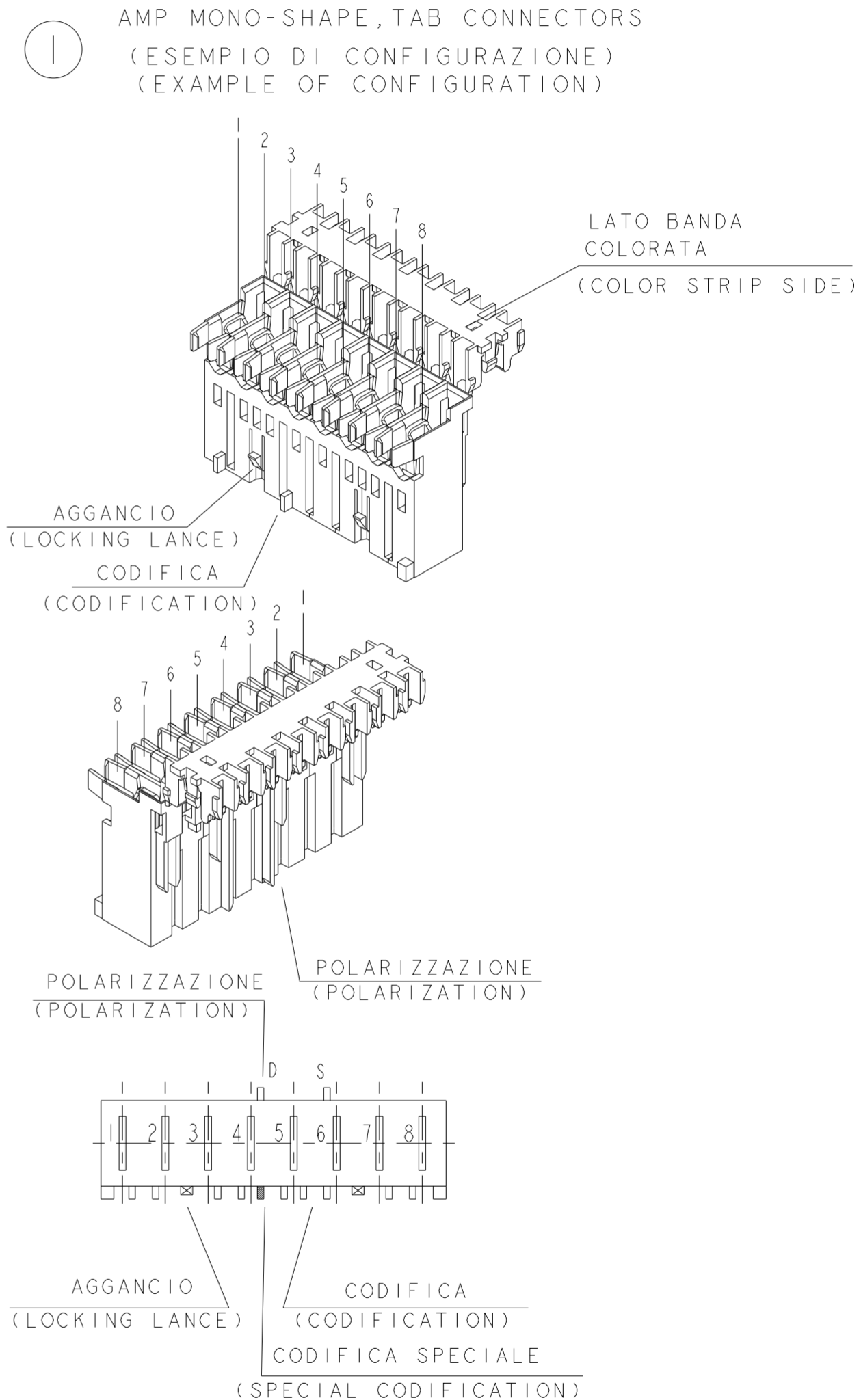
THIS DRAWING IS UNPUBLISHED. RELEASED FOR PUBLICATION  
 © COPYRIGHT 2011 ALL RIGHTS RESERVED.

LOC		DIST		REVISIONS			
P	LTR	DESCRIPTION		DATE	DWN	APVD	
-	-	SEE SHEET 1					

NUMERO DI VIE	CONFIGURAZIONE (Vista connettore dall'alto) ①	TE PART NUMBER ASSY CONN.				POSIZIONE POLARIZ. (LATO POSTERIORE)	POSIZIONE AGGANCIO (LATO ANTERIORE)	POSIZIONE CODIFICA SPECIALE (LATO ANTERIORE)	L +0.2 L -0.3 (mm) $\Delta$ 8	NOTE MARCHIATURA CON BANDA COLORATA
		VERSIONE PEZZI IN VASSOIO	VERSIONE PEZZI SCIOLTI	TRAY PACKAGING VERSION	PART REV					
10		1-282010-1	V	2-282010-1	V	6D 8S	4-5 8-9	6S	49.9	-
10		0-284004-1	V	-	-	6D 8S	4-5 8-9	6S	49.9	-

VISTE SOLO PER RIFERIMENTO  
 VIEWS ONLY FOR REFERENCE

LEGENDA  
 (DESCRIPTION)



THIS DRAWING IS A CONTROLLED DOCUMENT.		DWN G. ENDRIZZI 23 JUL 1995	TE Connectivity	
DIMENSIONS: mm		CHK G. TURCO 23 JUL 1995		
TOLERANCES UNLESS OTHERWISE SPECIFIED:		APVD G. TURCO 23 JUL 1995	NAME MONO-SHAPE MK1 TAB CONNECTORS 2-10 POS.	
0 PLC ± 1 PLC ± 2 PLC ± 3 PLC ± 4 PLC ± ANGLES ±		PRODUCT SPEC 108-20065-1, 108-20065-2	SIZE A20779	
MATERIAL SEE TABLE		APPLICATION SPEC 114-20016, 114-20016-1	DRAWING NO C-282002	
FINISH SEE TABLE		WEIGHT --	RESTRICTED TO -	
		Customer Drawing	SCALE -	SHEET 5 OF 7 REV. ABI

THIS DRAWING IS UNPUBLISHED. RELEASED FOR PUBLICATION  
 © COPYRIGHT 2011 ALL RIGHTS RESERVED.

# PA GF, UL-VO GWEPT 750° C NO FLAME, NATURAL

LOC		DIST		REVISIONS			
P	LTR	DESCRIPTION	DATE	DWN	APVD		
-	-	SEE SHEET 1					

No. of POS.	CONFIGURATION ONLY FOR REF	ON TRAY		LOOSE PIECES		SEE SHEET 1 FOR ADDITIONAL DETAILS AND NOTES					
		P/N ASS'Y	PART REV.	P/N ASS'Y	PART REV.	POLARIZ. POSITION (BACK SIDE)	LOCKING POSITION (FRONT SIDE)	SPECIAL CODIFICAT. POSITION (FRONT SIDE)	L (mm)	COLOR CODE	POSSIBLE RAST POLARIZ.
2		2293382-2	AA			1S 2D	1-2	-	9.9		02-B 02-E 02-F
2		1-2293382-2	AA			1S 2D	1-2		9.9	GREEN	02-B 02-E 02-F
2		2-2293382-2	AA			1D 2D	1-2	-	9.9		
2		3-2293382-2	AA			1D 2S	1-2		9.9	BLUE	02-A
2		4-2293382-2	AA			1S 1D	1-2	-	9.9		
2		5-2293382-2	AA			1S 2D	1-2	-	9.9	GREY	02-B 02-E 02-F
2		6-2293382-2	AA			1D 2S	1-2		9.9		02-A
2		7-2293382-2	AB			2D	1-2	-	9.9	RED	02-L
3		2293382-3	AA			2S	2-3	-	14.9		
3		1-2293382-3	AA			-	1-2		14.9	VIOLET	-
3		2-2293382-3	AA			1D	1-2	-	14.9	ORANGE	03-A 03-1
3		3-2293382-3	AA			1S 1D	1-2	-	14.9		
3		4-2293382-3	AA			1D 2S 2D 3S	1-2	-	14.9		
3		5-2293382-3	AA			1S 3D	2-3	-	14.9		
3		6-2293382-3	AA			1S 1D 2S 2D	1-2	-	14.9		
3		7-2293382-3	AA			1S 3D	1-2		14.9	GREEN	03-F
3		8-2293382-3	AB			2D 3D	2-3	-	14.9		
4		2293382-4	AA			1D	1-2 3-4	2D	19.9	GREY	04-A
4		1-2293382-4	AA			1S 4D	1-2 3-4	-	19.9		
4		2-2293382-4	AA			1D 2S	1-2 3-4	-	19.9		
4		3-2293382-4	AA			1D 2S 3S 4S	1-2 3-4	-	19.9		

THIS DRAWING IS A CONTROLLED DOCUMENT.		DWN G. ENDRIZZI	23 JUL 1995	 TE Connectivity	NAME MONO-SHAPE MK1 TAB CONNECTORS 2-10 POS.		
DIMENSIONS: mm		CHK G. TURCO	23 JUL 1995				
TOLERANCES UNLESS OTHERWISE SPECIFIED:		APVD G. TURCO	23 JUL 1995				
0 PLC ± 1 PLC ± 2 PLC ± 3 PLC ± 4 PLC ± ANGLES ±		PRODUCT SPEC 108-20065-1, 108-20065-2	APPLICATION SPEC 114-20016, 114-20016-1				
MATERIAL SEE TABLE	FINISH SEE TABLE	WEIGHT --	Customer Drawing	SIZE A2	CAGE CODE b0779	DRAWING NO C-282002	RESTRICTED TO -
SCALE -			SHEET 6	OF 7	REV ABI		

THIS DRAWING IS UNPUBLISHED. RELEASED FOR PUBLICATION  
 © COPYRIGHT 2011 ALL RIGHTS RESERVED.

LOC		DIST		REVISIONS			
P	LTR	DESCRIPTION	DATE	DWN	APVD		
		SEE SHEET 1					

### PA GF, UL-V0 GWEPT 750° C NO FLAME, NATURAL

No. of POS.	CONFIGURATION ONLY FOR REF	ON TRAY		LOOSE PIECES		SEE SHEET 1 FOR ADDITIONAL DETAILS AND NOTES					
		P/N ASS'Y	PART REV.	P/N ASS'Y	PART REV.	POLARIZ. POSITION (BACK SIDE)	LOCKING POSITION (FRONT SIDE)	SPECIAL CODIFICAT. POSITION (FRONT SIDE)	L (mm)	COLOR CODE	POSSIBLE RAST 5 POLARIZ.
4		4-2293382-4	AA			1D	1-2 3-4	-	19.9		
4		5-2293382-4	AB			3D	2-3	-	19.9	BLACK	04-D
5		2293382-5	AA			-	4-5	-	24.9		
5		1-2293382-5	AA			-	3-4	3S	24.9		
5		2-2293382-5	AA			1S 2D 4D 5D	1-2 4-5	-	24.9		
	6	2293382-6	I			TBD	TBD	TBD	29.9		
	7	2293382-7	I			-	1-2 5-6	-	34.9		
	7	2-2293382-7	I			1S 2S 2D 3S 3D 4D 5S 6S 6D 7S 7D	1-2 5-6		34.9		
	8	2293382-8	I			TBD	TBD	TBD	39.9		
	9	2293382-9	I			TBD	TBD	TBD	44.9		
	10	1-2293382-0	I			6D 8S	4-5 8-9	6S	49.9		

THIS DRAWING IS A CONTROLLED DOCUMENT.		DWN G. ENDRIZZI	23 JUL 1995	TE Connectivity MONO-SHAPE MK1 TAB CONNECTORS 2-10 POS.	
DIMENSIONS:		CHK G. TURCO	23 JUL 1995		
mm		APVD G. TURCO	23 JUL 1995		
		PRODUCT SPEC 108-20065-1, 108-20065-2			
TOLERANCES UNLESS OTHERWISE SPECIFIED:		APPLICATION SPEC 114-20016, 114-20016-1		SIZE	CAGE CODE
0 PLC ± 1 PLC ± 2 PLC ± 3 PLC ± 4 PLC ± ANGLES ±		WEIGHT		A2	0779
MATERIAL		Customer Drawing		DRAWING NO C-282002	
SEE TABLE		SEE TABLE		RESTRICTED TO	REV ABI
				SCALE	SHEET 7 OF 7

# Mouser Electronics

Authorized Distributor

Click to View Pricing, Inventory, Delivery & Lifecycle Information:

[TE Connectivity:](#)

[1-282002-3](#)