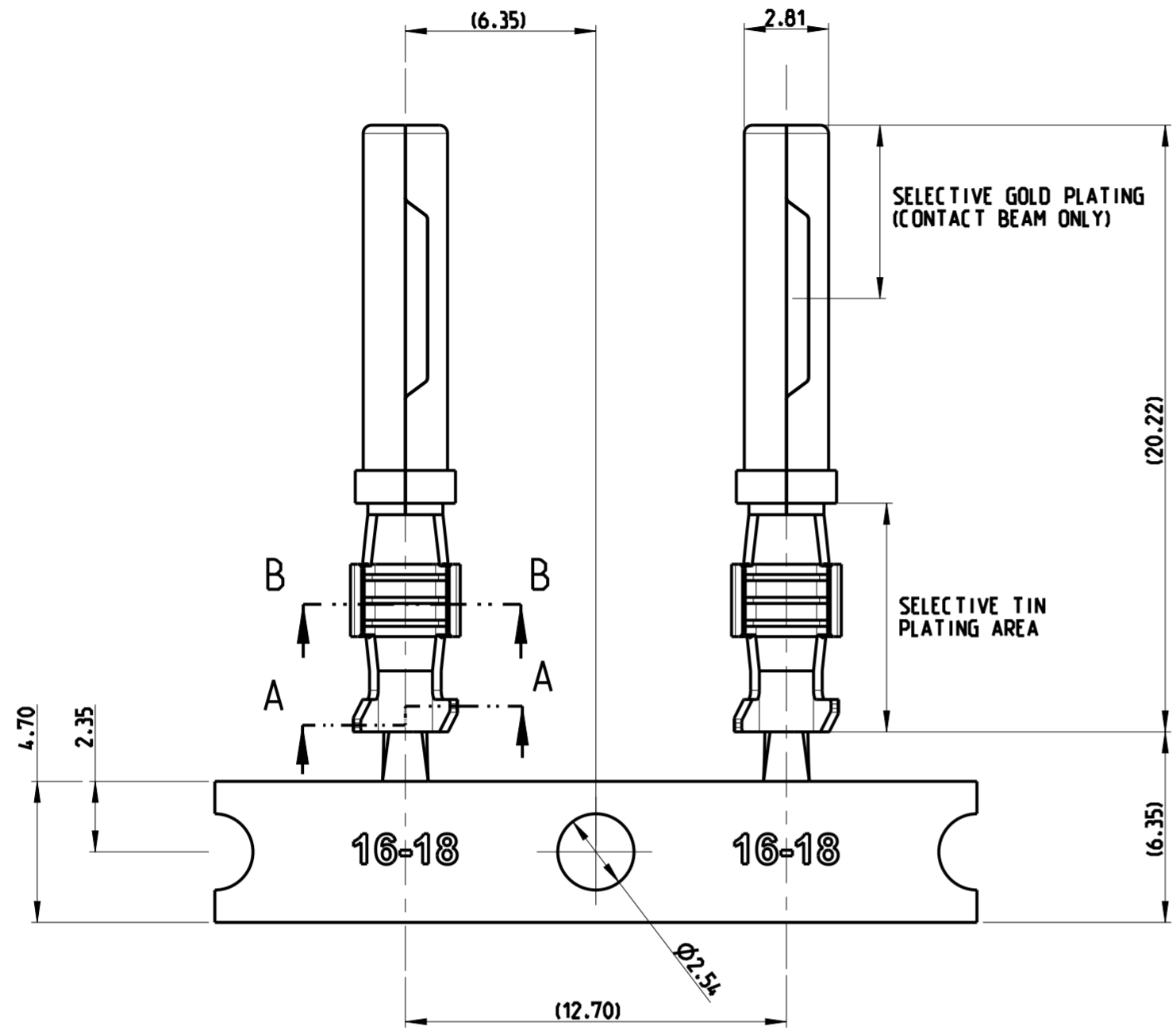


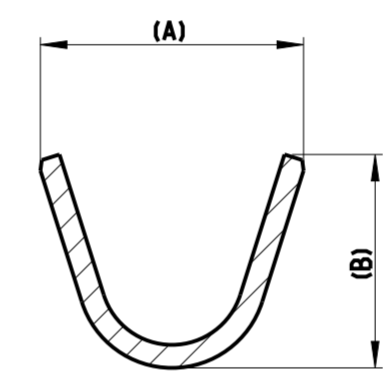
© 2020 TE Connectivity. All Rights Reserved.

REVISIONS				
P	LTR	DESCRIPTION	DATE	APVD
A		INITIAL RELEASE	05FEB2021	J.G J.Y

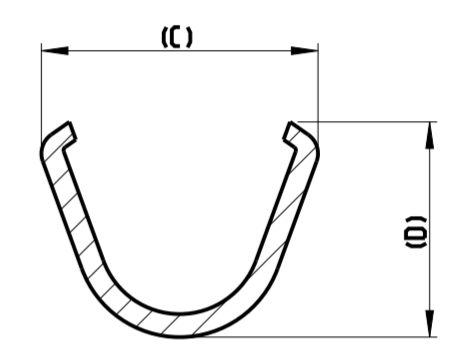


SCALE 5:1
16-18 AWG SIZE SHOWN

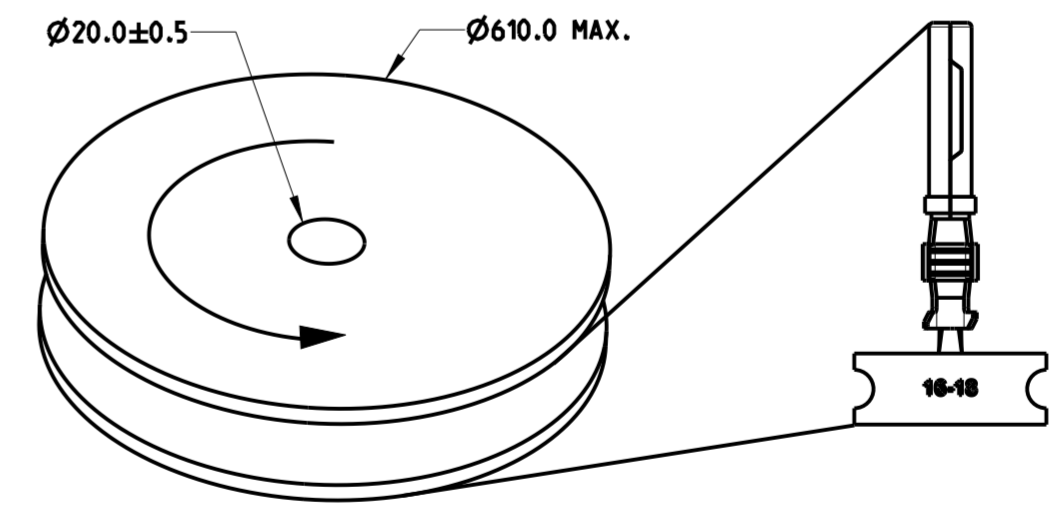
- 1 MATERIAL: COPPER ALLOY 0.300 THICKNESS.
- 2 FINISH: SELECTIVE TIN 0.5µm MINIMUM OVER NICKEL 1.00µm MINIMUM OVERALL.
- 3 FINISH: SELECTIVE HARD GOLD 0.60µm MINIMUM WITH SELECTIVE TIN 0.5µm MINIMUM OVER NICKEL 1.00µm MINIMUM OVERALL.
- 4. STRIP PARTS ARE REELED 3000 PARTS PER REEL.
- 5. TERMINAL FOR USE ON XRC & ML-XT CONNECTOR ASSEMBLIES.



SECTION A-A
SCALE: 10:1
INSULATION CRIMP



SECTION B-B
SCALE: 10:1
CONDUCTOR CRIMP



INSULATION RANGE	WIRE RANGE	STAMP NO.	D	C	B	A	FINISH	MATERIAL	PART NUMBER
0.22mm-0.50mm	20-24 AWG	20-24	2.02	2.25	2.60	2.43	SELECTIVE GOLD 3	COPPER ALLOY 1	5-2600021-5
0.22mm-0.50mm	20-24 AWG	20-24	2.02	2.25	2.60	2.43	NICKEL 2		5-2600021-3
1.40mm-2.54mm	0.5-1.0 mm ²	0.5-1.0	2.90	3.71	2.92	3.40	SELECTIVE GOLD 3		4-2600021-5
1.40mm-2.54mm	0.5-1.0 mm ²	0.5-1.0	2.90	3.71	2.92	3.40	NICKEL 2		4-2600021-3
2.41mm-3.81mm	14-18 AWG	14-18	3.43	4.05	4.60	5.68	SELECTIVE GOLD 3		3-2600021-5
2.41mm-3.81mm	14-18 AWG	14-18	3.43	4.05	4.60	5.68	NICKEL 2		3-2600021-3
1.90mm-3.30mm	14-18 AWG	14-18 TW	3.27	3.95	3.38	4.57	SELECTIVE GOLD 3		2-2600021-5
1.90mm-3.30mm	14-18 AWG	14-18 TW	3.27	3.95	3.38	4.57	NICKEL 2		2-2600021-3
1.40mm-2.16mm	16-18 AWG	16-18	2.85	3.64	2.82	3.48	SELECTIVE GOLD 3		1-2600021-5
1.40mm-2.16mm	16-18 AWG	16-18	2.85	3.64	2.82	3.48	NICKEL 2		1-2600021-3

THIS DRAWING IS A CONTROLLED DOCUMENT.

DWN	J.GU	05FEB2021
CHK	W.ZHANG	05FEB2021
APVD	J.YIN	05FEB2021

STE TE Connectivity

NAME: XRC SOCKET W/SNAP WINDOW

SIZE	CAGE CODE	DRAWING NO.	RESTRICTED TO
A2	00779	C-2600021	

CUSTOMER DRAWING SCALE 5:1 SHEET 1 OF 1 REV A

Mouser Electronics

Authorized Distributor

Click to View Pricing, Inventory, Delivery & Lifecycle Information:

[TE Connectivity:](#)

[845250063](#)