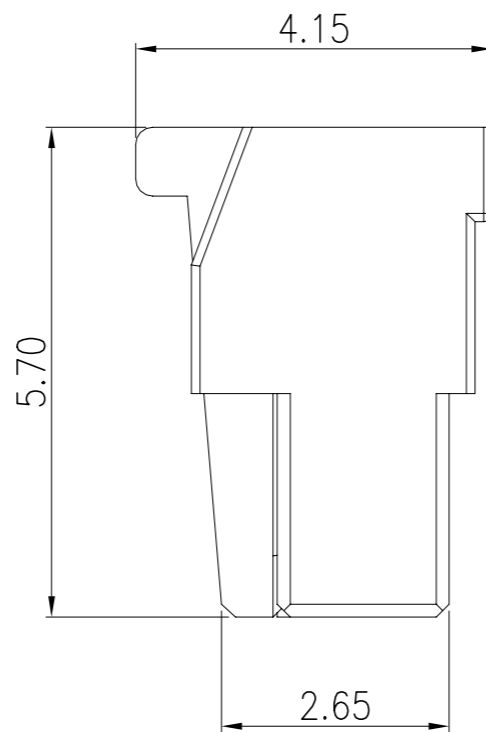
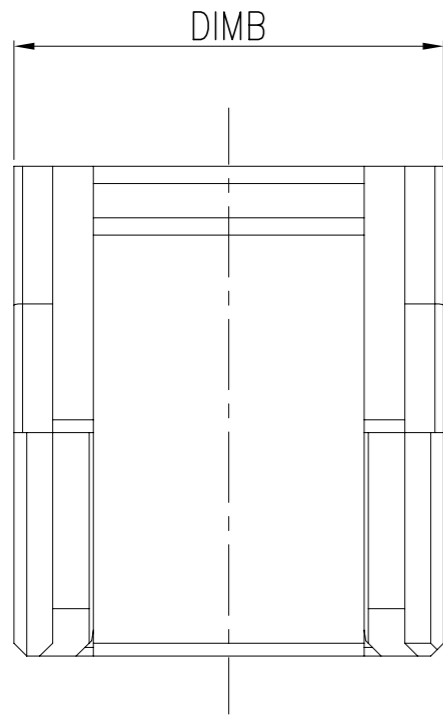
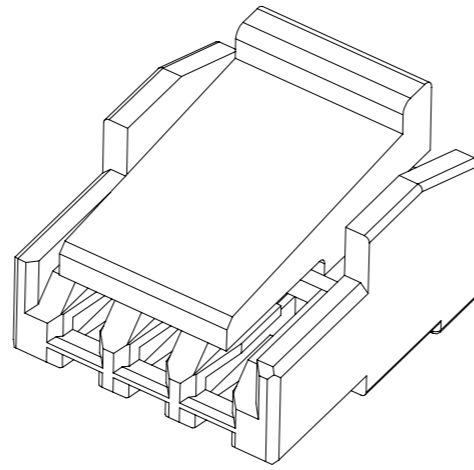
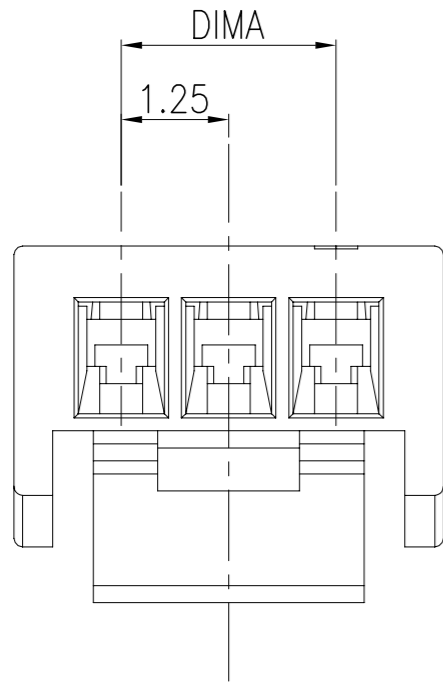


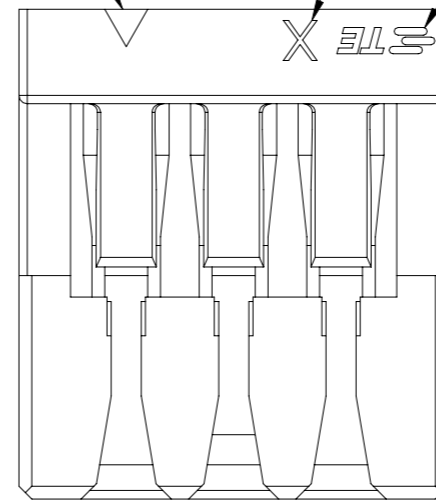
P	LTR	DESCRIPTION	DATE	DWN	APVD
	A1	ECR-21-109497	12APR2021	T.Q	W.H

- NOTES:
- MATERIAL IS HALOGEN FREE PLASTIC, HIGH TEMP, WHITE. UL 94V-0
 - TERMINAL P/N: 2390147-1.
 - MATING PARTS:
VERTICAL TYPE: X-2390138-X
R/A TYPE: X-2390136-X



CIRCUIT NO.1

CAV. LOGO

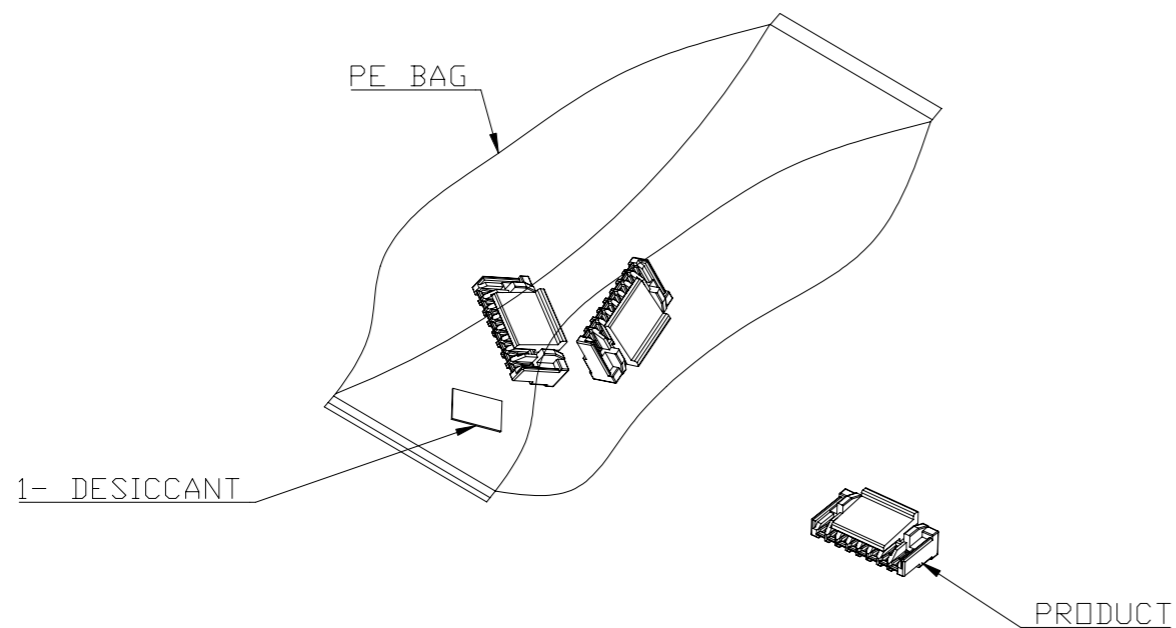


COLOR	DIM B	DIM A	POS	PART NUMBER
BLACK	20.00	17.50	15P	3-2390144-5
	18.75	16.25	14P	3-2390144-4
	17.50	15.00	13P	3-2390144-3
	16.25	13.75	12P	3-2390144-2
	15.00	12.50	11P	3-2390144-1
	13.75	11.25	10P	3-2390144-0
	12.50	10.00	9P	2-2390144-9
	11.25	8.75	8P	2-2390144-8
	10.00	7.50	7P	2-2390144-7
	8.75	6.25	6P	2-2390144-6
	7.50	5.00	5P	2-2390144-5
	6.25	3.75	4P	2-2390144-4
	5.00	2.50	3P	2-2390144-3
	3.75	1.25	2P	2-2390144-2
	NATURAL	20.00	17.50	15P
18.75		16.25	14P	1-2390144-4
17.50		15.00	13P	1-2390144-3
16.25		13.75	12P	1-2390144-2
15.00		12.50	11P	1-2390144-1
13.75		11.25	10P	1-2390144-0
12.50		10.00	9P	2390144-9
11.25		8.75	8P	2390144-8
10.00		7.50	7P	2390144-7
8.75		6.25	6P	2390144-6
7.50		5.00	5P	2390144-5
6.25		3.75	4P	2390144-4
5.00		2.50	3P	2390144-3
3.75		1.25	2P	2390144-2

THIS DRAWING IS A CONTROLLED DOCUMENT.		DWN	Tommy Qian	12APR2021	TE Connectivity						
		CHK	Niki Shi	12APR2021							
		APVD	Niki Shi	12APR2021							
DIMENSIONS: mm 		TOLERANCES UNLESS OTHERWISE SPECIFIED: 0 PLC ± 0.5 1 PLC ± 0.25 2 PLC ± 0.15 3 PLC ± 0.1 4 PLC ± - ANGLES ± 2°		NAME		1.25mm PITCH WTB Conn. CABLE HOUSING					
MATERIAL		FINISH		APPLICATION SPEC		SIZE	CAGE CODE	DRAWING NO	RESTRICTED TO		
NOTE 1		NOTE 2		WEIGHT		A3	00779	C=2390144	-		
CUSTOMER DRAWING						SCALE	N/A	SHEET	1 OF 2	REV	A1

P	LTR	DESCRIPTION	DATE	DWN	APVD
-	-	SEE SHEET 1	-	-	-

1. AFTER QC, PLACE THE PRODUCT INTO THE BAG AS DRAWING SHOWN



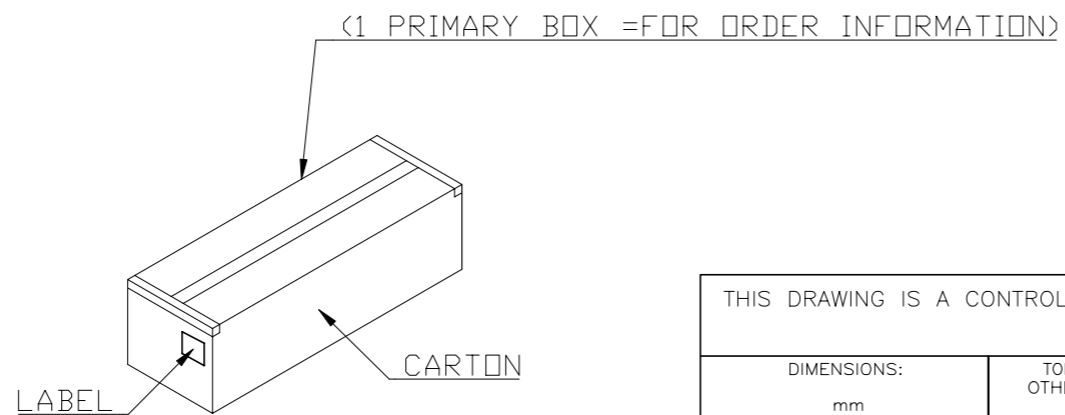
NOTES:

1. STAPLES SHOULD ONLY BE USED TO SET UP CARTON. ALL CARTON CLOSERS MUST BE DONE WITH TAPE.
2. FILL PACKAGING BAG WITH THE QUANTITIES AS INDICATED IN THE CHART.

TABLE:

(S.P.Q)	PARTS PER BOX	PER BAG
20000	20	1000

2. PLACE THE BAGS INTO THE BOX



THIS DRAWING IS A CONTROLLED DOCUMENT.		DWN Tommy Qian 12APR2021	TE Connectivity		
		CHK Niki Shi 12APR2021			
		APVD Niki Shi 12APR2021	NAME		
DIMENSIONS: mm		TOLERANCES UNLESS OTHERWISE SPECIFIED:		PRODUCT SPEC	
		0 PLC ± 0.5 1 PLC ± 0.25 2 PLC ± 0.15 3 PLC ± 0.1 4 PLC ± - ANGLES ± 2°		1.25mm PITCH WTB Conn. CABLE HOUSING	
MATERIAL		FINISH		APPLICATION SPEC	RESTRICTED TO
NOTE 1		NOTE 2		WEIGHT	SIZE
				A3	CAGE CODE
				00779	DRAWING NO
				C=2390144	RESTRICTED TO
				CUSTOMER DRAWING	SCALE
				N/A	SHEET
				2 OF 2	REV
				A1	

Mouser Electronics

Authorized Distributor

Click to View Pricing, Inventory, Delivery & Lifecycle Information:

[TE Connectivity:](#)

[3-2390144-5](#)